



TS3702C,I,M

MICROPOWER DUAL CMOS VOLTAGE COMPARATORS

- PUSH-PULL CMOS OUTPUT (NO EXTERNAL PULL-UP RESISTOR REQUIRED)
- EXTREMELY LOW SUPPLY CURRENT : **9µA typ / comparator**
- WIDE SINGLE SUPPLY RANGE **3V TO 16V** OR DUAL SUPPLIES ($\pm 1.5V$ TO $\pm 8V$)
- EXTREMELY LOW INPUT BIAS CURRENT : **1pA typ**
- EXTREMELY LOW INPUT OFFSET CURRENTS : **1pA typ**
- INPUT COMMON-MODE VOLTAGE RANGE INCLUDES GND
- HIGH INPUT IMPEDANCE : $10^{12}\Omega$ typ
- FAST RESPONSE TIME : 2µs typ for 5mV overdrive
- PIN-TO-PIN AND FUNCTIONALLY COMPATIBLE WITH BIPOLAR LM393

DESCRIPTION

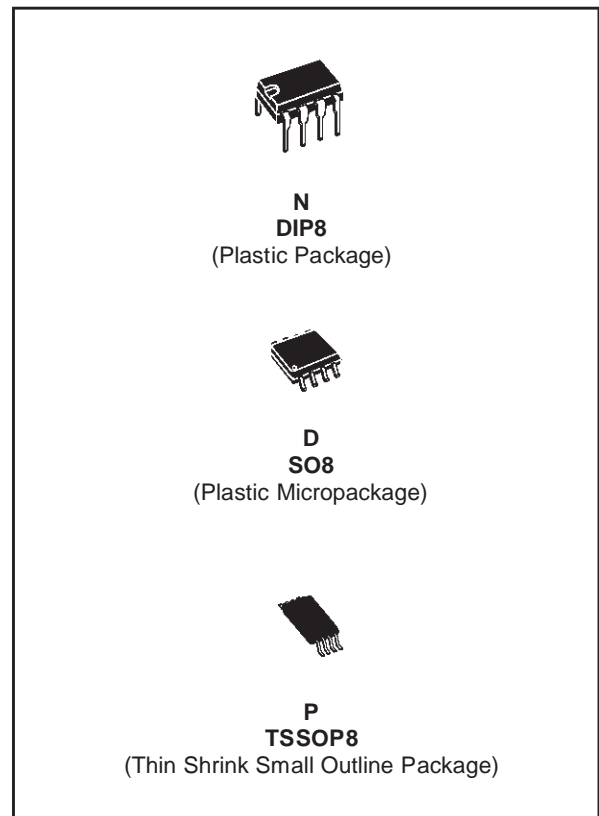
The TS3702 is a micropower CMOS dual voltage comparator with extremely low consumption of 9µA typ / comparator (20 times less than bipolar LM393). The push-pull CMOS output stage allows power and space saving by eliminating the external pull-up resistor required by usual open-collector output comparators.

Thus response times remain similar to the LM393.

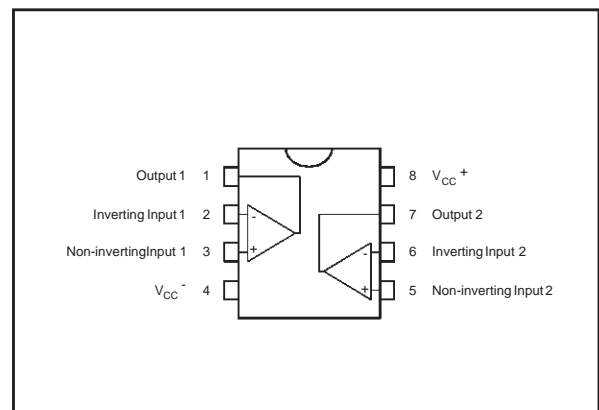
ORDER CODE

Part Number	Temperature Range	Package		
		N	D	P
TS3702C	0°C, +70°C	•	•	•
TS3702I	-40°C, +125°C	•	•	•
TS3702M	-55°C, +125°C	•	•	•

N = Dual in Line Package (DIP)
 D = Small Outline Package (SO) - also available in Tape & Reel (DT)
 P = Thin Shrink Small Outline Package (TSSOP) - only available in Tape & Reel (PT)

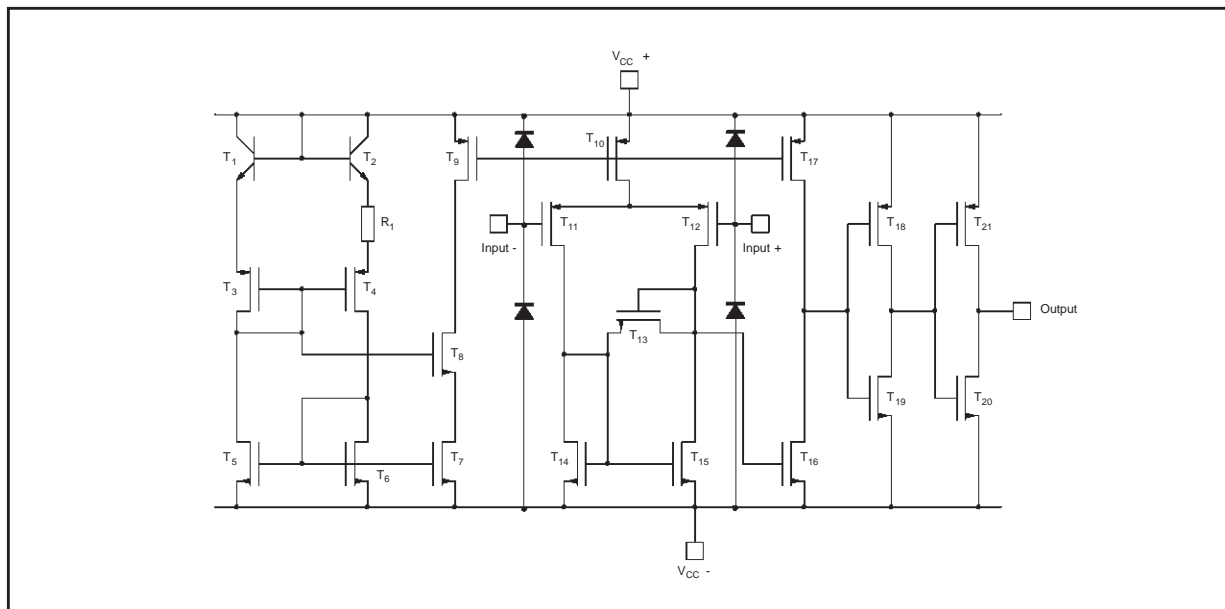


PIN CONNECTIONS (top view)



TS3702C,I,M

SCHEMATIC DIAGRAM (for 1/2 TS3702)



ABSOLUTE MAXIMUM RATINGS

Symbol	Parameter	Value	Unit	
V_{CC}^+	Supply Voltage ¹⁾	18	V	
V_{id}	Differential Input Voltage ²⁾	± 18	V	
V_i	Input Voltage ³⁾	18	V	
V_o	Output Voltage	18	V	
I_o	Output Current	20	mA	
I_F	Forward Current in ESD Protection Diodes on Input ⁴⁾	50	mA	
P_d	Power Dissipation ⁵⁾	DIP8 SO8 TSSOP8	1250 710 625	mW
T_{stg}	Storage Temperature Range	-65 to +150	$^{\circ}\text{C}$	

1. All voltage values, except differential voltage, are with respect to network ground terminal.

2. Differential voltages are the non-inverting input terminal with respect to the inverting input terminal.

3. The magnitude of the input and the output voltages must never exceed the magnitude of the positive supply voltage.

4. Guaranteed by design.

5. P_d is calculated with $T_{amb} = +25^{\circ}\text{C}$, $T_j = +150^{\circ}\text{C}$ and $R_{thja} = 100^{\circ}\text{C/W}$ for DIP8 package
 $= 175^{\circ}\text{C/W}$ for SO8 package
 $= 200^{\circ}\text{C/W}$ for TSSOP8 package

OPERATING CONDITIONS

Symbol	Parameter	Value	Unit
V_{CC}^+	Supply Voltage	TS3702C,I 4 to 16	V
V_{icm}	Common Mode Input Voltage Range	0 to $V_{CC}^+ - 1.5$	V
T_{oper}	Operating Free-Air Temperature range	TS3702C -40 to +125 TS3702I -55 to +125 TS3702M	$^{\circ}\text{C}$

ELECTRICAL CHARACTERISTICS
 $V_{CC}^+ = 5V$, $V_{CC}^- = 0V$, $T_{amb} = 25^\circ C$ (unless otherwise specified)

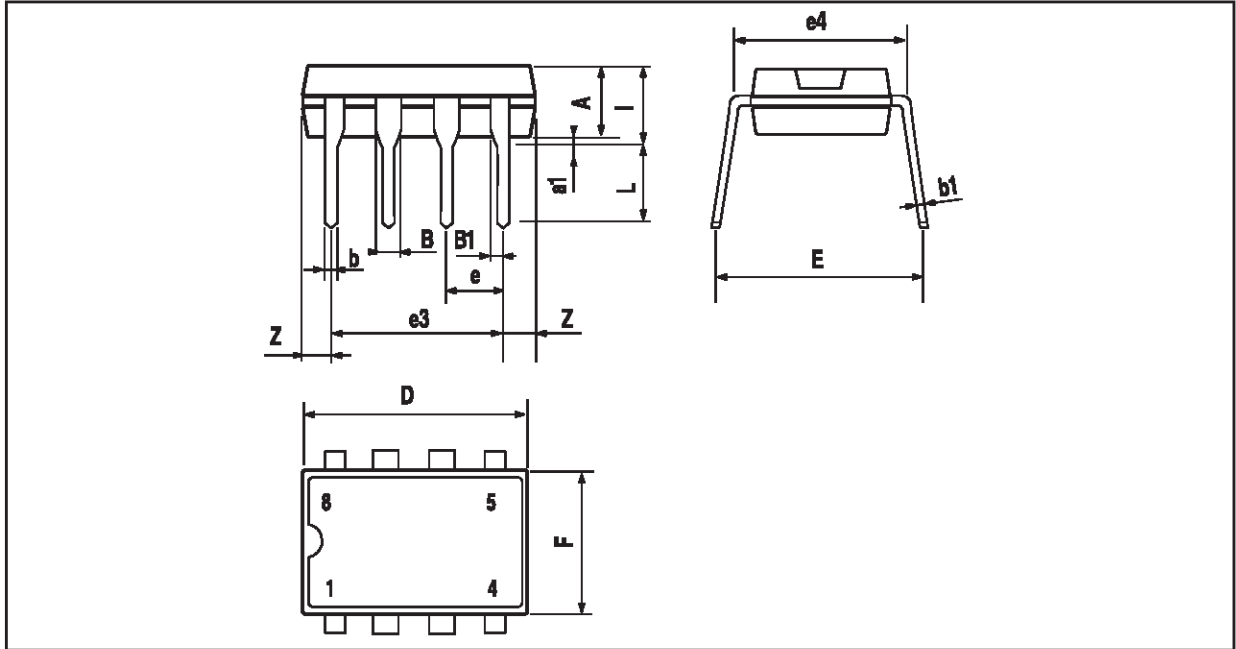
Symbol	Parameter	Min.	Typ.	Max.	Unit
V_{io}	Input Offset Voltage $V_{ic} = V_{icm\ min.}$, $V_{CC}^+ = 5V$ to $10V$ ¹⁾ $T_{min.} \leq T_{amb} \leq T_{max.}$		1.2	5 6.5	mV
I_{io}	Input Offset Voltage ²⁾ $V_{ic} = 2.5V$ $T_{min.} \leq T_{amb} \leq T_{max.}$		1	300	pA
I_{ib}	Input Bias Current (see note 2) $V_{ic} = 2.5V$ $T_{min.} \leq T_{amb} \leq T_{max.}$		1	600	pA
V_{icm}	Input Common Mode Voltage Range $T_{min.} \leq T_{amb} \leq T_{max.}$	0 0		$V_{CC}^+ - 1.2$ $V_{CC}^+ - 1.5$	V
CMR	Common-mode Rejection Ratio $V_{ic} = V_{icm\ min.}$		82		dB
SVR	Supply Voltage Rejection Ratio $V_{CC}^+ = +5V$ to $+10V$		90		dB
V_{OH}	High Level Output Voltage $V_{id} = 1V$, $I_{OH} = -4mA$ $T_{min.} \leq T_{amb} \leq T_{max.}$	4.5 4.3	4.7		V
V_{OL}	Low Level Output Voltage $V_{id} = -1V$, $I_{OL} = 4mA$ $T_{min.} \leq T_{amb} \leq T_{max.}$		200	300 375	mV
I_{CC}	Supply Current (each comparator) No load - Outputs low $T_{min.} \leq T_{amb} \leq T_{max.}$		9	20 25	μA
t_{PLH}	Response Time Low to High $V_{ic} = 0V$, $f = 10kHz$, $C_L = 50pF$, Overdrive = 5mV Overdrive = 10mV Overdrive = 20mV Overdrive = 40mV TTL Input		1.5 1.1 0.9 0.7 0.6		μs
t_{PHL}	Response Time High to Low $V_{ic} = 0V$, $f = 10kHz$, $C_L = 50pF$, Overdrive = 5mV Overdrive = 10mV Overdrive = 20mV Overdrive = 40mV TTL Input		2.2 1.6 1.1 0.75 0.17		μs
t_f	Fall time $f = 10kHz$, $C_L = 50pF$, Overdrive 50mV		30		ns

1. The specified offset voltage is the maximum value required to drive the output up to 4.5V or down to 0.3V.

2. Maximum values including unavoidable inaccuracies of the industrial test.

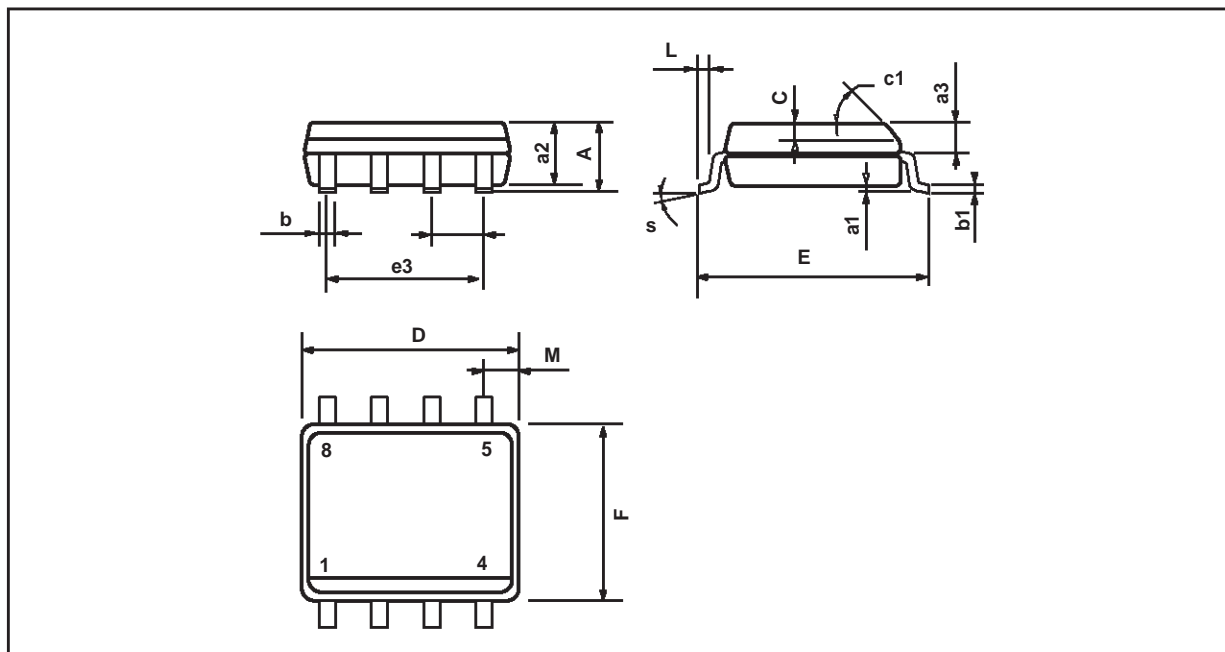
TS3702C,I,M

PACKAGE MECHANICAL DATA
8 PINS - PLASTIC DIP



Dimensions	Millimeters			Inches		
	Min.	Typ.	Max.	Min.	Typ.	Max.
A		3.32			0.131	
a1	0.51			0.020		
B	1.15		1.65	0.045		0.065
b	0.356		0.55	0.014		0.022
b1	0.204		0.304	0.008		0.012
D			10.92			0.430
E	7.95		9.75	0.313		0.384
e		2.54			0.100	
e3		7.62			0.300	
e4		7.62			0.300	
F			6.6			0.260
i			5.08			0.200
L	3.18		3.81	0.125		0.150
Z			1.52			0.060

PACKAGE MECHANICAL DATA
8 PINS - PLASTIC MICROPACKAGE (SO)

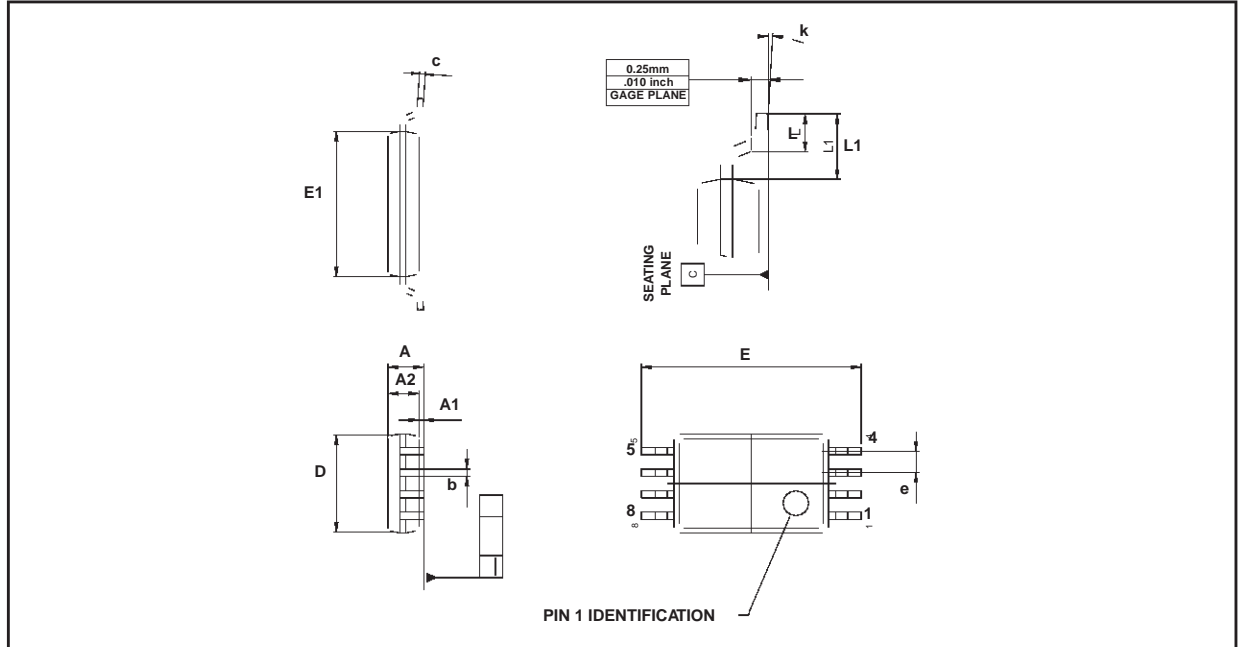


Dimensions	Millimeters			Inches		
	Min.	Typ.	Max.	Min.	Typ.	Max.
A			1.75			0.069
a1	0.1		0.25	0.004		0.010
a2			1.65			0.065
a3	0.65		0.85	0.026		0.033
b	0.35		0.48	0.014		0.019
b1	0.19		0.25	0.007		0.010
C	0.25		0.5	0.010		0.020
c1	45° (typ.)					
D	4.8		5.0	0.189		0.197
E	5.8		6.2	0.228		0.244
e		1.27			0.050	
e3		3.81			0.150	
F	3.8		4.0	0.150		0.157
L	0.4		1.27	0.016		0.050
M			0.6			0.024
S	8° (max.)					

TS3702C,I,M

PACKAGE MECHANICAL DATA

8 PINS - THIN SHRINK SMALL OUTLINE PACKAGE (TSSOP)



Dimensions	Millimeters			Inches		
	Min.	Typ.	Max.	Min.	Typ.	Max.
A			1.20			0.05
A1	0.05		0.15	0.01		0.006
A2	0.80	1.00	1.05	0.031	0.039	0.041
b	0.19		0.30	0.007		0.15
c	0.09		0.20	0.003		0.012
D	2.90	3.00	3.10	0.114	0.118	0.122
E		6.40			0.252	
E1	4.30	4.40	4.50	0.169	0.173	0.177
e		0.65			0.025	
k	0°		8°	0°		8°
l	0.50	0.60	0.75	0.09	0.0236	0.030
L	0.45	0.600	0.75	0.018	0.024	0.030
L1		1.000			0.039	

Information furnished is believed to be accurate and reliable. However, STMicroelectronics assumes no responsibility for the consequences of use of such information nor for any infringement of patents or other rights of third parties which may result from its use. No license is granted by implication or otherwise under any patent or patent rights of STMicroelectronics. Specifications mentioned in this publication are subject to change without notice. This publication supersedes and replaces all information previously supplied. STMicroelectronics products are not authorized for use as critical components in life support devices or systems without express written approval of STMicroelectronics.

© The ST logo is a registered trademark of STMicroelectronics

© 2002 STMicroelectronics - Printed in Italy - All Rights Reserved
STMicroelectronics GROUP OF COMPANIES

Australia - Brazil - Canada - China - Finland - France - Germany - Hong Kong - India - Israel - Italy - Japan - Malaysia
Malta - Morocco - Singapore - Spain - Sweden - Switzerland - United Kingdom - United States

© <http://www.st.com>