

TDA8004T

IC card interface

Rev. 04 — 20 February 2006

Product data sheet

1. General description

The TDA8004T is a complete low cost analog interface for asynchronous smart cards. It can be placed between the card and the microcontroller with very few external components to perform all supply protection and control functions.

2. Features

- 3 V or 5 V supply for the IC (GND and V_{DD})
- Step-up converter for V_{CC} generation (separately powered with a $5\text{ V} \pm 10\%$ supply, V_{DDP} and PGND)
- 3 specific protected half duplex bidirectional buffered I/O lines (C4, C7 and C8)
- V_{CC} regulation $5\text{ V} \pm 5\%$ on $2 \times 100\text{ nF}$ or $1 \times 100\text{ nF}$ and $1 \times 220\text{ nF}$ multilayer ceramic capacitors with low Equivalent Series Resistance (ESR), $I_{CC} < 65\text{ mA}$ at $4.5\text{ V} < V_{DDP} < 6.5\text{ V}$, current spikes of 40 nAs up to 20 MHz, with controlled rise and fall times, filtered overload detection approximately 90 mA)
- Thermal and short-circuit protections on all card contacts
- Automatic activation and deactivation sequences (initiated by software or by hardware in the event of a short-circuit, card take-off, overheating or supply drop-out)
- Enhanced ElectroStatic Discharge (ESD) protection on card side ($> 6\text{ kV}$)
- 26 MHz integrated crystal oscillator
- Clock generation for the card up to 20 MHz (divided by 1, 2, 4 or 8 through CLKDIV1 and CLKDIV2 signals)
- Non-inverted control of RST via pin RSTIN
- ISO 7816, GSM11.11 and EMV (payment systems) compatibility
- Supply supervisor for spikes killing during power-on and power-off
- One multiplexed status signal $\overline{\text{OFF}}$

3. Applications

- IC card readers for banking
- Electronic payment
- Identification
- Pay TV

PHILIPS

4. Quick reference data

Table 1. Quick reference data

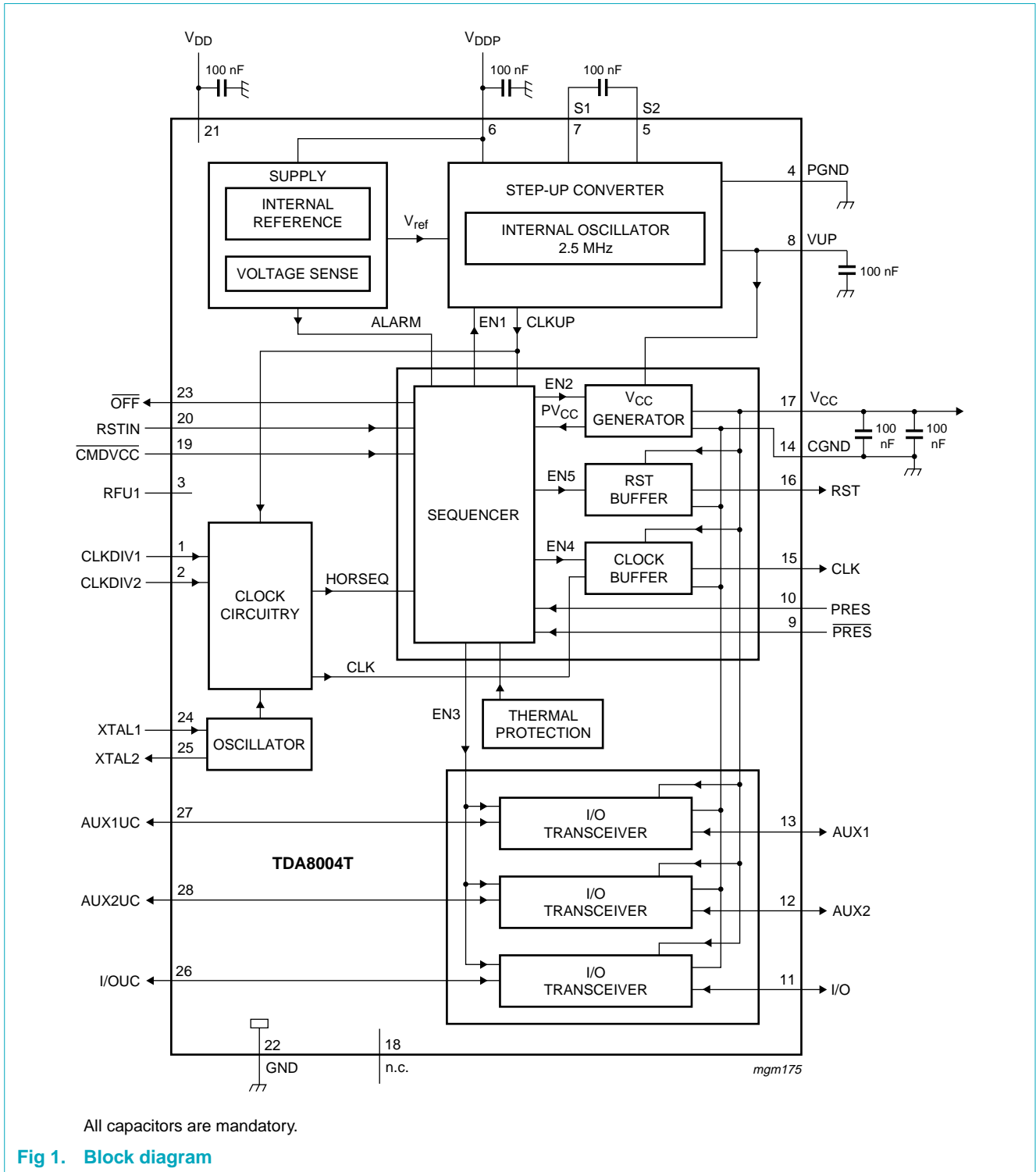
Symbol	Parameter	Conditions	Min	Typ	Max	Unit
Supplies						
V_{DD}	supply voltage		2.7	-	6.5	V
V_{DDP}	supply voltage for the step-up converter		4.5	5	6.5	V
I_{DD}	supply current	inactive mode; $V_{DD} = 3.3$ V; $f_{XTAL} = 10$ MHz	-	-	1.2	mA
		active mode; $V_{DD} = 3.3$ V; $f_{XTAL} = 10$ MHz; $C_L = 30$ pF	-	-	1.5	mA
I_{DDP}	supply current for the step-up converter	inactive mode; $V_{DDP} = 5$ V; $f_{XTAL} = 10$ MHz	-	-	0.1	mA
		active mode; $V_{DDP} = 5$ V; $f_{XTAL} = 10$ MHz; $I_{CC} = 0$ mA	-	-	18	mA
Card supply						
V_{CC}	output (card supply) voltage including ripple	active mode; $ I_{CC} < 65$ mA DC	4.75	-	5.25	V
		active mode; current pulses of 40 nAs with $ I_{CC} < 200$ mA; $t < 400$ ns	4.65	-	5.25	V
$V_{i(ripple)(p-p)}$	ripple voltage on V_{CC} (peak-to-peak value)	from 20 kHz to 200 MHz	-	-	350	mV
$ I_{CC} $	output (card supply) current	V_{CC} from 0 V to 5 V	-	-	65	mA
General						
f_{CLK}	card clock frequency		0	-	20	MHz
t_{de}	deactivation sequence duration		60	80	100	μ s
P_{tot}	continuous total power dissipation	$T_{amb} = -25$ °C to $+85$ °C	-	-	0.56	W
T_{amb}	ambient temperature		-25	-	+85	°C

5. Ordering information

Table 2. Ordering information

Type number	Package		Version
	Name	Description	
TDA8004T	SO28	plastic small outline package; 28 leads; body width 7.5 mm	SOT136-1

6. Block diagram



7. Pinning information

7.1 Pinning

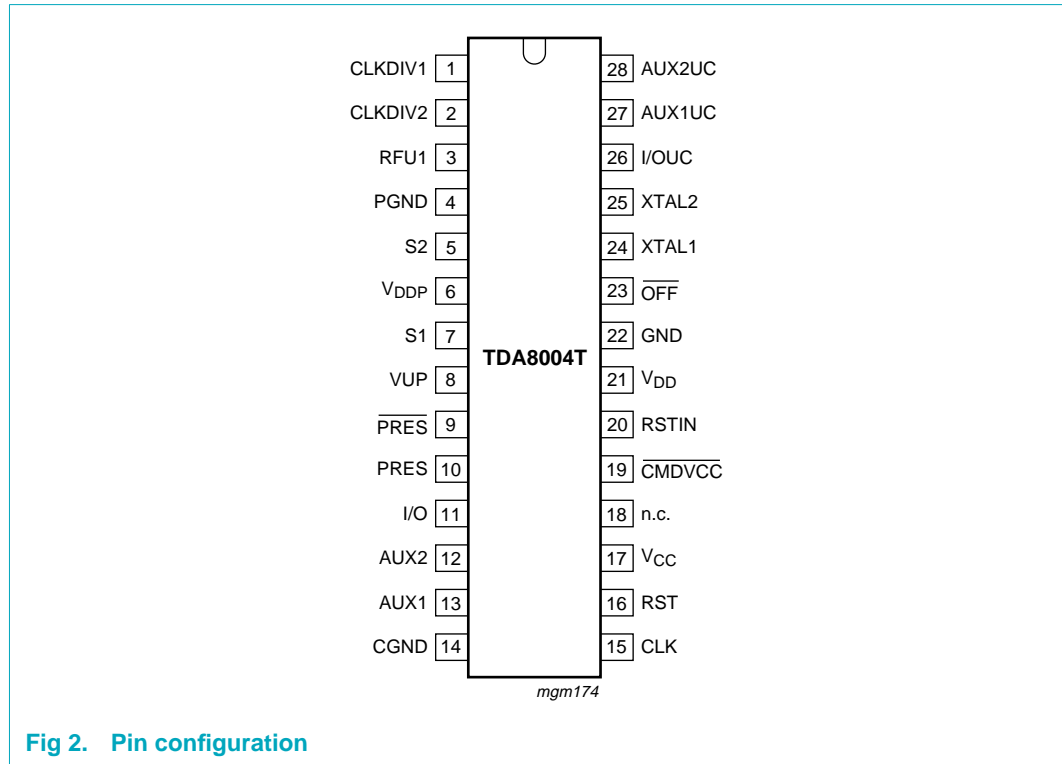


Fig 2. Pin configuration

7.2 Pin description

Table 3. Pin description

Symbol	Pin	Type	Description
CLKDIV1	1	I	control with CLKDIV2 for choosing CLK frequency
CLKDIV2	2	I	control with CLKDIV1 for choosing CLK frequency
RFU1	3	I	reserved for future use (to be connected to V _{DD} or microcontroller I/O; active HIGH)
PGND	4	supply	power ground for step-up converter
S2	5	I/O	capacitance connection for step-up converter (a 100 nF capacitor with ESR < 100 mΩ must be connected between pins S1 and S2)
V _{DDP}	6	supply	power supply voltage for step-up converter
S1	7	I/O	capacitance connection for step-up converter (a 100 nF capacitor with ESR < 100 mΩ must be connected between pins S1 and S2)
VUP	8	I/O	output of step-up converter (a 100 nF capacitor with ESR < 100 mΩ must be connected to PGND)
PRES	9	I	card presence contact input (active LOW); if PRES or $\overline{\text{PRES}}$ is true, then the card is considered as present

Table 3. Pin description ...continued

Symbol	Pin	Type	Description
PRES	10	I	card presence contact input (active HIGH); if PRES or $\overline{\text{PRES}}$ is true, then the card is considered as present
I/O	11	I/O	data line to and from card (C7) (internal 10 k Ω pull-up resistor connected to V _{CC})
AUX2	12	I/O	auxiliary line to and from card (C8) (internal 10 k Ω pull-up resistor connected to V _{CC})
AUX1	13	I/O	auxiliary line to and from card (C4) (internal 10 k Ω pull-up resistor connected to V _{CC})
CGND	14	supply	ground for card signals
CLK	15	O	clock to card (C3)
RST	16	O	card reset (C2)
V _{CC}	17	O	supply for card (C1); decouple to CGND with 2 × 100 nF or 1 × 100 nF and 1 × 220 nF capacitors with ESR < 100 m Ω (with 220 nF, the noise margin on V _{CC} will be higher)
n.c.	18	-	not connected
$\overline{\text{CMDVCC}}$	19	I	start activation sequence input from microcontroller (active LOW)
RSTIN	20	I	card reset input from microcontroller (active HIGH)
V _{DD}	21	supply	supply voltage
GND	22	supply	ground
$\overline{\text{OFF}}$	23	O	NMOS interrupt to microcontroller (active LOW) with 20 k Ω internal pull-up resistor connected to V _{DD} (refer to Section 8.9)
XTAL1	24	I	crystal connection or input for external clock
XTAL2	25	O	crystal connection (leave open if an external clock source is used)
I/OUC	26	I/O	microcontroller data I/O line (internal 10 k Ω pull-up resistor connected to V _{DD})
AUX1UC	27	I/O	auxiliary line to and from microcontroller (internal 10 k Ω pull-up resistor connected to V _{DD})
AUX2UC	28	I/O	auxiliary line to and from microcontroller (internal 10 k Ω pull-up resistor connected to V _{DD})

8. Functional description

Throughout this document, it is assumed that the reader is familiar with ISO 7816 norm terminology.

8.1 Power supply

The supply pins for the IC are V_{DD} and GND. V_{DD} should be in the range from 2.7 V to 6.5 V. All interface signals with the system controller are referenced to V_{DD}; so, be sure the supply voltage of the system controller is also V_{DD}. All card contacts remain inactive during powering up or powering down. The sequencer is not activated until V_{DD} reaches V_{th2} + V_{hys(th2)} (see [Figure 3](#)). When V_{DD} falls below V_{th2}, an automatic deactivation of the contacts is performed.

For generating a $5\text{ V} \pm 5\%$ V_{CC} supply to the card, an integrated voltage doubler is incorporated. This step-up converter should be separately supplied by V_{DDP} and PGND (from 4.5 V to 6.5 V). Due to large transient currents, the $2 \times 100\text{ nF}$ capacitors of the step-up converter should have an ESR less than $100\text{ m}\Omega$ and be located as near as possible to the IC.

The supply voltages V_{DD} and V_{DDP} may be applied to the IC in any time sequence.

8.2 Voltage supervisor

This block surveys the V_{DD} supply. A defined reset pulse of approximately 10 ms (t_W) is used internally for maintaining the IC in the inactive mode during powering up or powering down of V_{DD} (see [Figure 3](#)).

As long as V_{DD} is less than $V_{th2} + V_{hys(th2)}$, the IC will remain inactive whatever the levels on the command lines. This also lasts for the duration of t_W after V_{DD} has reached a level higher than $V_{th2} + V_{hys(th2)}$.

The system controller should not try to start an activation during this time.

When V_{DD} falls below V_{th2} , a deactivation sequence of the contacts is performed.

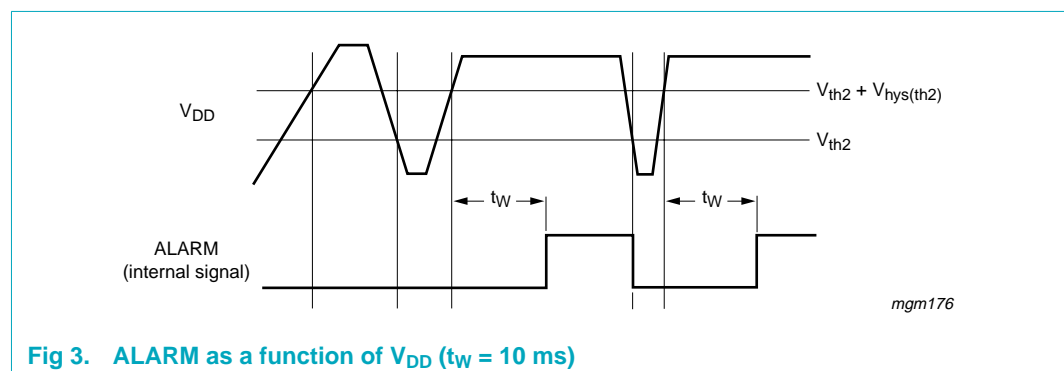


Fig 3. ALARM as a function of V_{DD} ($t_W = 10\text{ ms}$)

8.3 Clock circuitry

The clock signal (CLK) to the card is either derived from a clock signal input on pin XTAL1 or from a crystal up to 26 MHz connected between pins XTAL1 and XTAL2.

The frequency may be chosen at f_{XTAL} , $\frac{1}{2}f_{XTAL}$, $\frac{1}{4}f_{XTAL}$ or $\frac{1}{8}f_{XTAL}$ via pins CLKDIV1 and CLKDIV2 (see [Table 4](#)).

The frequency change is synchronous, which means that during transition, no pulse is shorter than 45 % of the smallest period and that the first and last clock pulse around the change has the correct width.

In the case of f_{XTAL} , the duty factors are dependent on the signal at XTAL1.

In order to reach a 45 % to 55 % duty factor on pin CLK the input signal on XTAL1 should have a duty factor of 48 % to 52 % and transition times of less than 5 % of the input signal period.

If a crystal is used with f_{XTAL} , the duty factor on pin CLK may be 45 % to 55 % depending on the layout and on the crystal characteristics and frequency.

In the other cases, it is guaranteed between 45 % and 55 % of the period.

The crystal oscillator runs as soon as the IC is powered up. If the crystal oscillator is used, or if the clock pulse on XTAL1 is permanent, then the clock pulse will be applied to the card according to the timing diagram of the activation sequence (see [Figure 5](#)).

If the signal applied to XTAL1 is controlled by the system controller, then the clock pulse will be applied to the card when the system controller will send it (after completion of the activation sequence).

Table 4. Clock circuitry definition

CLKDIV1	CLKDIV2	CLK
0	0	$\frac{1}{8}f_{XTAL}$
0	1	$\frac{1}{4}f_{XTAL}$
1	1	$\frac{1}{2}f_{XTAL}$
1	0	f_{XTAL}

8.4 I/O circuitry

The three data lines I/O, AUX1 and AUX2 are identical.

The Idle state is realized by both lines (I/O and I/OUC) being pulled HIGH via a 10 k Ω resistor (I/O to V_{CC} and I/OUC to V_{DD}).

I/O is referenced to V_{CC} and I/OUC to V_{DD} , thus allowing operation with $V_{CC} \neq V_{DD}$.

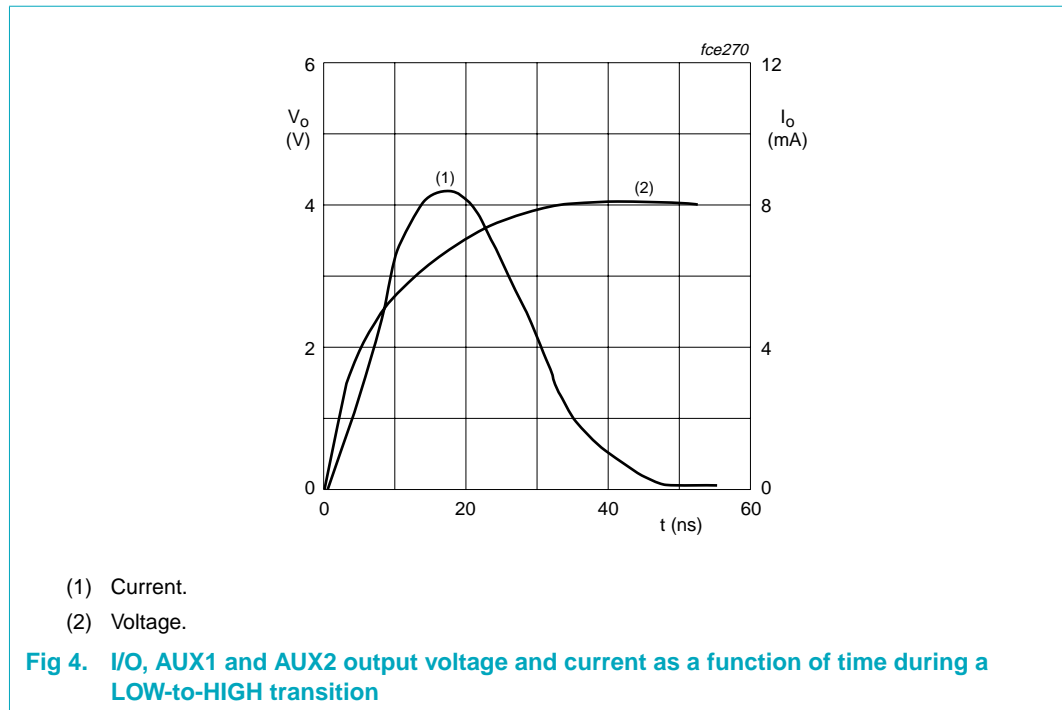
The first side on which a falling edge occurs becomes the master. An anti-latch circuit disables the detection of falling edges on the other line, which becomes a slave.

After a time delay $t_{d(edge)}$ (approximately 200 ns), the N transistor on the slave side is turned on, thus transmitting the logic 0 present on the master side.

When the master side returns to logic 1, the P transistor on the slave side is turned on during the time delay $t_{d(edge)}$ and then both sides return to their Idle states.

This active pull-up feature ensures fast LOW-to-HIGH transitions; it is able to deliver more than 1 mA up to an output voltage of $0.9V_{CC}$ on a 80 pF load. At the end of the active pull-up pulse, the output voltage only depends on the internal pull-up resistor and on the load current (see [Figure 4](#)).

The maximum frequency on these lines is 1 MHz.



8.5 Inactive state

After power-on reset, the circuit enters the inactive state. A minimum number of circuits are active while waiting for the microcontroller to start a session:

- All card contacts are inactive (approximately 200 Ω to GND)
- I/OUC, AUX1UC and AUX2UC are high impedance (10 k Ω pull-up resistor connected to V_{DD})
- Voltage generators are stopped
- XTAL oscillator is running
- Voltage supervisor is active

8.6 Activation sequence

After power-on and after the internal pulse width delay, the system controller may check the presence of the card with the signal $\overline{\text{OFF}}$ ($\overline{\text{OFF}} = \text{HIGH}$ while $\overline{\text{CMDVCC}}$ is HIGH means that the card is present; $\overline{\text{OFF}} = \text{LOW}$ while $\overline{\text{CMDVCC}}$ is HIGH means that no card is present).

If the card is in the reader (which is the case if $\overline{\text{PRES}}$ or PRES is true), the system controller may start a card session by pulling $\overline{\text{CMDVCC}}$ LOW.

The following sequence then occurs (see [Figure 5](#)):

- $\overline{\text{CMDVCC}}$ is pulled LOW (t_0)
- The voltage doubler is started ($t_1 \sim t_0$)
- V_{CC} rises from 0 V to 5 V with a controlled slope ($t_2 = t_1 + \frac{1}{2}3T$) (I/O, AUX1 and AUX2 follow V_{CC} with a slight delay)

- I/O, AUX1 and AUX2 are enabled ($t_3 = t_1 + 4T$)
- CLK is applied to the C3 contact (t_4)
- RST is enabled ($t_5 = t_1 + 7T$)

In the timing informations above and below, T is 64 times the period of the internal oscillator, about 25 μs .

The clock may be applied to the card in the following way:

- Set RSTIN HIGH before setting $\overline{\text{CMDVCC}}$ LOW and reset it LOW between t_3 and t_5 ; CLK will start at this moment. RST will remain LOW until t_5 , where RST is enabled to be the copy of RSTIN. After t_5 , RSTIN has no further action on CLK. This is to allow a precise count of CLK pulses before toggling RST.

If this feature is not needed, then $\overline{\text{CMDVCC}}$ may be set LOW with RSTIN LOW. In this case, CLK will start at t_3 and after t_5 , RSTIN may be set HIGH in order to get the Answer To Request (ATR) from the card.

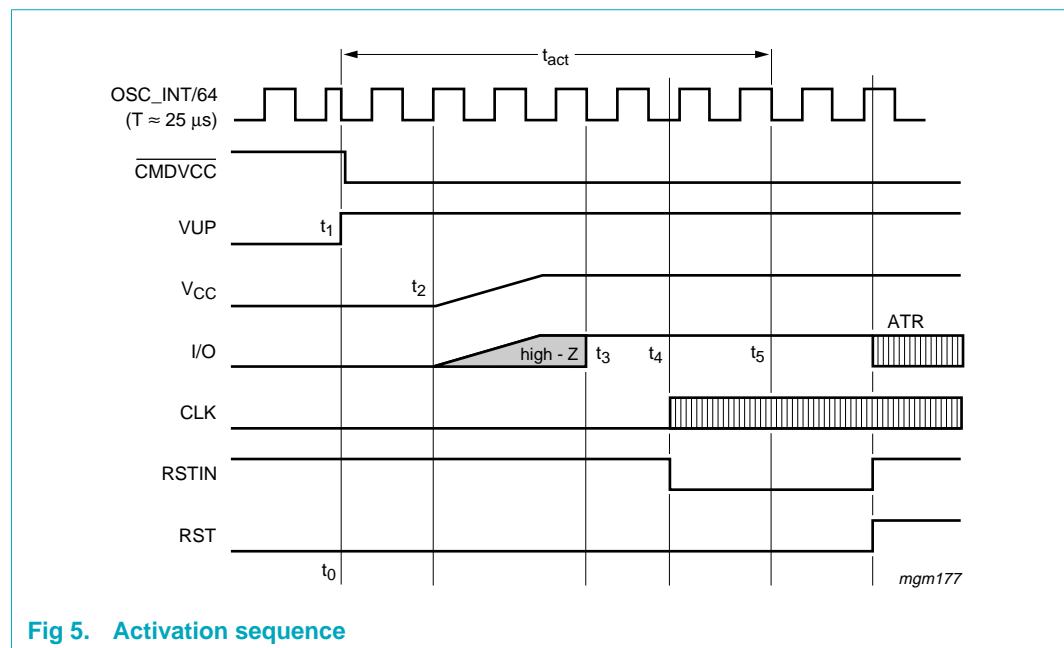


Fig 5. Activation sequence

8.7 Active state

When the activation sequence is completed, the TDA8004T will be in the active state. Data is exchanged between the card and the microcontroller via the I/O lines. The TDA8004T is designed for cards without V_{PP} (this is the voltage required to program or erase the internal non-volatile memory).

Depending on the layout and on the application test conditions (for example with an additional 1 pF cross capacitance between C2/C3 and C2/C7) it is possible that C2 is polluted with high frequency noise from C3. In this case, it will be necessary to connect a 220 pF capacitance between C2 and CGND.

It is recommended to:

1. Keep track C3 as far as possible from other tracks

2. Have straight connection between CGND and C5 (the 2 capacitors on C1 should be connected to this ground track)
3. Avoid ground loops between CGND, PGND and GND
4. Decouple V_{DDP} and V_{DD} separately; if the 2 supplies are the same in the application, then they should be connected in star on the main track

With all these layout precautions, noise should be at an acceptable level and jitter on C3 should be less than 100 ps. Refer to "Application Note AN97036" for specimen layouts

8.8 Deactivation sequence

When a session is completed, the microcontroller sets the $\overline{\text{CMDVCC}}$ line to the HIGH state. The circuit then executes an automatic deactivation sequence by counting the sequencer back and ends in the inactive state (see Figure 6):

- RST goes LOW $\rightarrow (t_{11} = t_{10})$
- CLK is stopped LOW $\rightarrow (t_{12} = t_{11} + \frac{1}{2}T)$
- I/O, AUX1 and AUX2 are output into high-impedance state $\rightarrow (t_{13} = t_{11} + T)$; 10 k Ω pull-up resistor connected to V_{CC}
- V_{CC} falls to zero $\rightarrow (t_{14} = t_{11} + \frac{1}{2}3T)$; the deactivation sequence is completed when V_{CC} reaches its inactive state
- VUP falls to zero $\rightarrow (t_{15} = t_{11} + 5T)$ and all card contacts become low-impedance to GND; I/OUC, AUX1UC and AUX2UC remain pulled up to V_{DD} via a 10 k Ω resistor

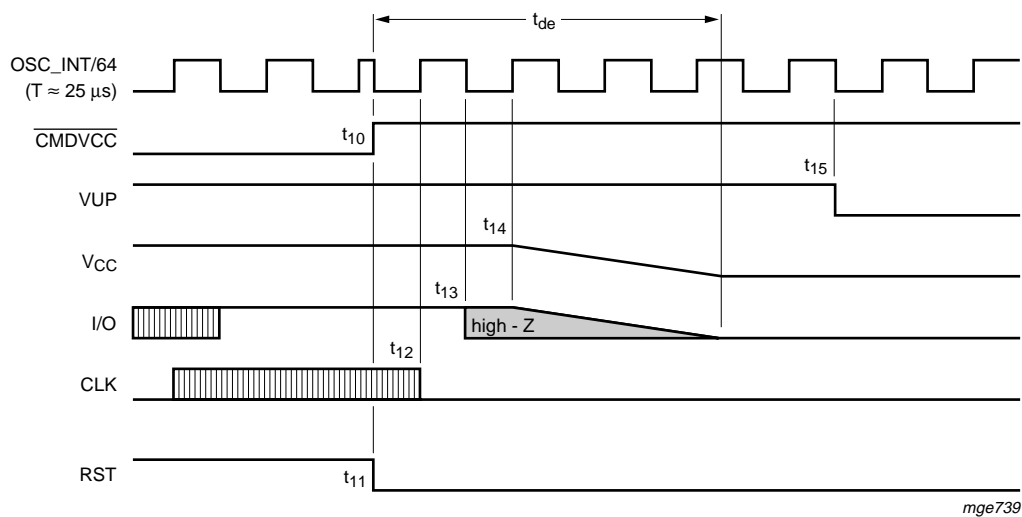


Fig 6. Deactivation sequence

8.9 Fault detection

The following fault conditions are monitored by the circuit:

- Short-circuit or high current on V_{CC}
- Removing card during transaction
- V_{DD} drooping

- Overheating

There are two different cases (see [Figure 7](#)):

1. $\overline{\text{CMDVCC}}$ HIGH: (outside a card session) then, $\overline{\text{OFF}}$ is LOW if the card is not in the reader and HIGH if the card is in the reader. A supply voltage drop on V_{DD} is detected by the supply supervisor, generates an internal power-on reset pulse, but don't act upon $\overline{\text{OFF}}$. The card is not powered-up, so no short-circuit or overheating is detected.
2. $\overline{\text{CMDVCC}}$ LOW: (within a card session) then, $\overline{\text{OFF}}$ falls LOW if the card is extracted, or if a short-circuit has occurred on V_{CC} , or if the temperature on the IC has become too high. As soon as the fault is detected, an emergency deactivation is automatically performed (see [Figure 8](#)).

When the system controller sets $\overline{\text{CMDVCC}}$ back to HIGH, it may sense $\overline{\text{OFF}}$ again in order to distinguish between a hardware problem or a card extraction. If a supply voltage drop on V_{DD} is detected whilst the card is activated, then an emergency deactivation will be performed, but $\overline{\text{OFF}}$ remains HIGH.

Depending on the type of card presence switch within the connector (normally closed or normally open) and on the mechanical characteristics of the switch, a bouncing may occur on presence signals at card insertion or withdrawal.

There is no debounce feature in the device, so the software has to take it into account; however, the detection of card take off during active phase, which initiates an automatic deactivation sequence is done on the first true/false transition on $\overline{\text{PRES}}$ or $\overline{\text{PRES}}$ and is memorized until the system controller sets $\overline{\text{CMDVCC}}$ HIGH.

So, the software may take some time waiting for presence switches to be stabilized without causing any delay on the necessary fast and normalized deactivation sequence.

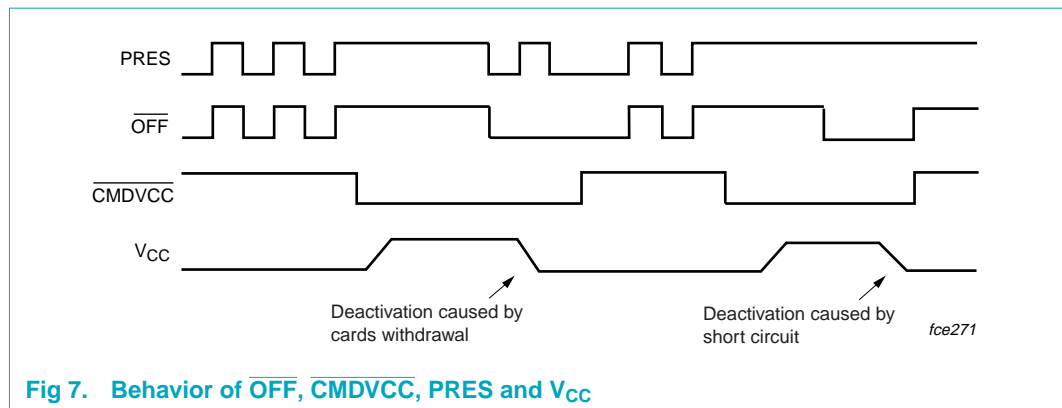


Fig 7. Behavior of $\overline{\text{OFF}}$, $\overline{\text{CMDVCC}}$, $\overline{\text{PRES}}$ and V_{CC}

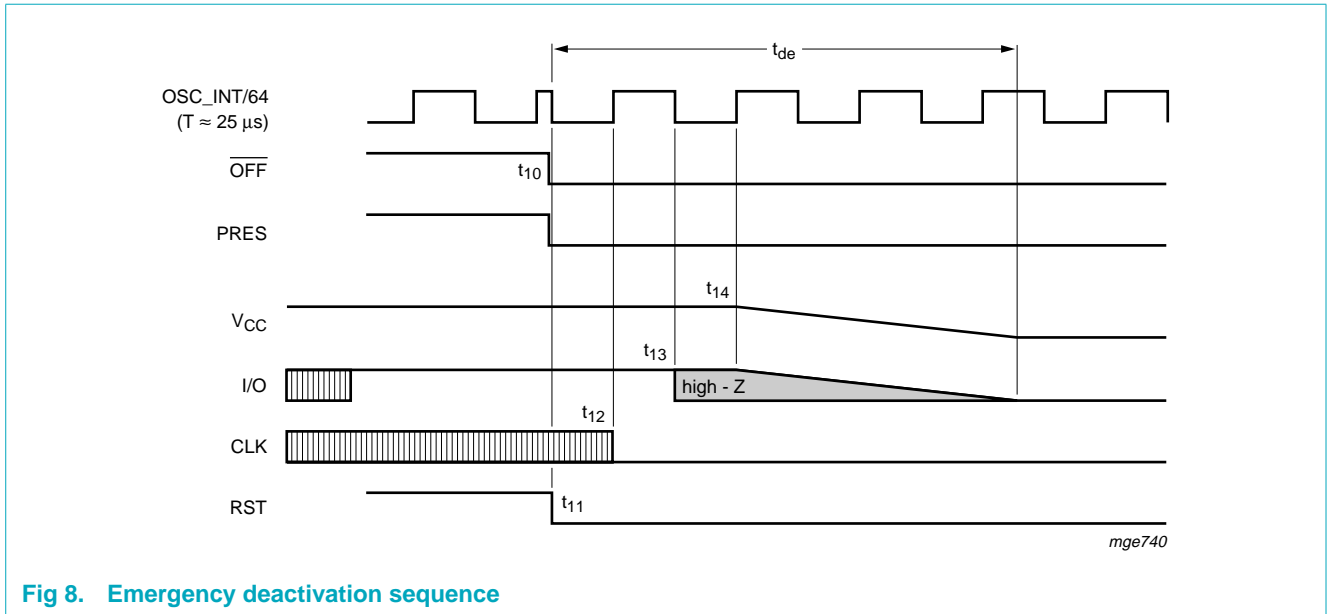


Fig 8. Emergency deactivation sequence

8.10 V_{CC} regulator

V_{CC} buffer is able to deliver up to 65 mA continuously. It has an internal overload detection at approximately 90 mA.

This detection is internally filtered, allowing spurious current pulses up to 200 mA to be drawn by the card without causing a deactivation (the average current value must stay below 65 mA).

For V_{CC} accuracy reasons, a 100 nF capacitor with ESR < 100 mΩ should be tied to CGND near pin 17 and a 100 nF (or better 220 nF) with same ESR should be tied to CGND near C1 contact.

9. Limiting values

Table 5. Limiting values

In accordance with the Absolute Maximum Rating System (IEC 60134).^[1]

Symbol	Parameter	Conditions	Min	Max	Unit
V _{DD} , V _{DDP}	supply voltage		-0.3	+7	V
V _{n1}	voltage on pins: XTAL1, XTAL2, RFU1, RSTIN, AUX2UC, AUX1UC, I/OUC, CLKDIV1, CLKDIV2, CMDVCC and OFF		-0.3	+7	V
V _{n2}	voltage on card contact pins PRES, PRES, I/O, RST, AUX1, AUX2 and CLK		-0.3	+7	V
V _{n3}	voltage on pin VUP, S1 and S2		-	9	V
T _{stg}	IC storage temperature		-55	+125	°C
P _{tot}	continuous total power dissipation	T _{amb} = -25 °C to +85 °C	-	0.56	W

Table 5. Limiting values ...continuedIn accordance with the Absolute Maximum Rating System (IEC 60134).^[1]

Symbol	Parameter	Conditions	Min	Max	Unit
T_j	junction temperature		-	150	°C
V_{es1}	electrostatic voltage on pins: I/O, RST, V_{CC} , AUX1, CLK, AUX2, PRES and PRES		-6	+6	kV
V_{es2}	electrostatic voltage on all other pins		-2	+2	kV

[1] All card contacts are protected against any short with any other card contact.

10. Thermal characteristics

Table 6. Thermal characteristics

Symbol	Parameter	Conditions	Typ	Unit
$R_{th(j-a)}$	thermal resistance from junction to ambient	in free air	70	K/W

11. Characteristics

Table 7. Characteristics

$V_{DD} = 3.3$ V; $V_{DDP} = 5$ V; $T_{amb} = 25$ °C; all parameters remain within limits but are only statistically tested for the temperature range; $f_{XTAL} = 10$ MHz; unless otherwise specified; all currents flowing into the IC are positive. When a parameter is specified as a function of V_{DD} or V_{CC} , it means their actual value at the moment of measurement.

Symbol	Parameter	Conditions	Min	Typ	Max	Unit
General						
f_{CLK}	card clock frequency		0	-	20	MHz
P_{tot}	continuous total power dissipation	$T_{amb} = -25$ °C to +85 °C	-	-	0.56	W
T_{amb}	ambient temperature		-25	-	+85	°C
Supplies						
V_{DD}	supply voltage		2.7	-	6.5	V
V_{DDP}	supply voltage for the step-up converter		4.5	5	6.5	V
$V_{o(VUP)}$	output voltage on pin VUP from step-up converter		-	5.5	-	V
$V_{i(VUP)}$	input voltage to be applied on VUP in order to block the step-up converter		7	-	9	V
I_{DD}	supply current	inactive mode	-	-	1.2	mA
		active mode; $f_{CLK} = f_{XTAL}$; $C_L = 30$ pF	-	-	1.5	mA

Table 7. Characteristics ...continued

$V_{DD} = 3.3$ V; $V_{DDP} = 5$ V; $T_{amb} = 25$ °C; all parameters remain within limits but are only statistically tested for the temperature range; $f_{XTAL} = 10$ MHz; unless otherwise specified; all currents flowing into the IC are positive. When a parameter is specified as a function of V_{DD} or V_{CC} , it means their actual value at the moment of measurement.

Symbol	Parameter	Conditions	Min	Typ	Max	Unit
I_{DDP}	supply current for the step-up converter	inactive mode	-	-	0.1	mA
		active mode; $f_{CLK} = f_{XTAL}$; $C_L = 30$ pF	-	-		
		$I_{CC} = 0$ mA	-	-	18	mA
		$I_{CC} = 65$ mA	-	-	150	mA
V_{th2}	threshold voltage on V_{DD} (falling)		2.2	-	2.4	V
$V_{hys(th2)}$	hysteresis on V_{th2}		50	-	150	mV
t_W	width of the internal ALARM pulse		6	-	20	ms

Card supply voltage (V_{CC})^[1]

V_{CC}	output (card supply) voltage including ripple	inactive mode	-0.1	-	+0.1	V
		inactive mode; $I_{CC} = 1$ mA	-0.1	-	+0.4	V
		active mode; $ I_{CC} < 65$ mA DC	4.75	-	5.25	V
		active mode; single current pulse of -100 mA; 2 μ s	4.65	-	5.25	V
		active mode; current pulses of 40 nAs with $ I_{CC} < 200$ mA; $t < 400$ ns	4.65	-	5.25	V
$V_{i(ripple)(p-p)}$	ripple voltage on V_{CC} (peak-to-peak value)	from 20 kHz to 200 MHz	-	-	350	mV
$ I_{CC} $	output (card supply) current	from 0 V to 5 V;	-	-	65	mA
		V_{CC} short-circuit to ground	-	-	120	mA
SR	slew rate	up	0.09	0.18	0.27	V/ μ s
		down	0.09	0.21	0.27	V/ μ s

Crystal connections (XTAL1 and XTAL2)

C_{ext}	external capacitance on XTAL1 and XTAL2	depending on specification of crystal or resonator used	-	-	15	pF
$f_{i(XTAL)}$	crystal input frequency		2	-	26	MHz
$V_{IH(XTAL)}$	HIGH-level input voltage on XTAL1		$0.8V_{DD}$	-	$V_{DD} + 0.2$	V
$V_{IL(XTAL)}$	LOW-level input voltage on XTAL1		-0.3	-	$0.2V_{DD}$	V

Data lines (I/O, I/OUC, AUX1, AUX2, AUXUC1 and AUXUC2)**General**

$t_{d(edge)}$	delay between falling edge on pins I/OUC and I/O (or I/O and I/OUC) and width of active pull-up pulse		-	200	-	ns
---------------	---	--	---	-----	---	----

Table 7. Characteristics ...continued

$V_{DD} = 3.3\text{ V}$; $V_{DDP} = 5\text{ V}$; $T_{amb} = 25\text{ °C}$; all parameters remain within limits but are only statistically tested for the temperature range; $f_{XTAL} = 10\text{ MHz}$; unless otherwise specified; all currents flowing into the IC are positive. When a parameter is specified as a function of V_{DD} or V_{CC} , it means their actual value at the moment of measurement.

Symbol	Parameter	Conditions	Min	Typ	Max	Unit
$f_{I/O(max)}$	maximum frequency on data lines		-	-	1	MHz
C_i	input capacitance on data lines		-	-	10	pF
Data lines; I/O, AUX1 and AUX2 (with 10 kΩ pull-up resistor connected to V_{CC})						
V_{OH}	HIGH-level output voltage on data lines	no DC load	$0.9V_{CC}$	-	$V_{CC} + 0.1$	V
		$I_{OH} = -40\text{ }\mu\text{A}$	$0.75V_{CC}$	-	$V_{CC} + 0.1$	V
V_{OL}	LOW-level output voltage on data lines	$I_{OL} = 1\text{ mA}$	-	-	300	mV
V_{IH}	HIGH-level input voltage on data lines		1.8	-	$V_{CC} + 0.3$	V
V_{IL}	LOW-level input voltage on data lines		-0.3	-	+0.8	V
$V_{inactive}$	voltage on data lines outside a session	no load	-	-	0.1	V
		$I_{I/O} = 1\text{ mA}$	-	-	0.3	V
I_{edge}	current from data lines when active pull-up active	$V_{OH} = 0.9V_{CC}$; $C_o = 80\text{ pF}$	-1	-	-	mA
$ I_{LIH} $	input leakage current HIGH on data lines	$V_{IH} = V_{CC}$	-	-	10	μA
I_{IL}	LOW-level input current on data lines	$V_{IL} = 0\text{ V}$	-	-	600	μA
$R_{pu(int)}$	internal pull-up resistance between data lines and V_{CC}		9	11	13	kΩ
t_r, t_f	input transition times on data lines	from $V_{IL(max)}$ to $V_{IH(min)}$	-	-	1	μs
	output transition times on data lines	$C_o = 80\text{ pF}$, no DC load; 10 % to 90 % of V_{CC} (see Figure 9)	-	-	0.1	μs
Data lines; I/OUC, AUX1UC and AUX2UC (with 10 kΩ pull-up resistor connected to V_{DD})						
V_{OH}	HIGH-level output voltage on data lines	no DC load	$0.9V_{DD}$	-	$V_{DD} + 0.2$	V
		$I_{OH} = -40\text{ }\mu\text{A}$	$0.75V_{DD}$	-	$V_{DD} + 0.2$	
V_{OL}	LOW-level output voltage on data lines	$I_{OL} = 1\text{ mA}$	-	-	300	mV
V_{IH}	HIGH-level input voltage on data lines		$0.7V_{DD}$	-	$V_{DD} + 0.3$	V
V_{IL}	LOW-level input voltage on data lines		0	-	$0.3V_{DD}$	V
$ I_{LIH} $	input leakage current HIGH on data lines	$V_{IH} = V_{DD}$	-	-	10	μA
I_{IL}	LOW-level input on data lines	$V_{IL} = 0\text{ V}$	-	-	600	μA

Table 7. Characteristics ...continued

$V_{DD} = 3.3\text{ V}$; $V_{DDP} = 5\text{ V}$; $T_{amb} = 25\text{ °C}$; all parameters remain within limits but are only statistically tested for the temperature range; $f_{XTAL} = 10\text{ MHz}$; unless otherwise specified; all currents flowing into the IC are positive. When a parameter is specified as a function of V_{DD} or V_{CC} , it means their actual value at the moment of measurement.

Symbol	Parameter	Conditions	Min	Typ	Max	Unit
$R_{pu(int)}$	internal pull-up resistance between data lines and V_{DD}		9	11	13	$k\Omega$
t_r, t_f	input transition times on data lines	from $V_{IL(max)}$ to $V_{IH(min)}$	-	-	1	μs
	output transition times on data lines	$C_o = 30\text{ pF}$; 10 % to 90 % of V_{DD} (see Figure 9)	-	-	0.1	μs
Internal oscillator						
$f_{osc(int)}$	frequency of internal oscillator		2.2	-	3.2	MHz
Reset output to the card (RST)						
$V_{o(inactive)}$	output voltage in inactive mode	no load	0	-	0.1	V
		$I_o = 1\text{ mA}$	0	-	0.3	V
$t_{d(RSTIN-RST)}$	delay between pins RSTIN and RST	RST enabled	-	-	2	μs
V_{OL}	LOW-level output voltage	$I_{OL} = 200\text{ }\mu\text{A}$	0	-	0.3	V
V_{OH}	HIGH-level output voltage	$I_{OH} = -200\text{ }\mu\text{A}$	$0.9V_{CC}$	-	V_{CC}	V
t_r, t_f	rise and fall times	$C_o = 250\text{ pF}$	-	-	0.1	μs
Clock output to the card (CLK)						
$V_{o(inactive)}$	output voltage in inactive mode	no load	0	-	0.1	V
		$I_o = 1\text{ mA}$	0	-	0.3	V
V_{OL}	LOW-level output voltage	$I_{OL} = 200\text{ }\mu\text{A}$	0	-	0.3	V
V_{OH}	HIGH-level output voltage	$I_{OH} = -200\text{ }\mu\text{A}$	$0.9V_{CC}$	-	V_{CC}	V
t_r, t_f	rise and fall times	$C_L = 35\text{ pF}$	[2] -	-	8	ns
δ	duty factor (except for f_{XTAL})	$C_L = 35\text{ pF}$	[2] 45	-	55	%
SR	slew rate (rise and fall)	$C_L = 35\text{ pF}$	0.2	-	-	V/ns
Logic inputs (CLKDIV1, CLKDIV2, PRES, $\overline{\text{PRES}}$, $\overline{\text{CMDVCC}}$, RSTIN and RFU1)[3]						
V_{IL}	LOW-level input voltage		-	-	$0.3V_{DD}$	V
V_{IH}	HIGH-level input voltage		$0.7V_{DD}$	-	-	V
$ I_{LIL} $	input leakage current LOW	$0 < V_{IL} < V_{DD}$	-	-	5	μA
$ I_{LIH} $	input leakage current HIGH	$0 < V_{IH} < V_{DD}$	-	-	5	μA

Table 7. Characteristics ...continued

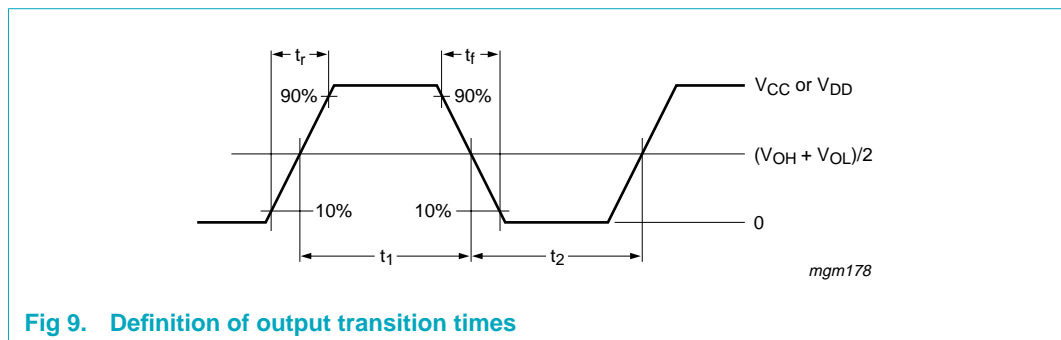
$V_{DD} = 3.3\text{ V}$; $V_{DDP} = 5\text{ V}$; $T_{amb} = 25\text{ }^\circ\text{C}$; all parameters remain within limits but are only statistically tested for the temperature range; $f_{XTAL} = 10\text{ MHz}$; unless otherwise specified; all currents flowing into the IC are positive. When a parameter is specified as a function of V_{DD} or V_{CC} , it means their actual value at the moment of measurement.

Symbol	Parameter	Conditions	Min	Typ	Max	Unit
OFF output (OFF is an open drain with an internal 20 kΩ pull-up resistor to V_{DD})						
V_{OL}	LOW-level output voltage	$I_{OL} = 2\text{ mA}$	-	-	0.4	V
V_{OH}	HIGH-level output voltage	$I_{OH} = -15\text{ }\mu\text{A}$	$0.75V_{DD}$	-	-	V
Protections						
T_{sd}	shut-down temperature		-	135	-	$^\circ\text{C}$
$I_{CC(sd)}$	shut-down current at V_{CC}		-	-	110	mA
Timing						
t_{act}	activation sequence duration	see Figure 5	-	180	220	μs
t_{de}	deactivation sequence duration	see Figure 6	60	80	100	μs
t_3	start of the window for sending CLK to the card	see Figure 5	-	-	130	μs
t_5	end of the window for sending CLK to the card	see Figure 5	140	-	-	μs

[1] To meet these specifications V_{CC} should be decoupled to CGND using two ceramic multilayer capacitors of low ESR with values of either 100 nF or one 100 nF and one 220 nF.

[2] The transition times and duty factor definitions are shown in [Figure 9](#); $\delta = \frac{t_1}{t_1 + t_2} \times 100\%$

[3] $\overline{\text{PRES}}$ and $\overline{\text{CMDVCC}}$ are active LOW; RSTIN and PRES are active HIGH; for CLKDIV1 and CLKDIV2 see [Table 4](#); RFU1 must be tied HIGH.

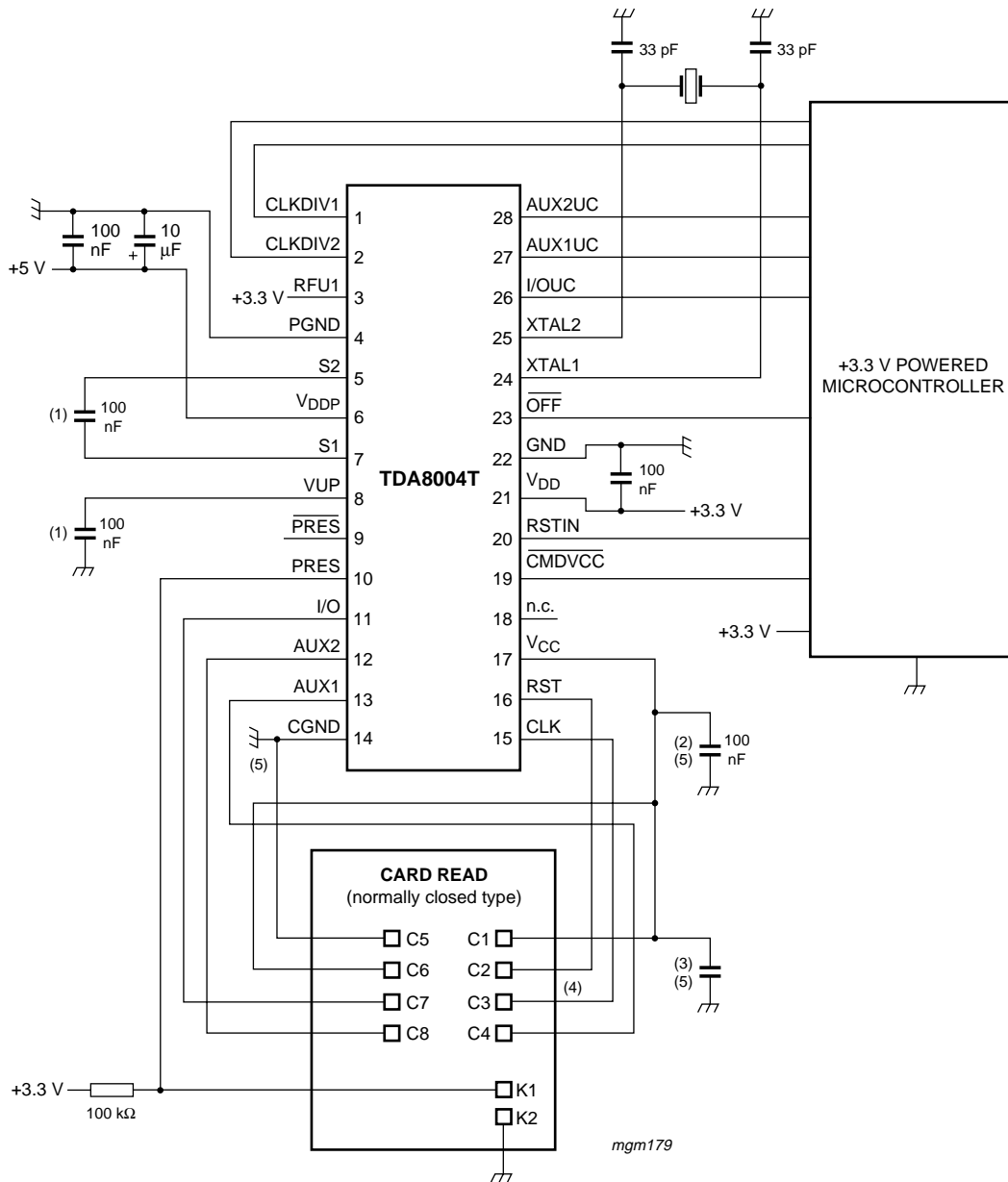


12. Application information

V_{DD} for the TDA8004T must be the same as for the microcontroller and CLKDIV1, CLKDIV2, RSTIN, PRES, \overline{PRES} , AUX1UC, AUX2UC, I/OUC, RFU1, \overline{CMDVCC} and \overline{OFF} should be referenced to V_{DD} and XTAL1 also when driven by an external clock.

For optimum layout be sure that there is enough ground area around the TDA8004T and the connector. Place the TDA8004T very near to the connector, ideally under the connector, and decouple V_{DD} and V_{DDP} properly.

Refer to "AN97036" for further application information for proper implementation of the TDA8004T.



- (1) These capacitors must have a low ESR and must be placed near the IC (less than 1 cm).
- (2) One 100 nF with low ESR near pin 17.
- (3) One 100 nF or 220 nF with low ESR near contact C1 (less than 1 cm).
- (4) Contact C3 should be routed far from contacts C2, C7, C4 and C8 and, better, surrounded with ground tracks.
- (5) Straight and short connections between pin CGND, contact C5 and ground for the capacitors (no loop).

Fig 10. Application diagram

13. Package outline

SO28: plastic small outline package; 28 leads; body width 7.5 mm

SOT136-1

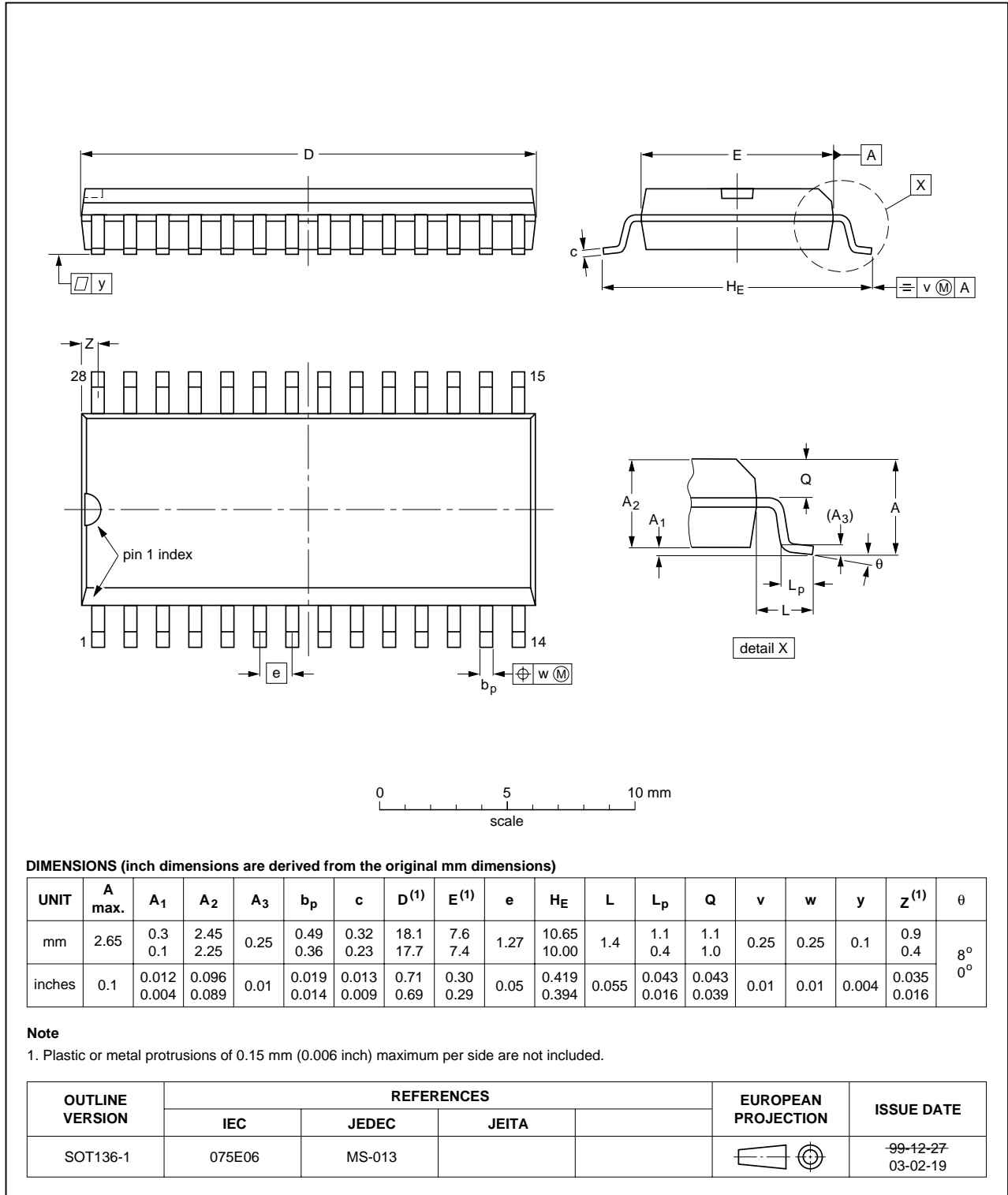


Fig 11. Package outline SOT136-1 (SO28)

14. Handling information

Every pin withstands the ESD test according to MIL-STD-883C class 3 for card contacts, class 2 for the remaining. Method 3015 (HBM; 1500 Ω ; 100 pF) 3 pulses positive and 3 pulses negative on each pin referenced to ground.

15. Soldering

15.1 Introduction to soldering surface mount packages

This text gives a very brief insight to a complex technology. A more in-depth account of soldering ICs can be found in our *Data Handbook IC26; Integrated Circuit Packages* (document order number 9398 652 90011).

There is no soldering method that is ideal for all surface mount IC packages. Wave soldering can still be used for certain surface mount ICs, but it is not suitable for fine pitch SMDs. In these situations reflow soldering is recommended.

15.2 Reflow soldering

Reflow soldering requires solder paste (a suspension of fine solder particles, flux and binding agent) to be applied to the printed-circuit board by screen printing, stencilling or pressure-syringe dispensing before package placement. Driven by legislation and environmental forces the worldwide use of lead-free solder pastes is increasing.

Several methods exist for reflowing; for example, convection or convection/infrared heating in a conveyor type oven. Throughput times (preheating, soldering and cooling) vary between 100 seconds and 200 seconds depending on heating method.

Typical reflow peak temperatures range from 215 °C to 270 °C depending on solder paste material. The top-surface temperature of the packages should preferably be kept:

- below 225 °C (SnPb process) or below 245 °C (Pb-free process)
 - for all BGA, HTSSON..T and SSOP..T packages
 - for packages with a thickness ≥ 2.5 mm
 - for packages with a thickness < 2.5 mm and a volume ≥ 350 mm³ so called thick/large packages.
- below 240 °C (SnPb process) or below 260 °C (Pb-free process) for packages with a thickness < 2.5 mm and a volume < 350 mm³ so called small/thin packages.

Moisture sensitivity precautions, as indicated on packing, must be respected at all times.

15.3 Wave soldering

Conventional single wave soldering is not recommended for surface mount devices (SMDs) or printed-circuit boards with a high component density, as solder bridging and non-wetting can present major problems.

To overcome these problems the double-wave soldering method was specifically developed.

If wave soldering is used the following conditions must be observed for optimal results:

- Use a double-wave soldering method comprising a turbulent wave with high upward pressure followed by a smooth laminar wave.
- For packages with leads on two sides and a pitch (e):
 - larger than or equal to 1.27 mm, the footprint longitudinal axis is **preferred** to be parallel to the transport direction of the printed-circuit board;
 - smaller than 1.27 mm, the footprint longitudinal axis **must** be parallel to the transport direction of the printed-circuit board.

The footprint must incorporate solder thieves at the downstream end.

- For packages with leads on four sides, the footprint must be placed at a 45° angle to the transport direction of the printed-circuit board. The footprint must incorporate solder thieves downstream and at the side corners.

During placement and before soldering, the package must be fixed with a droplet of adhesive. The adhesive can be applied by screen printing, pin transfer or syringe dispensing. The package can be soldered after the adhesive is cured.

Typical dwell time of the leads in the wave ranges from 3 seconds to 4 seconds at 250 °C or 265 °C, depending on solder material applied, SnPb or Pb-free respectively.

A mildly-activated flux will eliminate the need for removal of corrosive residues in most applications.

15.4 Manual soldering

Fix the component by first soldering two diagonally-opposite end leads. Use a low voltage (24 V or less) soldering iron applied to the flat part of the lead. Contact time must be limited to 10 seconds at up to 300 °C.

When using a dedicated tool, all other leads can be soldered in one operation within 2 seconds to 5 seconds between 270 °C and 320 °C.

15.5 Package related soldering information

Table 8. Suitability of surface mount IC packages for wave and reflow soldering methods

Package ^[1]	Soldering method	
	Wave	Reflow ^[2]
BGA, HTSSON..T ^[3] , LBGA, LFBGA, SQFP, SSOP..T ^[3] , TFBGA, VFBGA, XSON	not suitable	suitable
DHVQFN, HBCC, HBGA, HLQFP, HSO, HSOP, HSQFP, HSSON, HTQFP, HTSSOP, HVQFN, HVSON, SMS	not suitable ^[4]	suitable
PLCC ^[5] , SO, SOJ	suitable	suitable
LQFP, QFP, TQFP	not recommended ^{[5][6]}	suitable
SSOP, TSSOP, VSO, VSSOP	not recommended ^[7]	suitable
CWQCCN..L ^[8] , PMFP ^[9] , WQCCN..L ^[8]	not suitable	not suitable

[1] For more detailed information on the BGA packages refer to the *(LF)BGA Application Note (AN01026)*; order a copy from your Philips Semiconductors sales office.

- [2] All surface mount (SMD) packages are moisture sensitive. Depending upon the moisture content, the maximum temperature (with respect to time) and body size of the package, there is a risk that internal or external package cracks may occur due to vaporization of the moisture in them (the so called popcorn effect). For details, refer to the Drypack information in the *Data Handbook IC26; Integrated Circuit Packages; Section: Packing Methods*.
- [3] These transparent plastic packages are extremely sensitive to reflow soldering conditions and must on no account be processed through more than one soldering cycle or subjected to infrared reflow soldering with peak temperature exceeding $217\text{ °C} \pm 10\text{ °C}$ measured in the atmosphere of the reflow oven. The package body peak temperature must be kept as low as possible.
- [4] These packages are not suitable for wave soldering. On versions with the heatsink on the bottom side, the solder cannot penetrate between the printed-circuit board and the heatsink. On versions with the heatsink on the top side, the solder might be deposited on the heatsink surface.
- [5] If wave soldering is considered, then the package must be placed at a 45° angle to the solder wave direction. The package footprint must incorporate solder thieves downstream and at the side corners.
- [6] Wave soldering is suitable for LQFP, QFP and TQFP packages with a pitch (e) larger than 0.8 mm; it is definitely not suitable for packages with a pitch (e) equal to or smaller than 0.65 mm.
- [7] Wave soldering is suitable for SSOP, TSSOP, VSO and VSSOP packages with a pitch (e) equal to or larger than 0.65 mm; it is definitely not suitable for packages with a pitch (e) equal to or smaller than 0.5 mm.
- [8] Image sensor packages in principle should not be soldered. They are mounted in sockets or delivered pre-mounted on flex foil. However, the image sensor package can be mounted by the client on a flex foil by using a hot bar soldering process. The appropriate soldering profile can be provided on request.
- [9] Hot bar soldering or manual soldering is suitable for PMFP packages.

16. Revision history

Table 9. Revision history

Document ID	Release date	Data sheet status	Change notice	Supersedes
TDA8004T_4	20060220	Product data sheet	-	TDA8004T_3 (9397 750 13141)
Modifications:		<ul style="list-style-type: none"> The format of this data sheet has been redesigned to comply with the new presentation and information standard of Philips Semiconductors In Section 8.1 "Power supply" the last paragraph has been removed 		
TDA8004T_3 (9397 750 13141)	20040510	Product specification	-	TDA8004T_2 (9397 750 06034)
TDA8004T_2 (9397 750 06034)	19991230	Product specification	-	TDA8004_1 (9397 750 02928)
TDA8004_1 (9397 750 02928)	19971121	Preliminary specification	-	-

17. Legal information

17.1 Data sheet status

Document status ^{[1][2]}	Product status ^[3]	Definition
Objective [short] data sheet	Development	This document contains data from the objective specification for product development.
Preliminary [short] data sheet	Qualification	This document contains data from the preliminary specification.
Product [short] data sheet	Production	This document contains the product specification.

[1] Please consult the most recently issued document before initiating or completing a design.

[2] The term 'short data sheet' is explained in section "Definitions".

[3] The product status of device(s) described in this document may have changed since this document was published and may differ in case of multiple devices. The latest product status information is available on the Internet at URL <http://www.semiconductors.philips.com>.

17.2 Definitions

Draft — The document is a draft version only. The content is still under internal review and subject to formal approval, which may result in modifications or additions. Philips Semiconductors does not give any representations or warranties as to the accuracy or completeness of information included herein and shall have no liability for the consequences of use of such information.

Short data sheet — A short data sheet is an extract from a full data sheet with the same product type number(s) and title. A short data sheet is intended for quick reference only and should not be relied upon to contain detailed and full information. For detailed and full information see the relevant full data sheet, which is available on request via the local Philips Semiconductors sales office. In case of any inconsistency or conflict with the short data sheet, the full data sheet shall prevail.

17.3 Disclaimers

General — Information in this document is believed to be accurate and reliable. However, Philips Semiconductors does not give any representations or warranties, expressed or implied, as to the accuracy or completeness of such information and shall have no liability for the consequences of use of such information.

Right to make changes — Philips Semiconductors reserves the right to make changes to information published in this document, including without limitation specifications and product descriptions, at any time and without notice. This document supersedes and replaces all information supplied prior to the publication hereof.

Suitability for use — Philips Semiconductors products are not designed, authorized or warranted to be suitable for use in medical, military, aircraft, space or life support equipment, nor in applications where failure or

malfunction of a Philips Semiconductors product can reasonably be expected to result in personal injury, death or severe property or environmental damage. Philips Semiconductors accepts no liability for inclusion and/or use of Philips Semiconductors products in such equipment or applications and therefore such inclusion and/or use is for the customer's own risk.

Applications — Applications that are described herein for any of these products are for illustrative purposes only. Philips Semiconductors makes no representation or warranty that such applications will be suitable for the specified use without further testing or modification.

Limiting values — Stress above one or more limiting values (as defined in the Absolute Maximum Ratings System of IEC 60134) may cause permanent damage to the device. Limiting values are stress ratings only and operation of the device at these or any other conditions above those given in the Characteristics sections of this document is not implied. Exposure to limiting values for extended periods may affect device reliability.

Terms and conditions of sale — Philips Semiconductors products are sold subject to the general terms and conditions of commercial sale, as published at <http://www.semiconductors.philips.com/profile/terms>, including those pertaining to warranty, intellectual property rights infringement and limitation of liability, unless explicitly otherwise agreed to in writing by Philips Semiconductors. In case of any inconsistency or conflict between information in this document and such terms and conditions, the latter will prevail.

No offer to sell or license — Nothing in this document may be interpreted or construed as an offer to sell products that is open for acceptance or the grant, conveyance or implication of any license under any copyrights, patents or other industrial or intellectual property rights.

17.4 Trademarks

Notice: All referenced brands, product names, service names and trademarks are the property of their respective owners.

18. Contact information

For additional information, please visit: <http://www.semiconductors.philips.com>

For sales office addresses, send an email to: sales.addresses@www.semiconductors.philips.com

19. Contents

1	General description	1
2	Features	1
3	Applications	1
4	Quick reference data	2
5	Ordering information	2
6	Block diagram	3
7	Pinning information	4
7.1	Pinning	4
7.2	Pin description	4
8	Functional description	5
8.1	Power supply	5
8.2	Voltage supervisor	6
8.3	Clock circuitry	6
8.4	I/O circuitry	7
8.5	Inactive state	8
8.6	Activation sequence	8
8.7	Active state	9
8.8	Deactivation sequence	10
8.9	Fault detection	10
8.10	V _{CC} regulator	12
9	Limiting values	12
10	Thermal characteristics	13
11	Characteristics	13
12	Application information	18
13	Package outline	20
14	Handling information	21
15	Soldering	21
15.1	Introduction to soldering surface mount packages	21
15.2	Reflow soldering	21
15.3	Wave soldering	21
15.4	Manual soldering	22
15.5	Package related soldering information	22
16	Revision history	24
17	Legal information	25
17.1	Data sheet status	25
17.2	Definitions	25
17.3	Disclaimers	25
17.4	Trademarks	25
18	Contact information	25
19	Contents	26

Please be aware that important notices concerning this document and the product(s) described herein, have been included in section 'Legal information'.



© Koninklijke Philips Electronics N.V. 2006. All rights reserved.

For more information, please visit: <http://www.semiconductors.philips.com>.

For sales office addresses, email to: sales.addresses@www.semiconductors.philips.com.

Date of release: 20 February 2006

Document identifier: TDA8004T_4