



## CARRADIO-SIGNAL-PROCESSOR

- 4 STEREO INPUTS
- 1 MONO INPUTS
- SOFTSTEP-VOLUME
- BASS, TREBLE AND LOUDNESS CONTROL
- DIRECTMUTEANDSOFTMUTE
- INTERNAL BEEP
- FOUR INDEPENDENT SPEAKER-OUTPUTS
- SUBWOOFER STEREO OUTPUT
- DIGITAL CONTROL:
  - I<sup>2</sup>C-BUS INTERFACE
  - AUDIO-FILTER CHARACTERISTICS PROGRAMMABLE

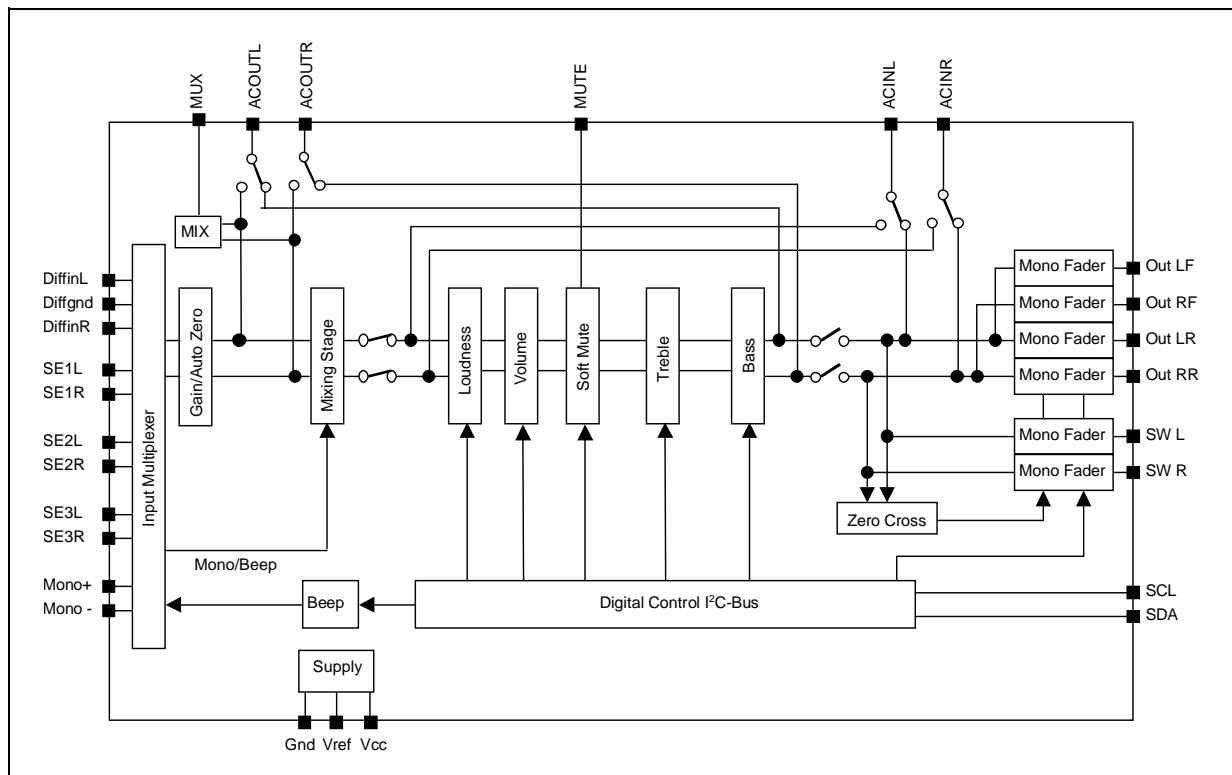


### DESCRIPTION

The TDA7404D is a high performance signal processor specifically designed for car radio applications. The device includes a high performance audiopro-

cessor with fully integrated audio filters. The digital control allows a programming in a wide range of all the filter characteristics. By the use of a BICMOS-process and a linear signal processing low distortion and low noise are obtained.

### BLOCK DIAGRAM



# TDA7404D

## SUPPLY

Symbol	Parameter	Test Condition	Min.	Typ.	Max.	Unit
V <sub>s</sub>	Supply Voltage		7.5	9	10.5	V
I <sub>s</sub>	Supply Current	V <sub>s</sub> = 9V		20		mA
SVRR	Ripple Rejection @ 1KHz	Audioprocessor(all Filters flat)		60		dB

## THERMAL DATA

Symbol	Parameter	Value	Unit
R <sub>Th j-pins</sub>	Thermal Resistance Junction-pins max	85	°C/W

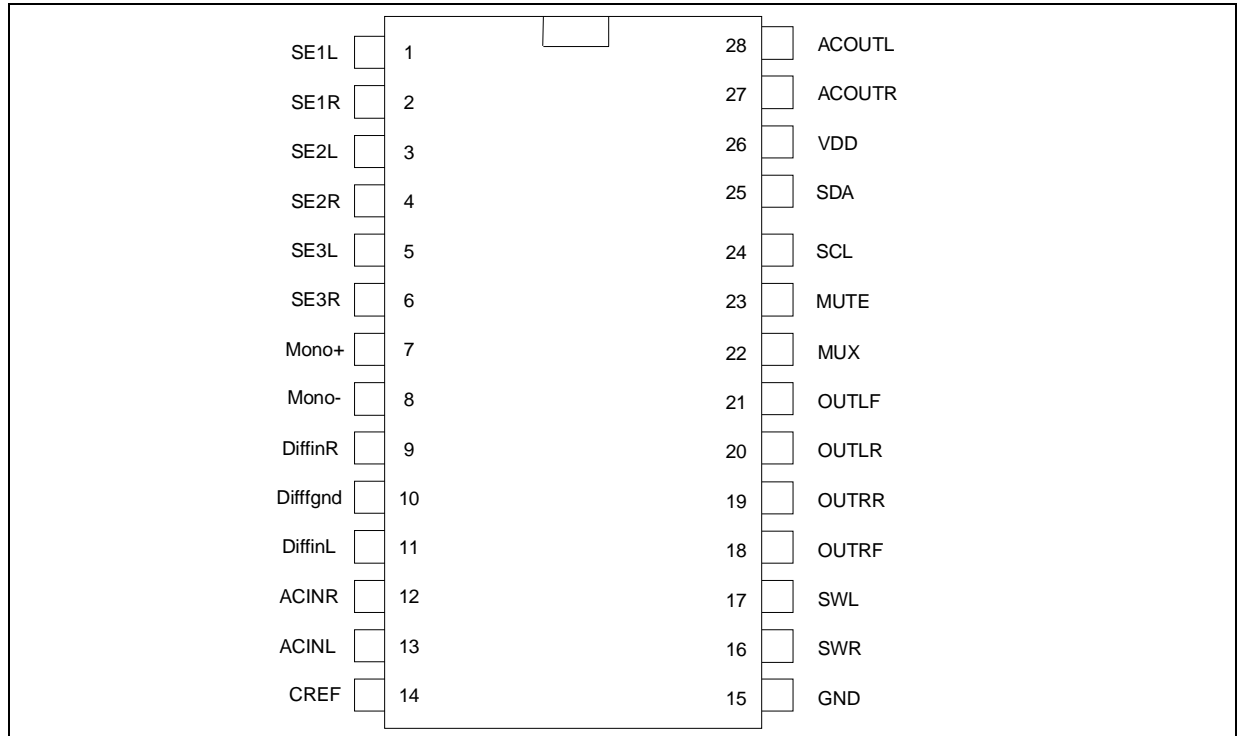
## ABSOLUTE MAXIMUM RATINGS

Symbol	Parameter	Value	Unit
V <sub>s</sub>	Operating Supply Voltage	10.8	V
T <sub>amb</sub>	Operating Temperature Range	-40 to 85	°C
T <sub>stg</sub>	Storage Temperature Range	-55 to +150	°C

## ESD

All pins are protected against ESD according to the MIL883 standard.

## PIN CONNECTION



**FEATURES:**

Input Multiplexer	1 pseudo-differential stereo input (selectable single end stereo input) 3 single-end stereo inputs 1 differential mono input In-Gain 0..14dB, 1dB steps, 14..20dB, 2dB steps Auto Zero
Beep	internal Beep with 3 frequencies 781Hz/1.56KHz/1.8KHz
Mixing stage	4 step-mixing-stage with mono or beep as mix-signals
Loudness	second order frequency response programmable center frequency 15 x 1dB steps selectable low & high frequency boost selectable flat-mode (constant sttenuation)
Volume	1 dB attenuator 100dB range soft-step control with programmable times
Bass	2nd order frequency response center frequency programmable in 4 steps 60Hz/80Hz/100Hz/200Hz Q programmable 1.0/1.25/1.5/2.0 DC gain programmable $\pm 15$ dB x 1dB steps
Treble	2nd order frequency response center frequency programmable in 4 steps 10KHz/12.5KHz/15KHz/17.5KHz $\pm 15$ dB x 1dB steps
Speaker	4 independent speaker controls in 1dB steps control range 50dB with mute Zero crossing attenuate
Subwoofer	Stereo output attenuator range 50dB
Mute Functions	direct mute digitally controlled Soft Mute with 4 programmable mute-times

## TDA7404D

**ELECTRICAL CHARACTERISTICS** ( $V_S=9V$ ;  $T_{amb}=25$ ;  $R_L=10k\Omega$ ; all gains = 0dB;  $f = 1kHz$ ; unless otherwise specified)

Symbol	Parameter	Test Conditions	Min.	Typ.	Max.	Unit
--------	-----------	-----------------	------	------	------	------

### INPUT SELECTOR

$R_{in}$	Input Resistance	all single ended Inputs	70	100	130	$k\Omega$
$V_{CL}$	Clipping Level		2.20	2.60		$V_{RMS}$
$S_{IN}$	Input Separation		80	100		dB
$G_{IN MIN}$	Min. Input Gain		-1	0	1	dB
$G_{IN MAX}$	Max. Input Gain		18	20	22	dB
$G_{STEP}$	Step Resolution		0.5	1	1.5	dB
$V_{DC}$	DC Steps	Adjacent Gain Steps	-5	1	5	mV
		$G_{MIN}$ to $G_{MAX}$	-10	5	10	mV
$V_{offset}$	Remaining offset with AutoZero			0.5		mV

### P DIFFERENTIAL STEREO INPUTS

$R_{in}$	Input Resistance (see Figure 1)	Differential	70	100	130	$k\Omega$
$G_{CD}$	Gain	only at true differential input	-0.75	0	0.75	dB
			-5	-6	-7	dB
			-11	-12	-13	dB
CMRR	Common Mode Rejection Ratio	$V_{CM} = 1V_{RMS}$ @ 1kHz	40	70		dB
		$V_{CM} = 1V_{RMS}$ @ 10kHz	40	60		dB
$e_{NO}$	Output-Noise @ Speaker-Outputs	20Hz - 20kHz, flat; all stages 0 dB		9		V

### DIFFERENTIAL MONO INPUT

$R_{in}$	Input Resistance	Differential	39	56	73	$k\Omega$
CMRR	Common Mode Rejection Ratio	$V_{CM} = 1V_{RMS}$ @ 1kHz	40	70		dB
		$V_{CM} = 1V_{RMS}$ @ 10kHz	40	60		dB

### BEEP CONTROL

$V_{RMS}$	Beep Level		250	350	500	mV
$f_B$	Beep Frequency	$f_{B1}$	740	781	820	Hz
		$f_{B2}$	1.48	1.56	1.64	kHz
		$f_{B3}$	1.7	1.8	1.9	kHz

## ELECTRICAL CHARACTERISTICS (continued)

Symbol	Parameter	Test Conditions	Min.	Typ.	Max.	Unit
--------	-----------	-----------------	------	------	------	------

## MIXING CONTROL

M <sub>LEVEL</sub>	Mixing Level	Main / Mix-Source		0/00		dB
		Main / Mix-Source	-8.5/-10.6	-3.5/-9.6	-2.5/-8.6	dB
		Main / Mix-Source	-5/-5	-6/-6	-7/-7	dB
		Main / Mix-Source	-11/-1.5	-12/-2.5	-13/-3.5	dB

## VOLUME CONTROL

G <sub>MAX</sub>	Max. Gain		28	30	32	dB
A <sub>MAX</sub>	Max. Attenuation		-83	-79	-75	dB
A <sub>STEP</sub>	Step Resolution		0.5	1	1.5	dB
E <sub>A</sub>	Attenuation Set Error	G = -20 to +20dB	-1	0	1	dB
		G = -80 to -20dB	-4	0	3	dB
E <sub>T</sub>	Tracking Error				2	dB
V <sub>DC</sub>	DC Steps	Adjacent Steps		0.1	3	mV
		From 0dB to G <sub>MIN</sub>		0.5	5	mV

## LOUDNESS CONTROL

A <sub>STEP</sub>	Step Resolution		-0.5	1	1.5	dB
A <sub>MAX</sub>	Max. Attenuation		13	15	17	dB
f <sub>C</sub>	Center Frequency		360	400	440	Hz
			720	800	880	Hz
			2.3	2.4 <sup>1</sup>	2.5	kHz

## SOFT MUTE

A <sub>MUTE</sub>	Mute Attenuation		80	100		dB
T <sub>D</sub>	Delay Time	T1		0.48	1	ms
		T2		0.96	2	ms
		T3	20	30.7	50	ms
		T4	70	123	170	ms
V <sub>TH low</sub>	Low Threshold for SM-Pin <sup>2</sup>				1	V
V <sub>TH high</sub>	High Threshold for SM - Pin		2.50			V
R <sub>PU</sub>	Internal pull-up resistor		70	100	130	kΩ
V <sub>PU</sub>	Pull-Up Voltage			5		V

# TDA7404D

## ELECTRICAL CHARACTERISTICS (continued)

Symbol	Parameter	Test Conditions	Min.	Typ.	Max.	Unit
<b>SOFT STEP</b>						
T <sub>SW</sub>	Switch time	T <sub>SW1</sub>		0.68		ms
		T <sub>SW2</sub>		1.26		ms
		T <sub>SW3</sub>		2.52		ms
		T <sub>SW4</sub>		5.04		ms

1) Center frequency 2.4KHz makes 1KHz bottom frequency at low & high frequency boost condition.

2) The SM-Pin is active low (Mute = 0)

### BASS CONTROL

C <sub>RANGE</sub>	Control Range		±14	±15	±16	dB
A <sub>STEP</sub>	Step Resolution		0.5	1	1.5	dB
f <sub>C</sub>	Center Frequency	f <sub>C1</sub>	54	60	66	Hz
		f <sub>C2</sub>	72	80	88	Hz
		f <sub>C3</sub>	90	100	110	Hz
		f <sub>C4</sub>	180	200	220	Hz
Q <sub>BASS</sub>	Quality Factor	Q <sub>1</sub>	0.9	1	1.1	
		Q <sub>2</sub>	1.1	1.25	1.4	
		Q <sub>3</sub>	1.3	1.5	1.7	
		Q <sub>4</sub>	1.8	2	2.2	
DC <sub>GAIN</sub>	Bass-DC-Gain	DC = off	-1	0	1	dB
		DC = on	4	4.4	6	dB

### TREBLE CONTROL

C <sub>RANGE</sub>	Control Range		±14	±15	±16	dB
A <sub>STEP</sub>	Step Resolution		0.5	1	1.5	dB
f <sub>C</sub>	Center Frequency	f <sub>C1</sub>	8	10	12	kHz
		f <sub>C2</sub>	10	12.5	15	kHz
		f <sub>C3</sub>	12	15	18	kHz
		f <sub>C4</sub>	14	17.5	21	kHz

### SPEAKER ATTENUATORS

C <sub>RANGE</sub>	Control Range		-53	50	-47	dB
A <sub>STEP</sub>	Step Resolution	only for attenuation up to 24dB	0.5	1	1.5	dB
A <sub>MUTE</sub>	Output Mute Attenuation		80	90		dB

## ELECTRICAL CHARACTERISTICS (continued)

Symbol	Parameter	Test Conditions	Min.	Typ.	Max.	Unit
E <sub>E</sub>	Attenuation Set Error		-2		2	dB
V <sub>DC</sub>	DC Steps	Adjacent Attenuation Steps		0.10	5	mV
T <sub>ZC</sub>	Zero Cross Timer	Data bit D1=1 , D2=1	29	37	45	ms
V <sub>th</sub>	Zero Cross Threshold			±20		mV

## FADER OUTPUTS

V <sub>CLIP</sub>	Clipping Level	d = 0.3%	2.20	2.60		V <sub>RMS</sub>
R <sub>L</sub>	Output Load Resistance		2			kΩ
C <sub>L</sub>	Output Load Capacitance				10	nF
R <sub>OUT</sub>	Output Impedance			30	100	Ω
V <sub>DC</sub>	DC Voltage Level		4.3	4.5	4.7	V

## SUBWOOFER ATTENUATORS

C <sub>RANGE</sub>	Control Range		-53	50	-47	dB
A <sub>STEP</sub>	Step Resolution		0.5	1	1.5	dB
A <sub>MUTE</sub>	Output Mute Attenuation		80	90		dB
E <sub>E</sub>	Attenuation Set Error				2	dB
V <sub>DC</sub>	DC Steps	Adjacent Attenuation Steps		0.10	5	mV

## GENERAL

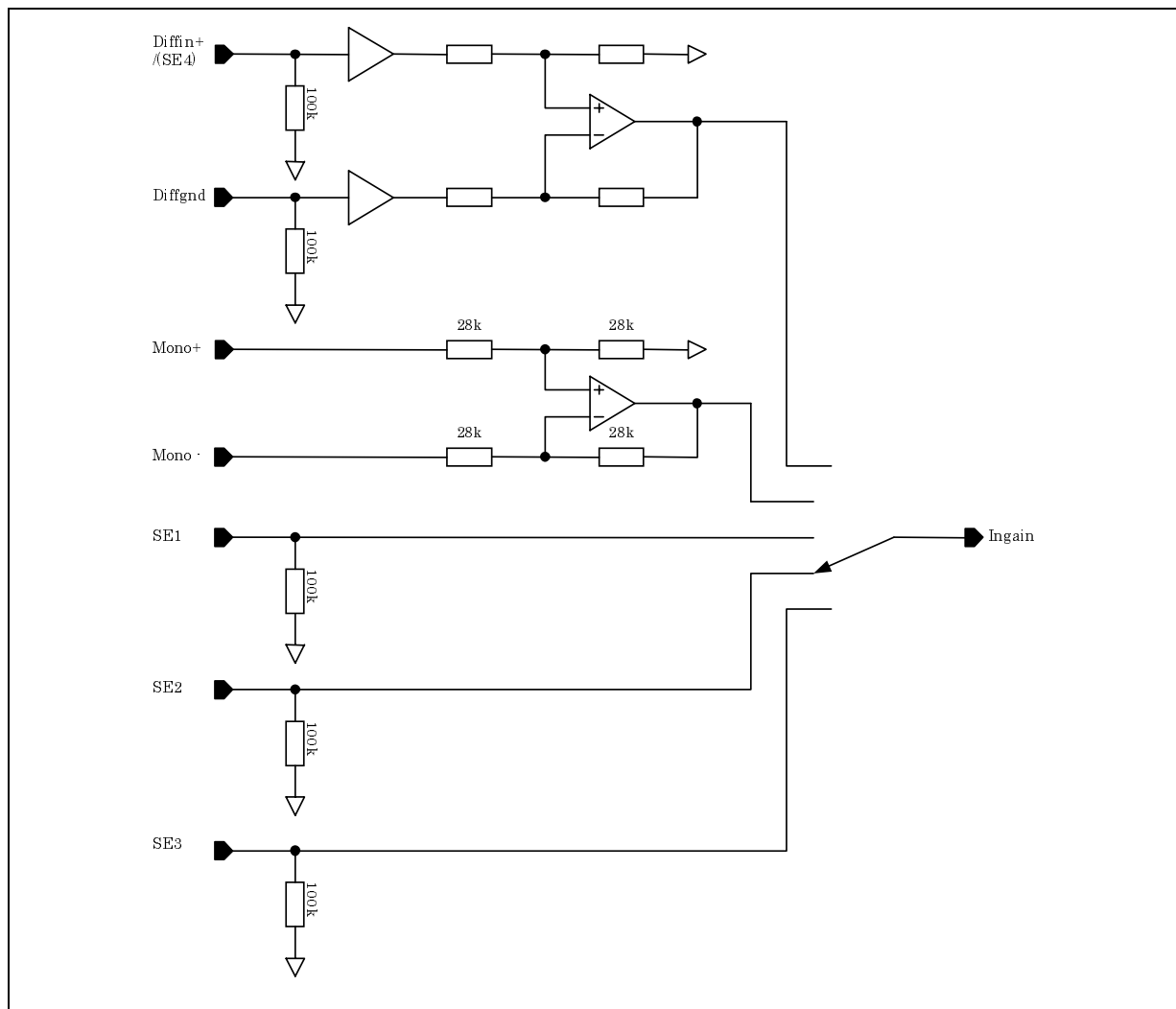
e <sub>NO</sub>	Output Noise	BW = 20Hz - 20kHz all gains = 0dB single ended inputs		10	15	μV
S/N	Signal to Noise Ratio	all gains = 0dB flat; V <sub>O</sub> = 2V <sub>RMS</sub>		106		dB
		bass, treble at +12dB; a-weighted; V <sub>O</sub> = 2.6V <sub>RMS</sub>		100		dB
d	Distortion	V <sub>IN</sub> = 1V <sub>RMS</sub> ; all stages 0dB internal pass only		0.005	0.1	%
		V <sub>OUT</sub> = 1V <sub>RMS</sub> ; Bass & Treble = 12dB		0.05	0.1	%
S <sub>C</sub>	Channel Separation left/right		80	100		dB
E <sub>T</sub>	Total Tracking Error	A <sub>V</sub> = 0 to -20dB	-1	0	1	dB
		A <sub>V</sub> = -20 to -60dB	-2	0	2	dB

1.0 DESCRIPTION OF FUNCTIONALITY

1.1 Input stages

Most of the input stages have remained the same as in preceding ST-Audioprocessors with exception of the CD-inputs (see Figure 1). In the meantime there are some CD-players in the market which have a significant high source-impedance which effects strongly the common-mode-rejection of the normal differential input stage. The additional buffer of the TDA7404D Diff -input avoids this drawback and offers the full common-mode-rejection even with those CD-players.

Figure 1. Input-stages



Note. It is possible that the Differential input is switched a single ended input (SE4) like SE1.. 3.

1.2 AutoZero

In order to reduce the number of pins there is no AC coupling between the In-Gain and the following stage, so that any offset generated by or before the In-Gain-stage would be transferred or even amplified to the output. To avoid that effect a special Offset-cancellation-stage called AutoZero is implemented. This stage is located



before the Mixing-block to eliminate all offsets generated by the Input-Stages and the In-Gain (Please notice that externally generated offsets, e.g. generated through the leakage current of the coupling capacitors, are not canceled).

The auto-zeroing is started every time the DATA-BYTE 0 (Input Selector/Gain) is selected and takes a time of max. **0.3ms**. To avoid audible clicks the Audioprocessor is muted before the loudness stage during this time.

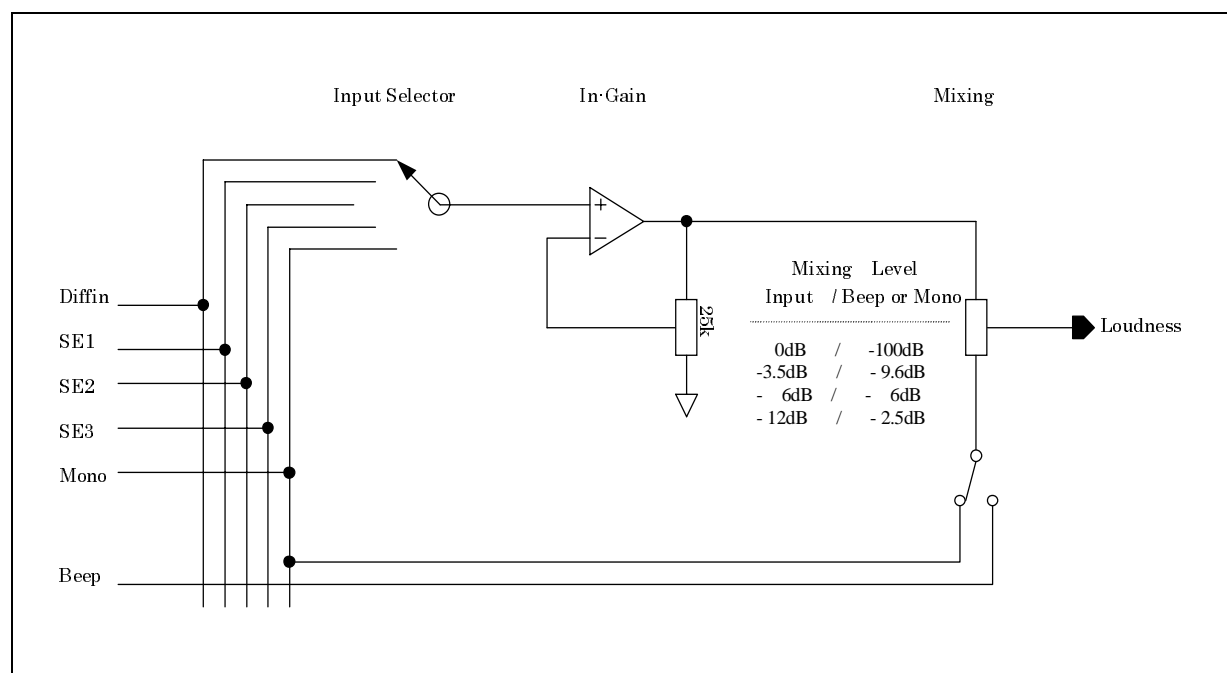
### 1.2.1 AutoZero-Remain

In some cases, for example if the uP is executing a refresh cycle of the IIC-Bus-programming, it is not useful to start a new AutoZero-action because no new source is selected and an undesired mute would appear at the outputs. For such applications the TDA7404D could be switched in the **AutoZero-Remain-Mode** (12 bit of the subaddress-byte). If this bit is set to high, the DATABYTE 0 could be loaded without invoking the AutoZero and the old adjustment-value remains.

### 1.3 Mixing Stage

The 4 step Mixing stage offers the possibility to mix the rear selector signal or the phone signal to any other source. Due to the fact that the mixing-stage is located behind the In-Gain-stage fine adjustments of the main source level could be done in this way.

**Figure 2. Signal-Flow of Mixing-Stage**



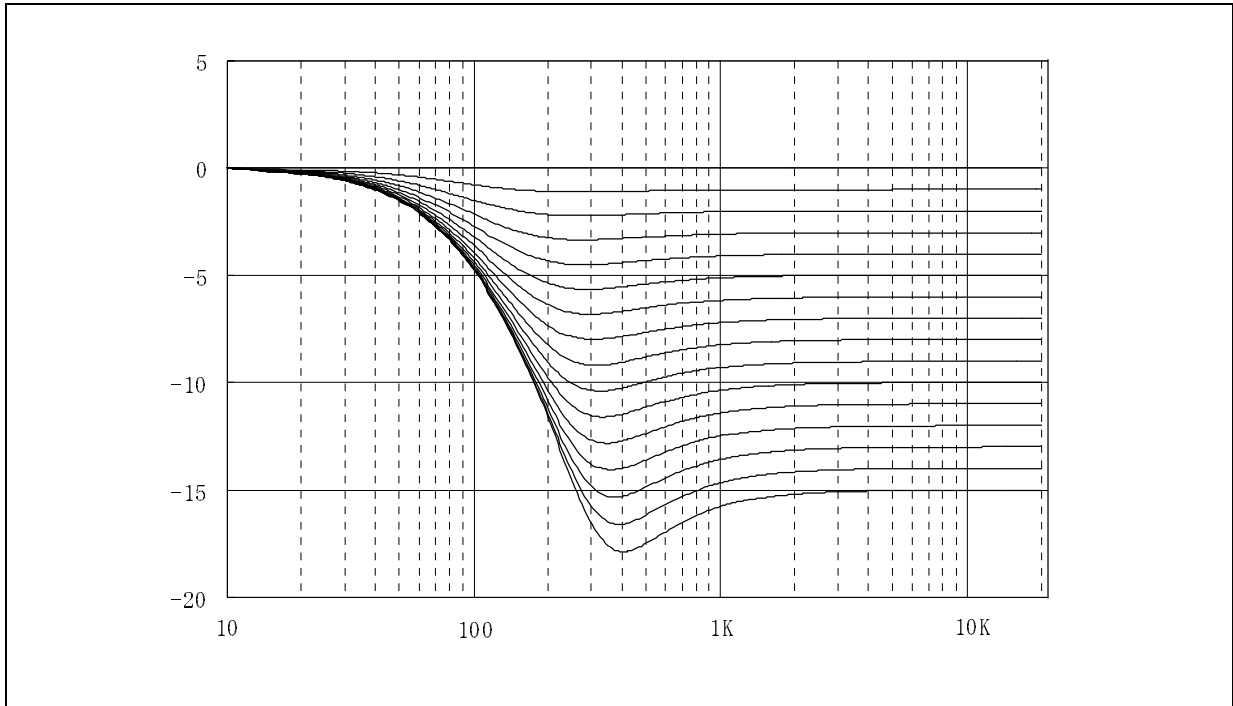
### 1.4 Loudness

There are four parameters programmable in the loudness stage:

#### 1.4.1 Attenuation

Figure 3 shows the attenuation as a function of frequency at  $f_C = 400\text{Hz}$ .

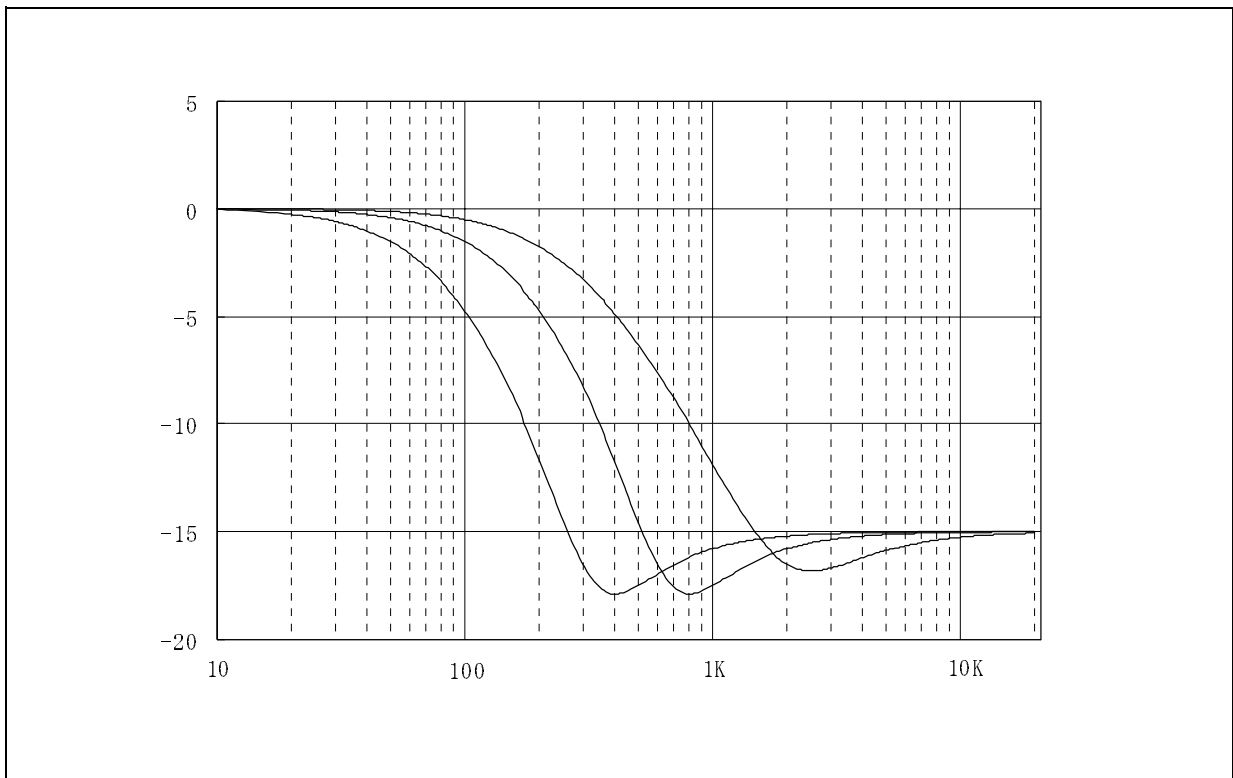
Figure 3. Loudness Attenuation @  $f_c = 400\text{Hz}$



1.4.2 Center Frequency

Figure 4 shows the three possible peak-frequencies 400Hz , 800Hz and 2.4kHz.

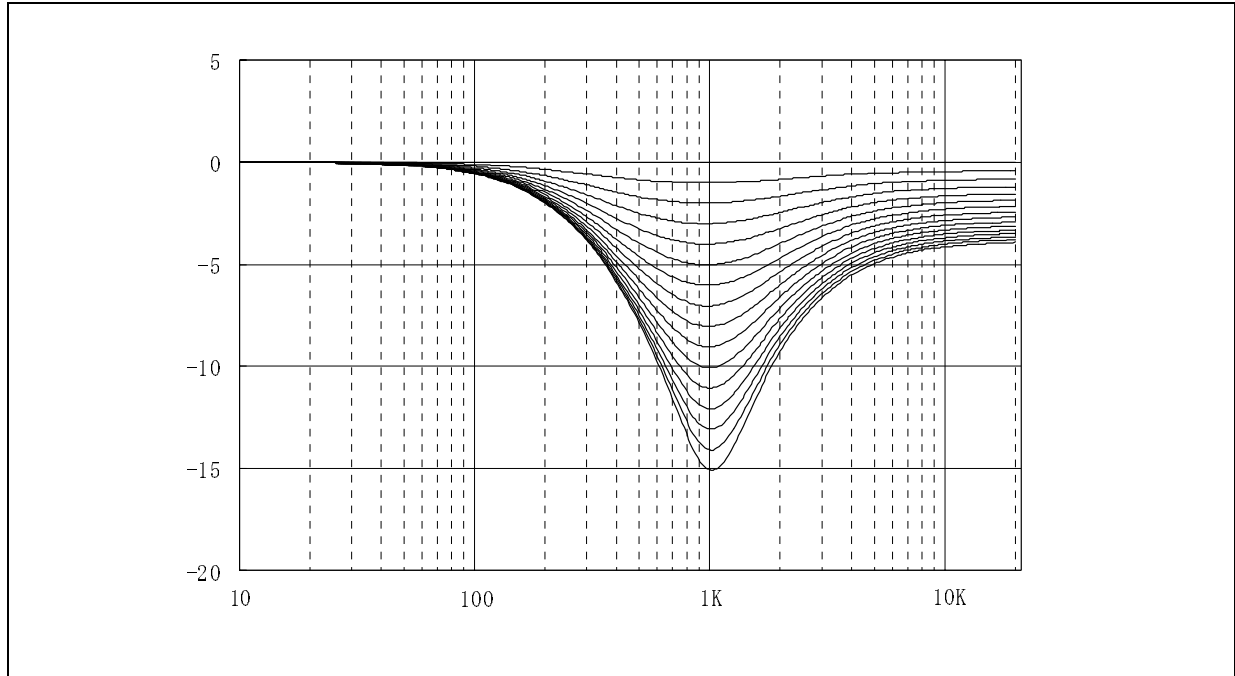
Figure 4. Loudness Center frequencies @ Attn. = 15dB



### 1.4.3 Low & High Frequency Boost

Figure 5 shows the different Loudness-shapes in low & high frequency boost.

**Figure 5. Loudness Attenuation ,  $f_c = 2.4\text{KHz}$**

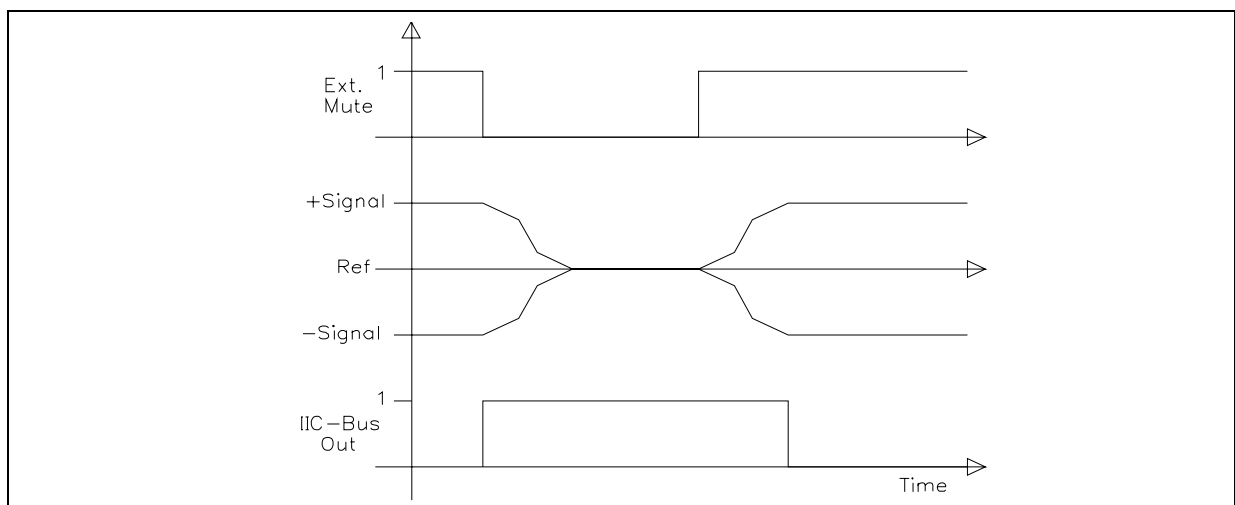


### 1.5 SoftMute

The digitally controlled SoftMute stage allows muting/demuting the signal with a I2C-bus programmable slope. The mute process can either be activated by the Mute pin or by the I2C-bus. This slope is realized in a special S-shaped curve to mute slow in the critical regions (see Figure 6).

For timing purposes the Bit 0 of the I2C-bus output register is set to 1 from the start of muting until the end of de-muting.

**Figure 6. Softmute-Timing**

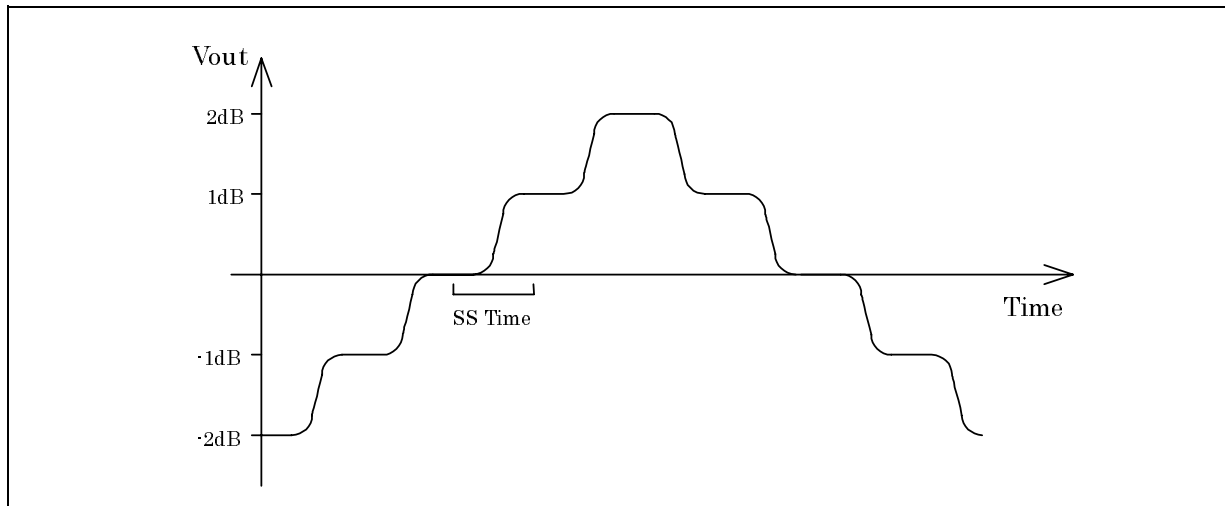


Note: Please notice that a started Mute-action is always terminated and could not be interrupted by a change of the mute -signal.

**1.6 SoftStep-Volume**

When the volume-level is changed audible clicks could appear at the output. The root cause of those clicks could either be a DC-Offset before the volume-stage or the sudden change of the envelope of the audiosignal. With the SoftStep-feature both kinds of clicks could be reduced to a minimum and are no more audible. Four programmable soft step time from one step to the next, are user selectable.

**Figure 7. SoftStep-Timing**



Note: For steps more than 1dB the SoftStep mode should be deactivated because it could generate a 1dB error during the blend-time.

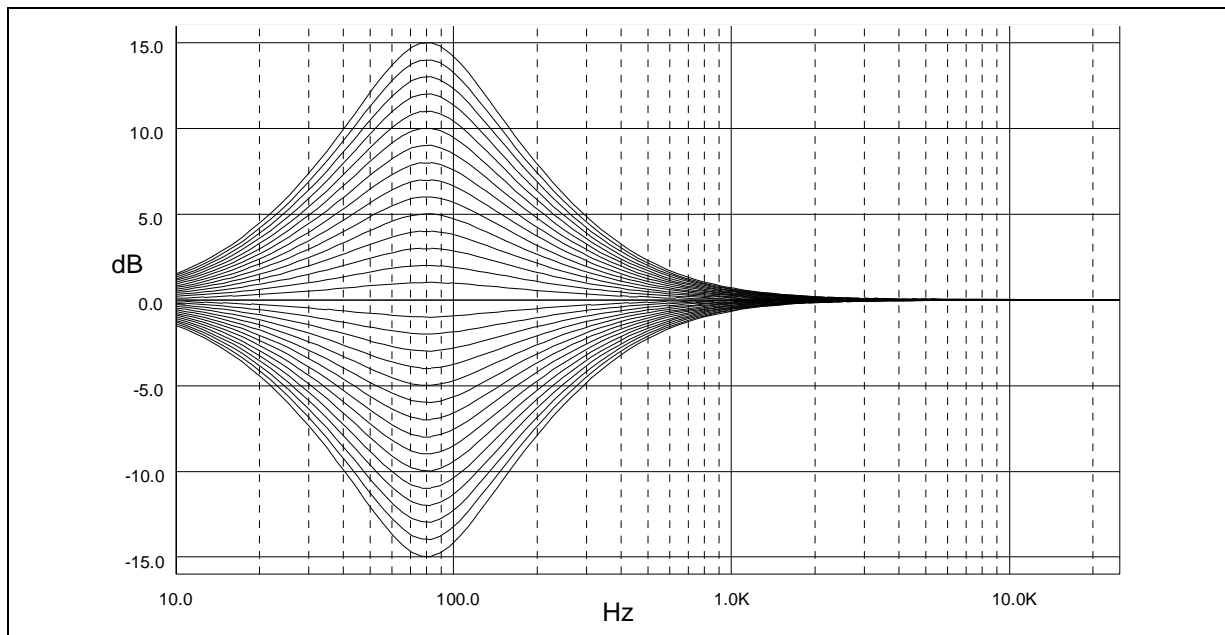
**1.7 Bass**

There are three parameters programmable in the bass stage:

**1.7.1 Attenuation**

Figure 8 shows the attenuation as a function of frequency at a center frequency of 80Hz.

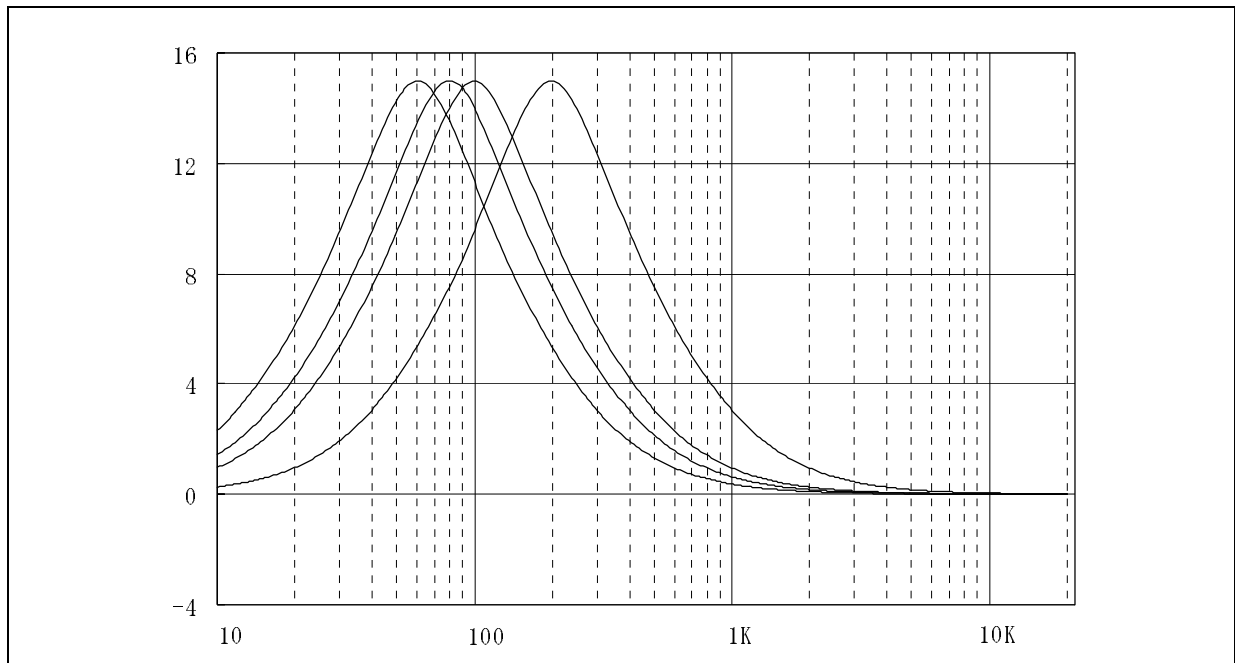
**Figure 8. Bass Control @ fC = 80Hz, Q = 1**



### 1.7.2 Center Frequency

Figure 9 shows the four possible center frequencies 60, 80, 100 and 200Hz.

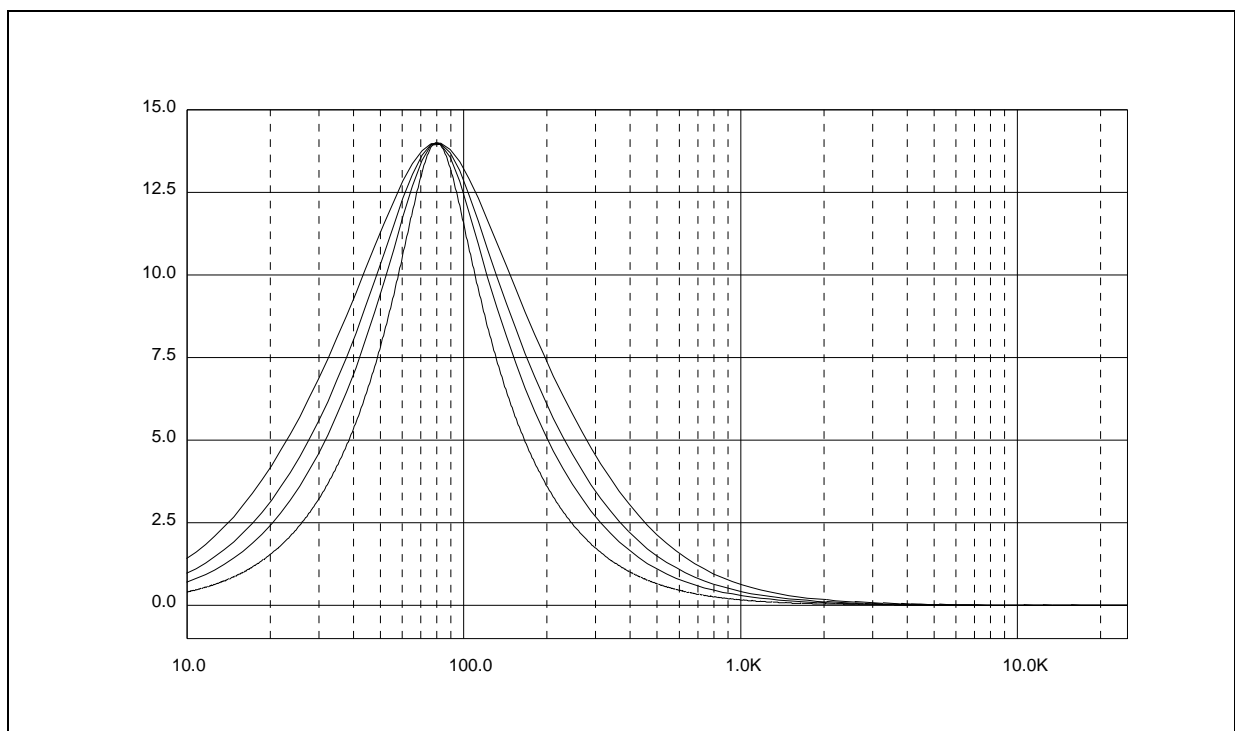
**Figure 9. Bass center Frequencies @ Gain = 15dB, Q = 1**



### 1.7.3 Quality Factors

Figure 10 shows the four possible quality factors 1, 1.25, 1.5 and 2.

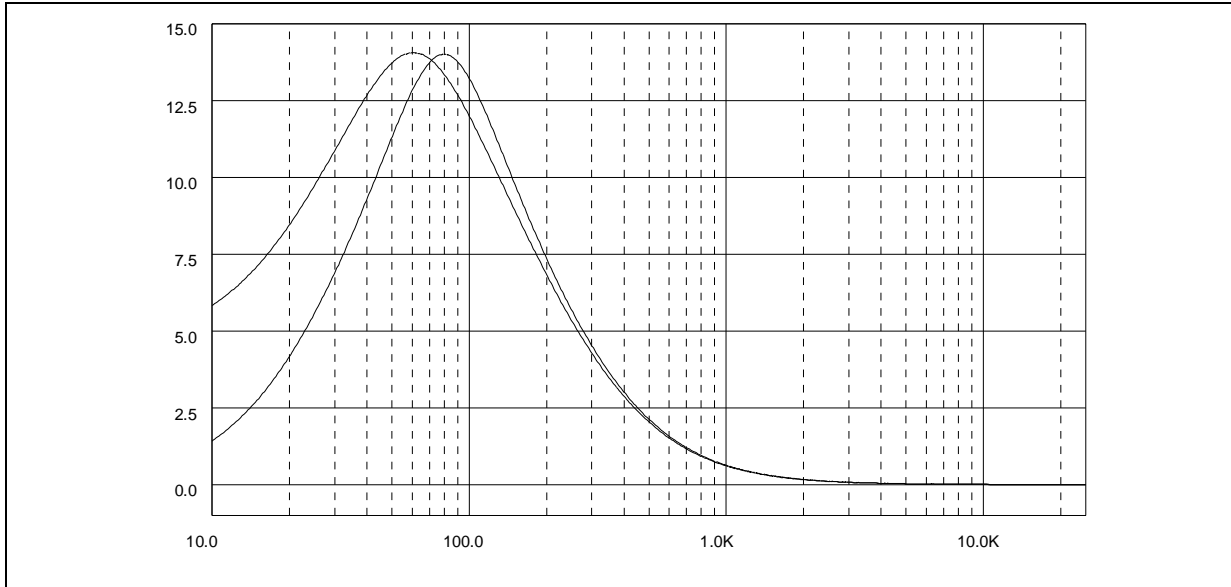
**Figure 10. Bass Quality factors @ Gain = 14dB, fC = 80Hz**



**1.7.4 DC Mode**

In this mode the DC-gain is increased by 4.4dB. In addition the programmed center frequency and quality factor is decreased by 25% which can be used to reach alternative center frequencies or quality factors.

**Figure 11. Bass normal and DC Mode @ Gain = 14dB,  $f_c = 80\text{Hz}$**



Note: The center frequency, Q and DC-mode can be set fully independently.

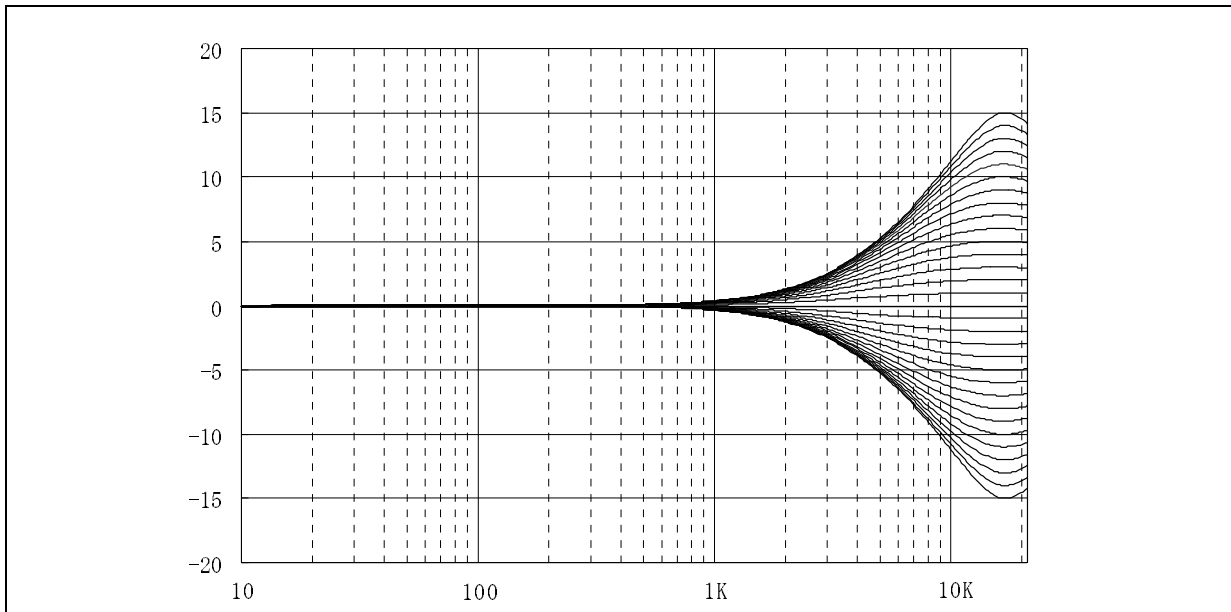
**1.8 Treble**

There are two parameters programmable in the treble stage:

**1.8.1 Attenuation**

Figure 12 shows the attenuation as a function of frequency at a center frequency of 17.5kHz.

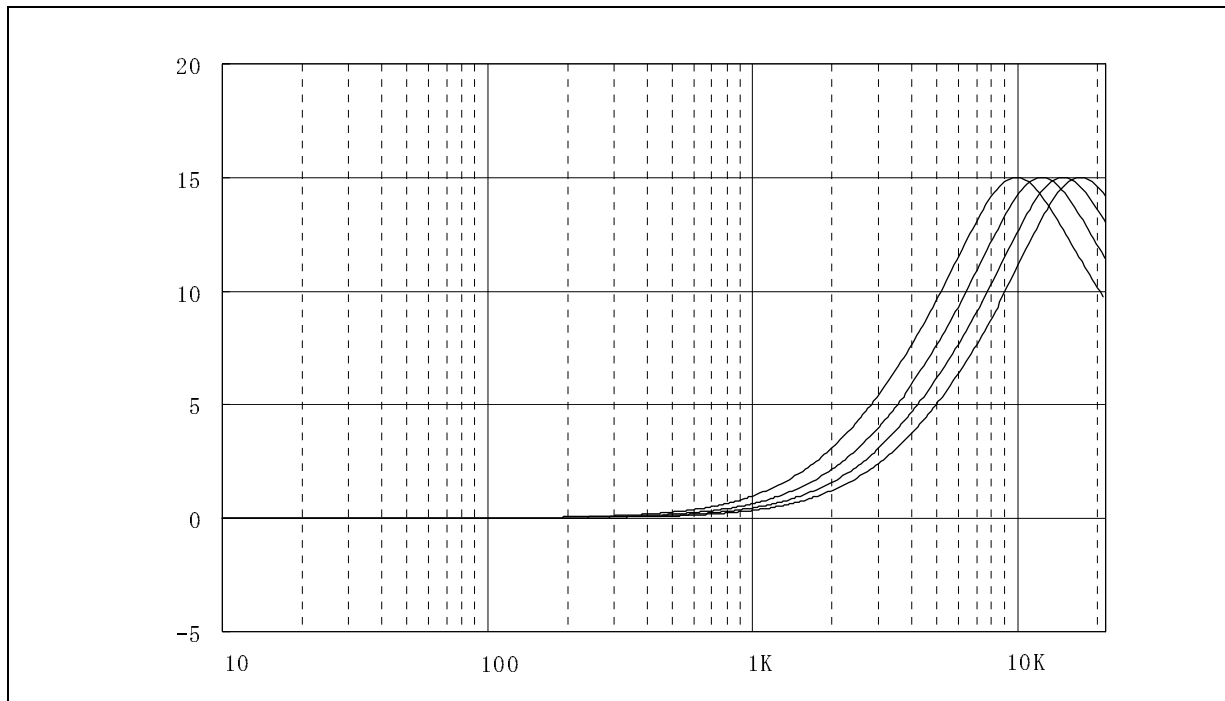
**Figure 12. Treble Control @  $f_c = 17.5\text{kHz}$**



### 1.8.2 Center Frequency

Figure 13 shows the four possible center frequencies 10k, 12.5k, 15k and 17.5kHz.

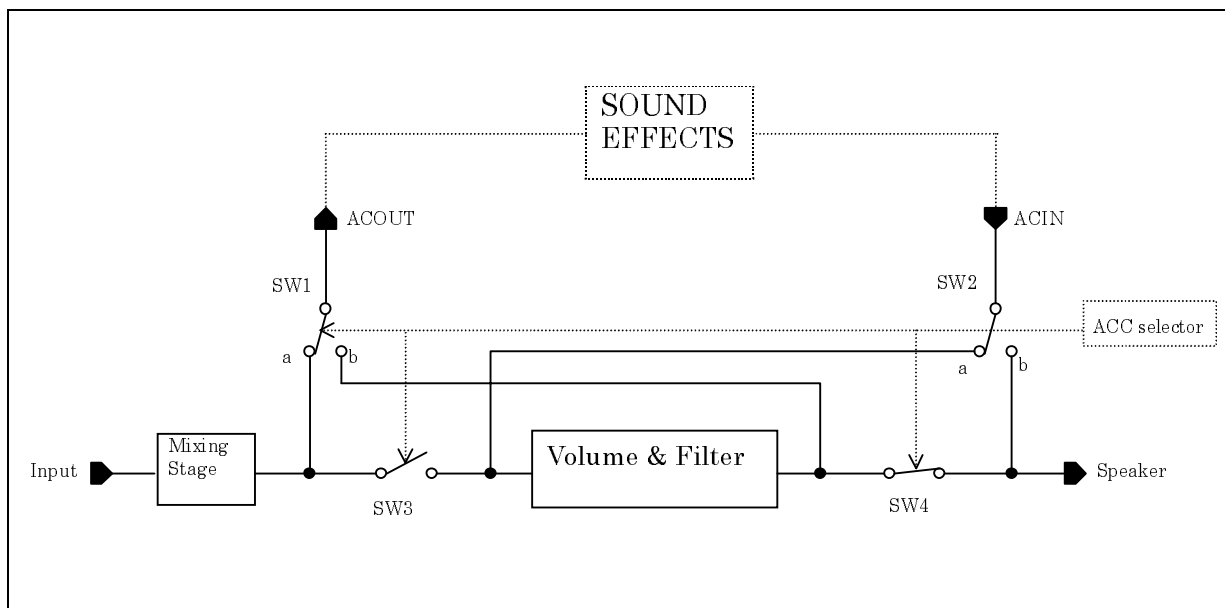
**Figure 13. Treble Center Frequencies @ Gain = 15dB**



### 1.9 External AC - Coupling

TDA7404D has external AC - coupling terminals which can be selected one of two positions behind the Mixing stage or Bass filter.

**Figure 14. External AC - Coupling**



## TDA7404D

The External AC - Coupling is selected in position of four switches controlled by the lower 2bit in the Others selection. (See table)

### Others selection

D1	D0	Switch position
X	0	SW3 = ON , SW4 = ON (selected internal pass), SW1 = b , SW2 = open
0	1	SW3 = OFF , SW4 = ON, SW1 = a , SW2 = a
1	1	SW3 = ON , SW4 = OFF, SW1 = b , SW2 = b

### 1.10 Speaker Attenuator

Due to practical aspects the steps in the speaker-attenuators are not linear over the full range. At attenuations more than 24dB the steps increase from 1.5dB to 10dB (please see data byte specification).

### 1.11 Subwoofer Attenuator

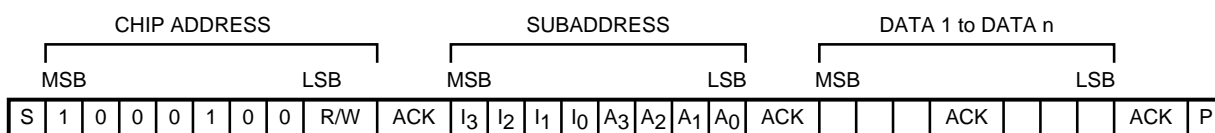
The Subwoofer output is a single ended stereo output. The attenuator is exactly the same like the other speakers.

## 2.0 I<sup>2</sup>C BUS INTERFACE

### 2.1 Interface Protocol

The interface protocol comprises:

- a start condition (S)
- a chip address byte (the LSB bit determines read / write transmission)
- a subaddress byte
- a sequence of data (N-bytes + acknowledge)
- a stop condition (P)
- the max. CLOCK SPEED is 500kbits/s



D99AU1044

S = Start

R/W = "0" -> Receive-Mode (Chip could be programmed by P)

"1" -> Transmission-Mode (Data could be received by P)

ACK = Acknowledge

P = Stop

### 2.2 TRANSMITTED DATA (send mode)

MSB							LSB
X	X	X	X	X	X	X	SM

SM = Soft mute activated

X = Not Used

The transmitted data is automatic updated after each ACK. Transmission can be repeated without new chipaddress.



### 2.3 Reset Condition

A Power-On-Reset is invoked if the Supply-Voltage is below than 3.5V. After that the following data is written automatically into the registers of all subaddresses :

MSB							LSB
1	1	1	1	1	1	1	0

The programming after POR is marked bold-face / underlined in the programming tables.

With this programming all the outputs are muted to  $V_{REF}$  ( $V_{OUT} = V_{DD}/2$ ).

Note : All the blank bits in the following tables are "don't care"-bits.

### 2.4 SUBADDRESS (receive mode)

MSB							LSB		FUNCTION
I <sub>3</sub>	I <sub>2</sub>	I <sub>1</sub>	I <sub>0</sub>	A <sub>3</sub>	A <sub>2</sub>	A <sub>1</sub>	A <sub>0</sub>		
0 1								<b>Zero cross / Soft Mute</b> <sup>1</sup> Zero Cross available Soft Mute available	
	0 1							<b>AutoZero Remain</b> <sup>2</sup> off on	
		0 1						<b>Testmode</b> <sup>3</sup> off on	
			0 1					<b>Auto-Increment Mode</b> <sup>4</sup> off on	
				0 0 0 0 0 0 0 0 1 1 1 1 1 1	0 0 0 0 1 1 1 0 0 1 0 1 1	0 0 1 1 0 1 1 0 0 1 1 0 0	0 1 0 1 0 1 0 1 0 1 0 0 0 1	Input Selector / Gain Loudness Volume Treble Bass Speaker attenuator LF / Bass Fc select Speaker attenuator RF Speaker attenuator LR Speaker attenuator RR Subwoofer attenuator LSW Subwoofer attenuator RSW SoftMute / Mixing Others selection Testing	

<sup>1</sup> For more information see Soft Mute-section

<sup>2</sup> For more information see AutoZero-section

<sup>3</sup> For more information see Test Programming block

<sup>4</sup> If this bit is set to "1", the subaddress is automatically incremented after the transmission of a data-byte.  
Therefore a transmission of more than one byte without sending the new subaddress is possible.

2.5 DATA BYTE SPECIFICATION

2.5.1 Input Selector / Gain

MSB							LSB	FUNCTION
D7	D6	D5	D4	D3	D2	D1	D0	
					0	0	0	<b>Source Selector</b> Mono Differential
					0	0	1	Single Ended 1
					0	1	0	Mute
					0	1	1	Single Ended 2
					1	0	0	Pseudo Differential / Single Ended 4
					1	0	1	Single Ended 3
					<b>1</b>	<b>1</b>	<b>0</b>	<b>Mute</b>
					1	1	1	Beep
0	0	0	0	0				<b>Input Gain</b> 0dB
0	0	0	0	1				1dB
0	0	0	1	0				2dB
0	0	0	1	1				3dB
0	0	1	0	0				4dB
0	0	1	0	1				5dB
0	0	1	1	0				6dB
0	0	1	1	1				7dB
0	1	0	0	0				8dB
0	1	0	0	1				9dB
0	1	0	1	0				10dB
0	1	0	1	1				11dB
0	1	1	0	0				12dB
0	1	1	0	1				13dB
0	1	1	1	0				14dB
0	1	1	1	1				16dB
1	X	X	X	0				18dB
1	X	X	X	1				<b>20dB</b>

2.5.2 Loudness

MSB							LSB	LOUDNESS
D7	D6	D5	D4	D3	D2	D1	D0	
				0	0	0	0	<b>Attenuation</b> 0 dB
				0	0	0	1	-1 dB
				:	:	:	:	:
				<b>1</b>	<b>1</b>	<b>1</b>	<b>0</b>	<b>-14 dB</b>
				1	1	1	1	-15 dB
	0	0	0					<b>Filter / Center Frequency</b> off(flat) 'D6 must be = 0'
		0	1					400Hz
		1	0					800Hz
		<b>1</b>	<b>1</b>					<b>2.4KHz</b>
	0							<b>Shape</b> Low Boost
	<b>1</b>							<b>Low &amp; High Boost</b>
0								<b>SoftStep-Volume</b> off
<b>1</b>								<b>on</b>

Note 1: The attenuation is specified at high frequencies. Around the center frequency the value is different depending on the programmed attenuation (see Loudness-frequency-response).

## 2.5.3 Volume

MSB							LSB	ATTENUATION
D7	D6	D5	D4	D3	D2	D1	D0	
	0	0	0	0	0	0	0	<b>Gain/Attenuation</b>
	0	0	0	0	0	0	1	not allow
	0	0	0	0	0	1	0	+30.0dB
	0	0	0	0	0	1	1	+29.0dB
								:
	0	0	1	1	1	1	1	+1.0dB
	0	1	0	0	0	0	0	0.0dB
	0	1	0	0	0	0	1	- 1.0dB
	0	1	0	0	0	1	0	- 2.0dB
								:
	1	1	0	1	1	1	0	-78.0dB
	1	1	0	1	1	1	1	-79.0dB
	1	1	1	X	X	X	X	<b>Mute</b>
0								<b>Diffin - mode</b>
1								Single ended stereo
								Differential Stereo

**Note 2:** It is not recommended to use a gain more than 20dB for system performance reason. In general, the max. gain should be limited by software to the maximum value, which is needed for the system.

## 2.5.4 Treble Programming

MSB							LSB	BASS & TREBLE PROGRAMMING
D7	D6	D5	D4	D3	D2	D1	D0	
				0	0	0	0	<b>Treble Steps</b>
				0	0	0	1	15dB
				0	0	1	0	14dB
				0	0	1	1	13dB
				0	1	0	0	12dB
				0	1	0	1	11dB
				0	1	1	0	10dB
				0	1	1	1	9dB
				1	0	0	0	8dB
				1	0	0	1	7dB
				1	0	1	0	6dB
				1	0	1	1	5dB
				1	1	0	0	4dB
				1	1	0	1	3dB
				1	1	0	1	2dB
				1	1	1	0	<b>1dB</b>
				1	1	1	1	0dB
			0					<b>Mode</b>
			1					Cut
								<b>Boost</b>
								<b>Treble Center Frequency</b>
X	0	0						10KHz
X	0	1						12.5KHz
X	1	0						15KHz
X	1	1						17.5KHz

2.5.5 Bass Programming

MSB							LSB	BASS & TREBLE PROGRAMMING
D7	D6	D5	D4	D3	D2	D1	D0	
				0	0	0	0	<b>Bass Steps</b>
				0	0	0	1	15dB
				0	0	1	0	14dB
				0	0	1	1	13dB
				0	1	0	0	12dB
				0	1	0	1	11dB
				0	1	1	0	10dB
				0	1	1	1	9dB
				1	1	1	1	8dB
				1	0	0	0	7dB
				1	0	0	1	6dB
				1	0	1	0	5dB
				1	0	1	1	4dB
				1	1	0	0	3dB
				1	1	0	1	2dB
				1	1	1	0	<b>1dB</b>
				1	1	1	1	0dB
			0					<b>Mode</b>
			1					Cut
								<b>Boost</b>
	0	0						<b>Quality Factor</b>
	0	1						1
	1	0						1.25
	1	1						1.5
								<b>2</b>
0								<b>DC - Mode</b>
1								Off
								<b>On</b>

Note 3: For more information please refer to section Bass description

2.5.6 Speaker Attenuator Left Front

MSB							LSB	ATTENUATION / BASS CF
D7	D6	D5	D4	D3	D2	D1	D0	
		0	0	0	0	0	0	<b>Attenuation</b>
		0	0	0	0	0	1	0 dB
		:	:	:	:	:	:	-1 dB
		0	1	0	1	1	1	-23 dB
		0	1	1	0	0	0	-24.5dB
		0	1	1	0	0	1	-26 dB
		0	1	1	0	1	0	-28 dB
		0	1	1	0	1	1	-30 dB
		0	1	1	1	0	0	-32 dB
		0	1	1	1	0	1	-35 dB
		0	1	1	1	1	0	-40 dB
		0	1	1	1	1	1	-50 dB
		1	X	X	X	X	X	<b>Speaker Mute</b>
0	0							<b>Bass Center-Frequency</b>
0	1							60Hz
1	0							80Hz
1	1							100Hz
								<b>200Hz</b>

## 2.5.7 Speaker Attenuator Right Front

MSB							LSB	ATTENUATION
D <sub>7</sub>	D <sub>6</sub>	D <sub>5</sub>	D <sub>4</sub>	D <sub>3</sub>	D <sub>2</sub>	D <sub>1</sub>	D <sub>0</sub>	
		0	0	0	0	0	0	Attenuation 0 dB
		0	0	0	0	0	1	-1 dB
		:	:	:	:	:	:	:
		0	1	0	1	1	1	-23 dB
		0	1	1	0	0	0	-24.5dB
		0	1	1	0	0	1	-26 dB
		0	1	1	0	1	0	-28 dB
		0	1	1	0	1	1	-30 dB
		0	1	1	1	0	0	-32 dB
		0	1	1	1	0	1	-35 dB
		0	1	1	1	1	0	-40 dB
		0	1	1	1	1	1	-50 dB
X	X	1	X	X	X	X	X	Speaker Mute

## 2.5.8 Speaker Attenuator Left Rear

MSB							LSB	ATTENUATION / Soft Step Time
D <sub>7</sub>	D <sub>6</sub>	D <sub>5</sub>	D <sub>4</sub>	D <sub>3</sub>	D <sub>2</sub>	D <sub>1</sub>	D <sub>0</sub>	
		0	0	0	0	0	0	Attenuation 0 dB
		0	0	0	0	0	1	-1 dB
		:	:	:	:	:	:	:
		0	1	0	1	1	1	-23 dB
		0	1	1	0	0	0	-24.5dB
		0	1	1	0	0	1	-26 dB
		0	1	1	0	1	0	-28 dB
		0	1	1	0	1	1	-30 dB
		0	1	1	1	0	0	-32 dB
		0	1	1	1	0	1	-35 dB
		0	1	1	1	1	0	-40 dB
		0	1	1	1	1	1	-50 dB
X	X	1	X	X	X	X	X	Speaker Mute

2.5.9 Speaker Attenuator Right Rear

MSB							LSB	ATTENUATION
D7	D6	D5	D4	D3	D2	D1	D0	
		0	0	0	0	0	0	Attenuation 0 dB
		0	0	0	0	0	1	-1 dB
		:	:	:	:	:	:	:
		0	1	0	1	1	1	-23 dB
		0	1	1	0	0	0	-24.5dB
		0	1	1	0	0	1	-26 dB
		0	1	1	0	1	0	-28 dB
		0	1	1	0	1	1	-30 dB
		0	1	1	1	0	0	-32 dB
		0	1	1	1	1	0	-35 dB
		0	1	1	1	1	0	-40 dB
		0	1	1	1	1	1	-50 dB
X	X	1	X	X	X	X	X	Speaker Mute

2.5.10 Subwoofer Attenuator (Left & Right)

MSB							LSB	FUNCTION
D7	D6	D5	D4	D3	D2	D1	D0	
		0	0	0	0	0	0	Attenuation 0 dB
		0	0	0	0	0	1	-1 dB
		:	:	:	:	:	:	:
		0	1	0	1	1	1	-23 dB
		0	1	1	0	0	0	-24.5dB
		0	1	1	0	0	1	-26 dB
		0	1	1	0	1	0	-28 dB
		0	1	1	0	1	1	-30 dB
		0	1	1	1	0	0	-32 dB
		0	1	1	1	0	1	-35 dB
		0	1	1	1	1	0	-40 dB
		0	1	1	1	1	1	-50 dB
X	X	1	X	X	X	X	X	Speaker Mute

## 2.5.11 SoftMute and Mixing

MSB							LSB	FUNCTION
D7	D6	D5	D4	D3	D2	D1	D0	
							0 1	<b>Mute</b> enable SoftMute disable SoftMute
					0 0 1 1	0 1 0 1		<b>Mute/Zero Cross-Times</b> 0.48ms 0.96ms 30.7ms / 9ms <b>122.8ms / 37ms</b>
				0 1				Mixing-Source Beep <b>Phone</b>
		0 0 1 1	0 1 0 1					<b>Mixing-Level (Main / Mix-Source)</b> -12 / -2.5dB -6 / -6dB -3.5 / -9.6dB <b>0 / ∞</b>
0 0 1 1	0 1 0 1							<b>Beep Frequency</b> 781Hz 1.56KHz Not allow <b>1.8KHz</b>

## 2.5.12 Others

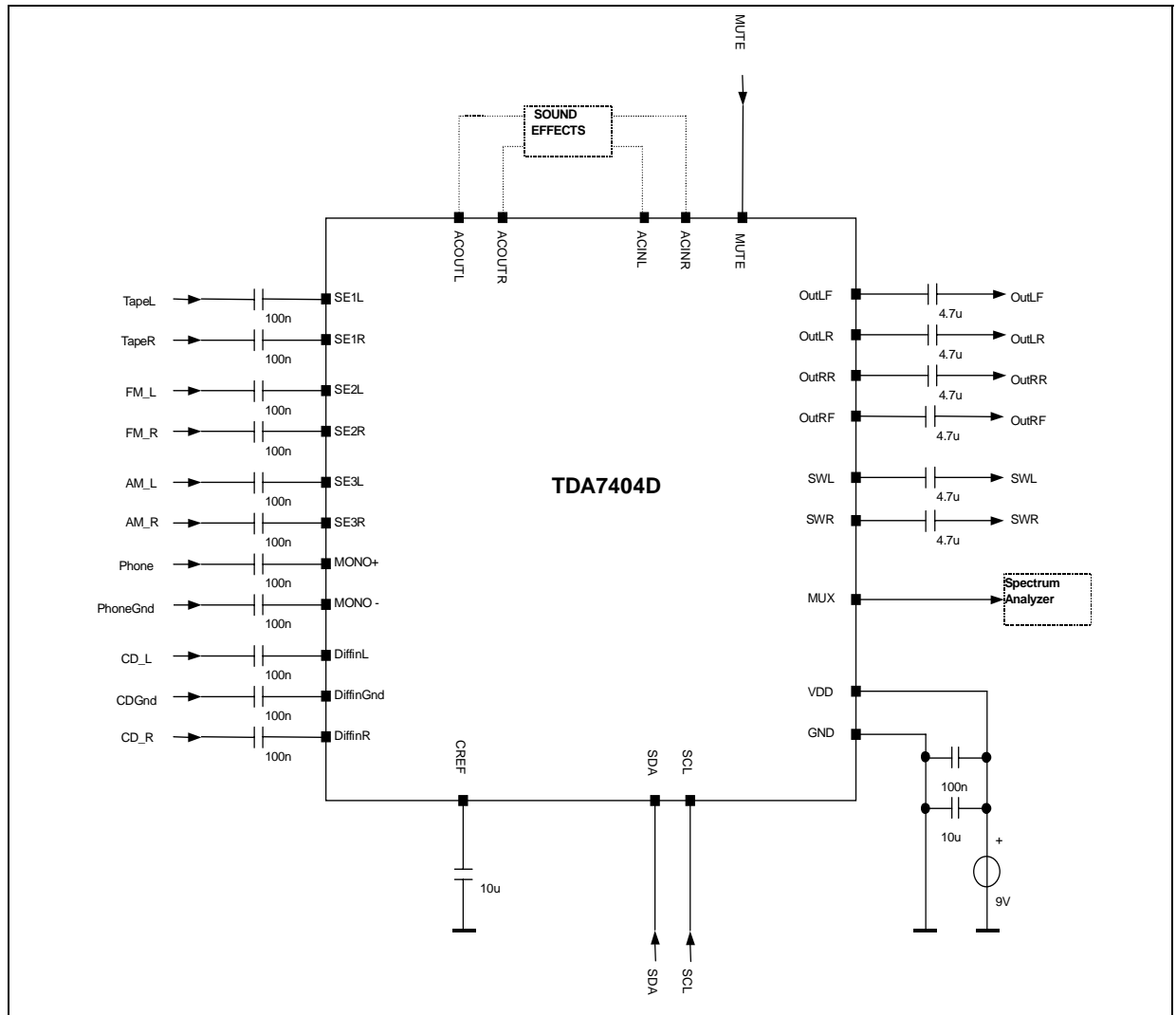
MSB							LSB	FUNCTION
D7	D6	D5	D4	D3	D2	D1	D0	
						X 0 1	0 1 1	<b>AC-Coupling</b> <b>Internal pass</b> Coupling between Mixing Stage and Volume Coupling between Bass filter and Speaker attenuator
				1	1			Must be "1" for make up Must be "1" for make up
		0 0 1 1	0 1 0 1					<b>Soft Step Time</b> 0.68ms 1.26ms 2.52ms <b>5.04ms</b>
	1							Must be "1" for Auto zero
0 1								<b>Internal Beep</b> Off <b>ON</b>

# TDA7404D

## 2.5.13 Testing

MSB							LSB	Testing
D7	D6	D5	D4	D3	D2	D1	D0	
		X X	X X	X X			0 1	<b>Main-Testmode</b> off on
		X X	X X	X X		0 1		<b>Test-Multiplexer</b> internal 200kHz Clock <b>internal Bandgap Voltage</b>
		X X	X X	X X	0 1			<b>Clock</b> external <b>internal</b>
1	1							must be "1"

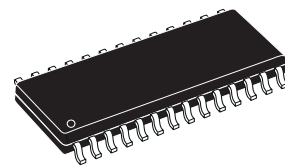
Figure 15. TDA7404D Application Circuit



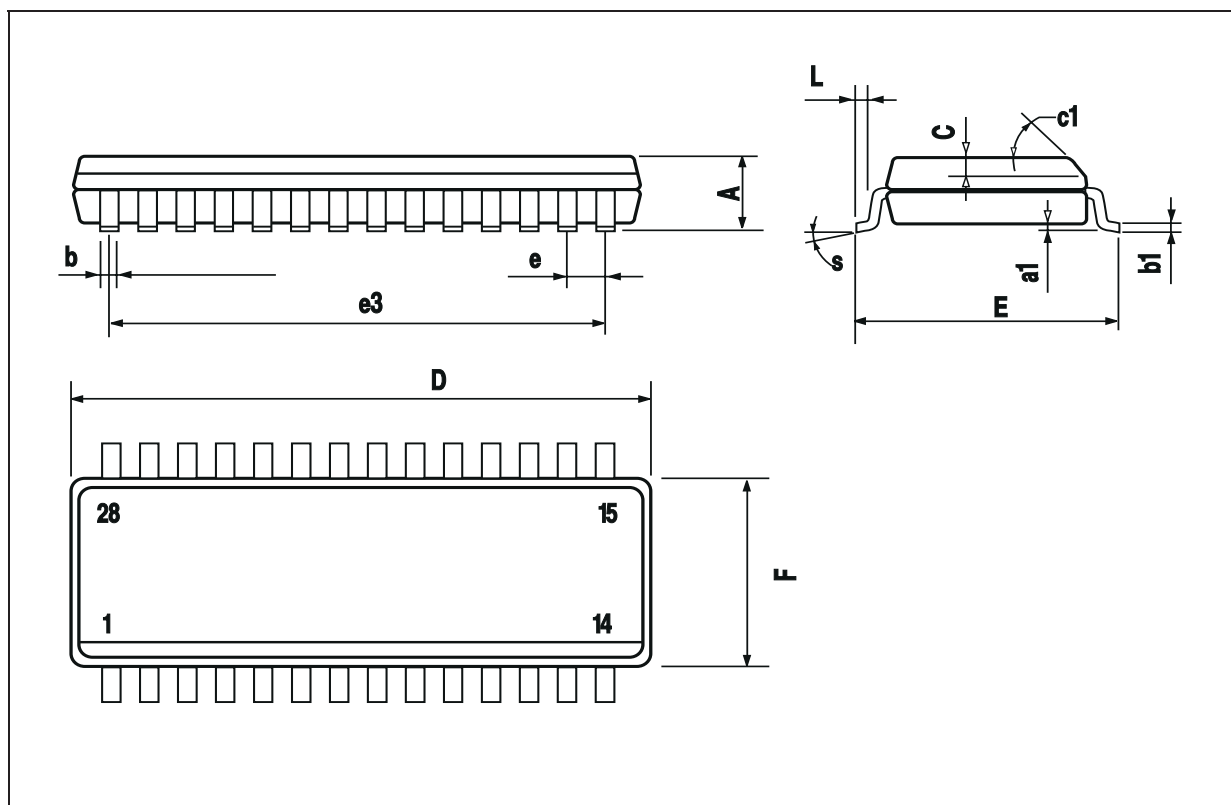


DIM.	mm			inch		
	MIN.	TYP.	MAX.	MIN.	TYP.	MAX.
A			2.65			0.104
a1	0.1		0.3	0.004		0.012
b	0.35		0.49	0.014		0.019
b1	0.23		0.32	0.009		0.013
C		0.5			0.020	
c1	45° (typ.)					
D	17.7		18.1	0.697		0.713
E	10		10.65	0.394		0.419
e		1.27			0.050	
e3		16.51			0.65	
F	7.4		7.6	0.291		0.299
L	0.4		1.27	0.016		0.050
S	8° (max.)					

**OUTLINE AND MECHANICAL DATA**



**SO28**



Information furnished is believed to be accurate and reliable. However, STMicroelectronics assumes no responsibility for the consequences of use of such information nor for any infringement of patents or other rights of third parties which may result from its use. No license is granted by implication or otherwise under any patent or patent rights of STMicroelectronics. Specifications mentioned in this publication are subject to change without notice. This publication supersedes and replaces all information previously supplied. STMicroelectronics products are not authorized for use as critical components in life support devices or systems without express written approval of STMicroelectronics.

The ST logo is a registered trademark of STMicroelectronics  
© 2003 STMicroelectronics - All Rights Reserved

STMicroelectronics GROUP OF COMPANIES

Australia - Brazil - Canada - China - Finland - France - Germany - Hong Kong - India - Israel - Italy - Japan -Malaysia - Malta - Morocco -  
Singapore - Spain - Sweden - Switzerland - United Kingdom - United States..

<http://www.st.com>