

TOSHIBA BIPOLAR DIGITAL INTEGRATED CIRCUIT SILICON MONOLITHIC

**TD62064P, TD62064AP, TD62064F, TD62064AF**  
**TD62074P, TD62074AP, TD62074F, TD62074AF**

**4CH HIGH-CURRENT DARLINGTON SINK DRIVER**

The TD62064P/AP/F/AF and TD62074P/AP/F/AF are high-voltage, high-current darlington drivers comprised of four NPN darlington pairs.

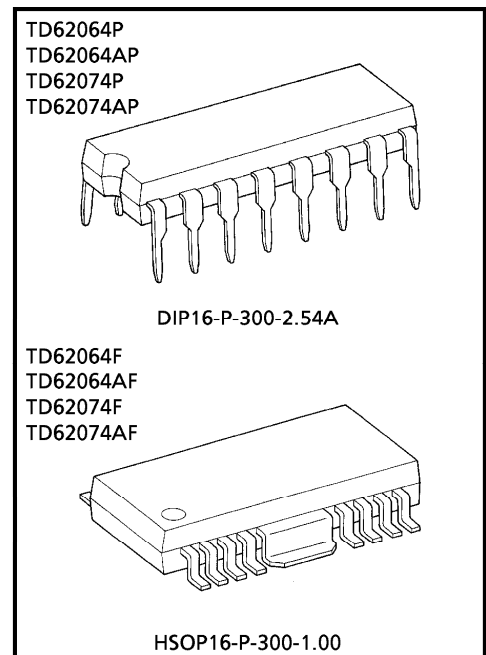
All units feature integral clamp diodes for switching inductive loads and all units of TD62074P/AP/F/AF feature uncommitted collectors and emitters for isolated darlington applications.

For proper operation, the substrate (SUB) must be connected to the most negative voltage.

Applications include relay, hammer, lamp and stepping moter drivers.

**FEATURES**

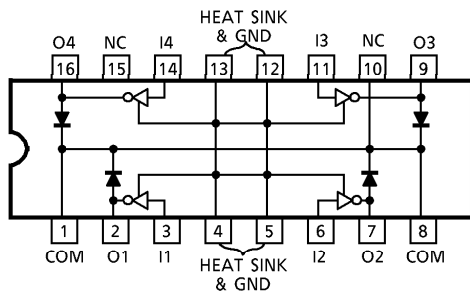
- Output current (single output) 1.5A (Max.)
- High sustaining voltage output  
 35V (Min.) (TD62064P/F, 074P/F)  
 50V (Min.) (TD62064AP/AF, 074AP/AF)
- Output clamp diodes : TD62064P/AP/F/AF
- Isolated darlington array : TD62074P/AP/F/AF
- Input compatible with TTL and 5V CMOS
- GND and SUB terminal = heat sink
- Package type-P, AP : DIP-16pin
- Package type-F, AF : HSOP-16pin



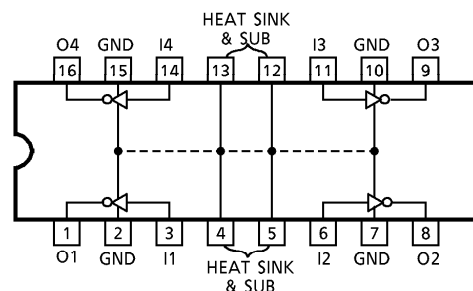
Weight  
 DIP16-P-300-2.54A : 1.11g (Typ.)  
 HSOP16-P-300-1.00 : 0.50g (Typ.)

**PIN CONNECTION (TOP VIEW)**

TD62064P/AP



TD62074P/AP



961001EBA2

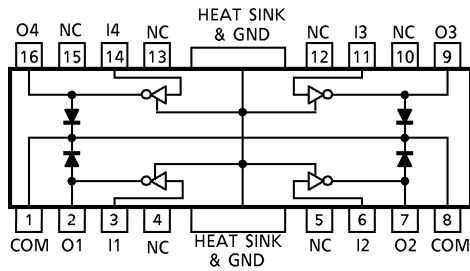
● TOSHIBA is continually working to improve the quality and the reliability of its products. Nevertheless, semiconductor devices in general can malfunction or fail due to their inherent electrical sensitivity and vulnerability to physical stress. It is the responsibility of the buyer, when utilizing TOSHIBA products, to observe standards of safety, and to avoid situations in which a malfunction or failure of a TOSHIBA product could cause loss of human life, bodily injury or damage to property. In developing your designs, please ensure that TOSHIBA products are used within specified operating ranges as set forth in the most recent products specifications. Also, please keep in mind the precautions and conditions set forth in the TOSHIBA Semiconductor Reliability Handbook.

● The products described in this document are subject to foreign exchange and foreign trade control laws.

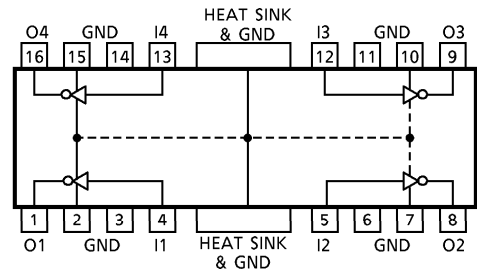
● The information contained herein is presented only as a guide for the applications of our products. No responsibility is assumed by TOSHIBA CORPORATION for any infringements of intellectual property or other rights of the third parties which may result from its use. No license is granted by implication or otherwise under any intellectual property or other rights of TOSHIBA CORPORATION or others.

● The information contained herein is subject to change without notice.

**TD62064F / AF**

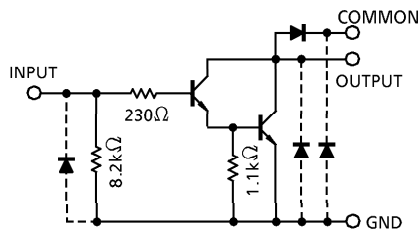


**TD62074F / AF**

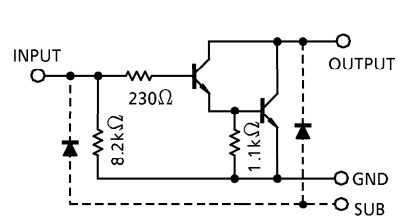


**SCHEMATICS (EACH DRIVER)**

**TD62064P / AP / F / AF**



**TD62074P / AP / F / AF**



(Note) The input and output parasitic diodes cannot be used as clamp diodes.

**MAXIMUM RATINGS (Ta = 25°C)**

CHARACTERISTIC	SYMBOL	RATING	UNIT
Output Sustaining Voltage	P, F AP, AF	$V_{CE(SUS)}$	- 0.5~35
			- 0.5~50
Output Current	$I_{OUT}$	1.5	A / ch
Input Current	$I_{IN}$	50	mA
Input Voltage	$V_{IN}$	- 0.5~17	V
Clamp Diode Reverse Voltage	P, F AP, AF	$V_R$ (Note 1)	35
			50
Clamp Diode Forward Current	$I_F$ (Note 1)	1.5	A / ch
Isolated Voltage	P, F AP, AF	$V_{SUB}$ (Note 2)	35
			50
Power Dissipation	P, AP F, AF	$P_D$	1.47 / 2.7 (Note 3)
			0.9 / 1.4 (Note 4)
Operating Temperature	$T_{opr}$	- 40~85	°C
Storage Temperature	$T_{stg}$	- 55~150	°C

(Note 1) TD62064P / AP / F / AF

(Note 2) TD62074P / AP / F / AF

(Note 3) On Glass Epoxy (50 × 50 × 1.6mm Cu 50%)

(Note 4) On Glass Epoxy (60 × 30 × 1.6mm Cu 30%)

**RECOMMENDED OPERATING CONDITIONS (Ta = -40~85°C)**

CHARACTERISTIC		SYMBOL	TEST CONDITION	MIN.	TYP.	MAX.	UNIT
Output Sustaining Voltage	P, F	V <sub>CE (SUS)</sub>		0	—	35	V
	AP, AF			0	—	50	
Output Current	P, AP (Note 1)	I <sub>OUT</sub>	DC1 Circuit, Ta = 25°C	0	—	1250	mA / ch
			T <sub>pw</sub> = 25ms 4 Circuits	Duty = 10%	0	—	
	Duty = 50%			0	—	390	
	F, AF (Note 2)		T <sub>j</sub> = 120°C	Duty = 10%	0	—	
Ta = 85°C		Duty = 50%	0	—	172		
Input Voltage		V <sub>IN</sub>		0	—	8	V
	(Output On)	V <sub>IN (ON)</sub>	I <sub>OUT</sub> = 1.25A	2.5	—	8	V
	(Output Off)	V <sub>IN (OFF)</sub>		0	—	0.4	V
Input Current		I <sub>IN</sub>		0	—	20	mA
Clamp Diode Reverse Voltage	P, F	V <sub>R</sub>	TD62064P / AP / F / AF	0	—	35	V
	AP, AF			0	—	50	
Clamp Diode Forward Current		I <sub>F</sub>		—	—	1.25	A
Isolation Voltage	P, F	V <sub>SUB</sub>	TD62074P / AP / F / AF	—	—	35	V
	AP, AF			—	—	50	
Power Dissipation	P, AP	P <sub>D</sub>	Ta = 85°C (Note 1)	—	—	1.4	W
	F, AF		Ta = 85°C (Note 2)	—	—	0.7	

(Note 1) On Glass Epoxy (50×50×1.6mm Cu 50%)

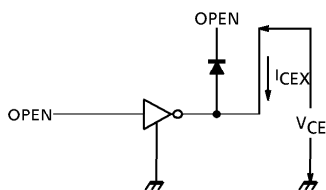
(Note 2) On Glass Epoxy (60×30×1.6mm Cu 30%)

**ELECTRICAL CHARACTERISTICS (Ta = 25°C)**

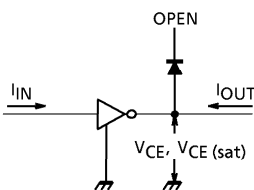
CHARACTERISTIC	SYMBOL	TEST CIR-CUIT	TEST CONDITION	MIN.	TYP.	MAX.	UNIT		
Output Leakage Current	AP, AF	1	$V_{CE} = 50V, T_a = 25^\circ C$	—	—	50	$\mu A$		
			$V_{CE} = 50V, T_a = 85^\circ C$	—	—	500			
	P, F		$V_{CE} = 35V, T_a = 25^\circ C$	—	—	50			
			$V_{CE} = 35V, T_a = 85^\circ C$	—	—	500			
Collector-Emitter Saturation Voltage	$V_{CE(sat)}$	2	$I_{OUT} = 1.25A, I_{IN} = 2mA$	—	—	1.6	V		
			$I_{OUT} = 0.75A, I_{IN} = 935\mu A$	—	—	1.25			
DC Current Transfer Ratio	$h_{FE}$	2	$V_{CE} = 2V$	$I_{OUT} = 1.0A$	—	800	—		
				$I_{OUT} = 0.25A$	—	1500			
Input Voltage (Output On)	$V_{IN(ON)}$	3	$I_{OUT} = 1.25A, I_{IN} = 2mA$	—	—	2.4	V		
Clamp Diode Leakage Current	AP, AF	4	$V_R = 50V, T_a = 25^\circ C$	—	—	50	$\mu A$		
			$V_R = 50V, T_a = 85^\circ C$	—	—	100			
	F		$V_R = 35V, T_a = 25^\circ C$	—	—	50			
			$V_R = 35V, T_a = 85^\circ C$	—	—	100			
Clamp Diode Forward Voltage	$V_F$	5	$I_F = 1.25A$	—	—	2	V		
Input Capacitance	$C_{IN}$	6	$V_{IN} = 0V, f = 1MHz$	—	15	—	pF		
Turn-On Delay	P, F	$t_{ON}$	7	$C_L = 15pF$	—	0.1	$\mu s$		
	AP, AF								
Turn-Off Delay	P, F	$t_{OFF}$			$V_{OUT} = 35V, R_L = 29\Omega$	—		1.0	—
	AP, AF				$V_{OUT} = 50V, R_L = 42\Omega$				

**TEST CIRCUIT**

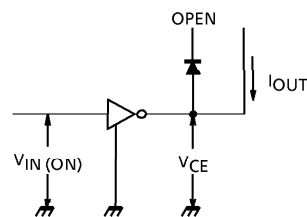
1.  $I_{CEX}$



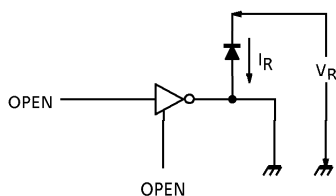
2.  $V_{CE(sat)}, h_{FE}$



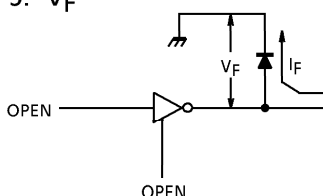
3.  $V_{IN(ON)}$



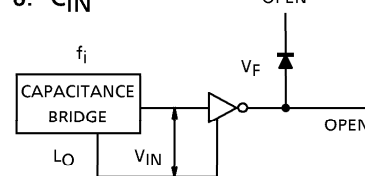
4.  $I_R$



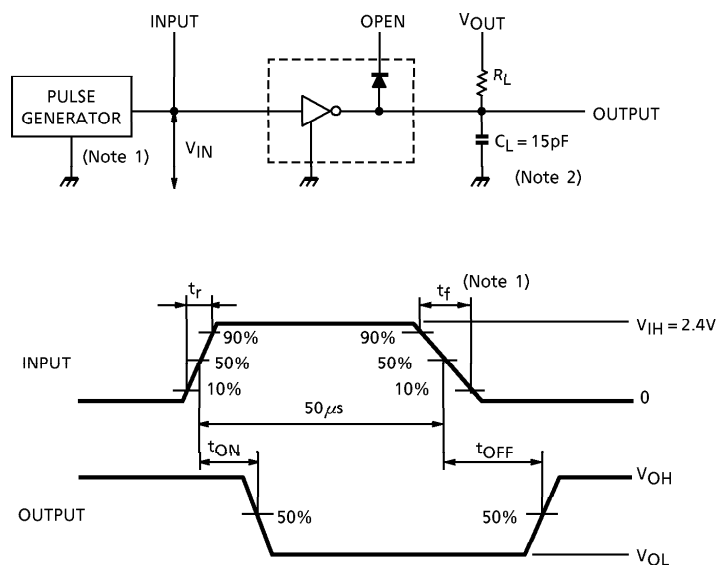
5.  $V_F$



6.  $C_{IN}$



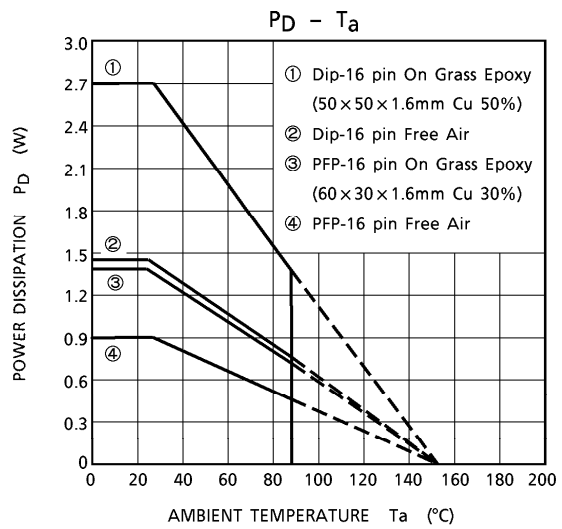
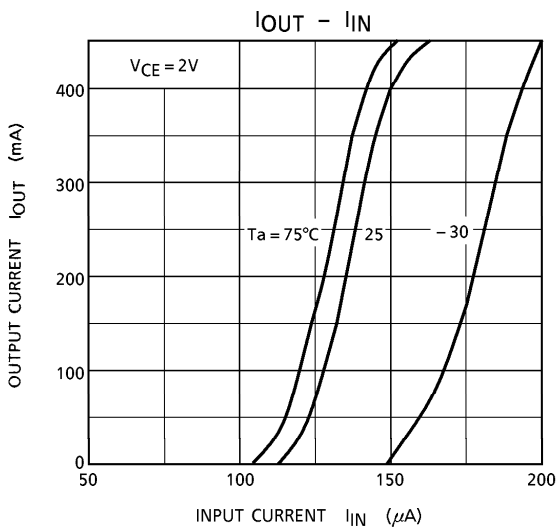
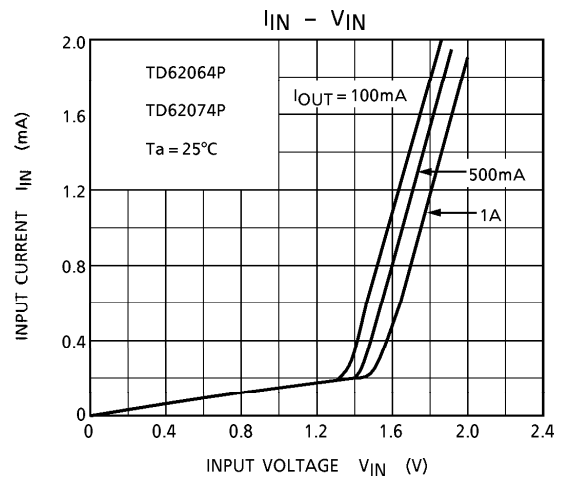
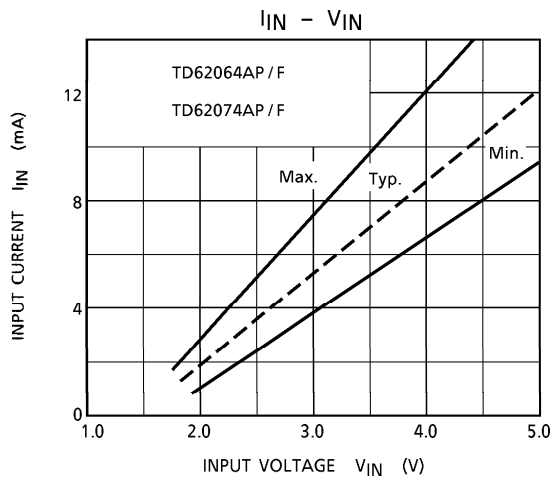
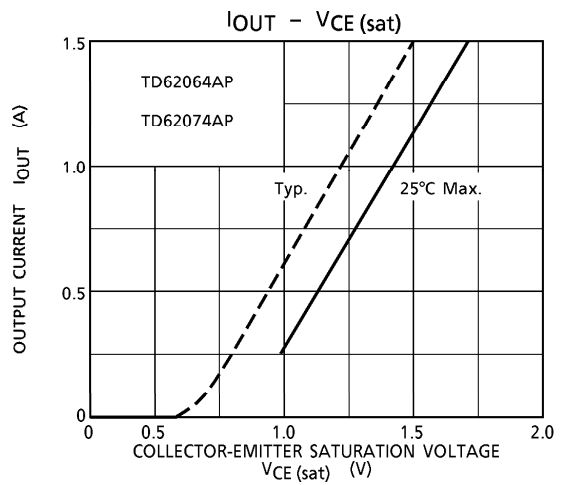
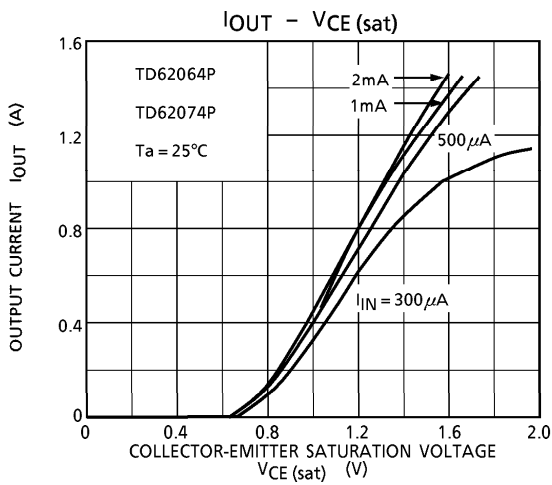
7.  $t_{ON}$ ,  $t_{OFF}$

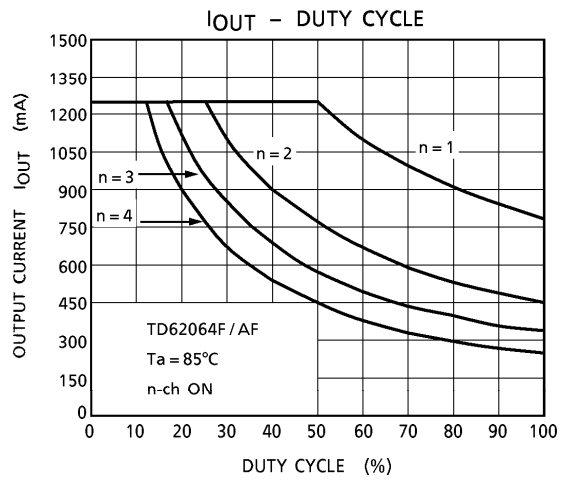
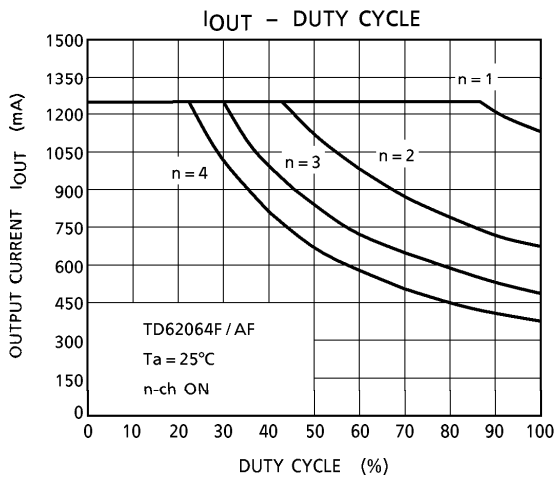
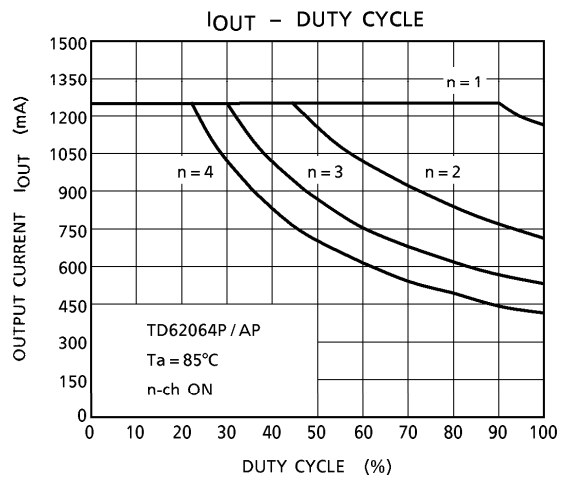
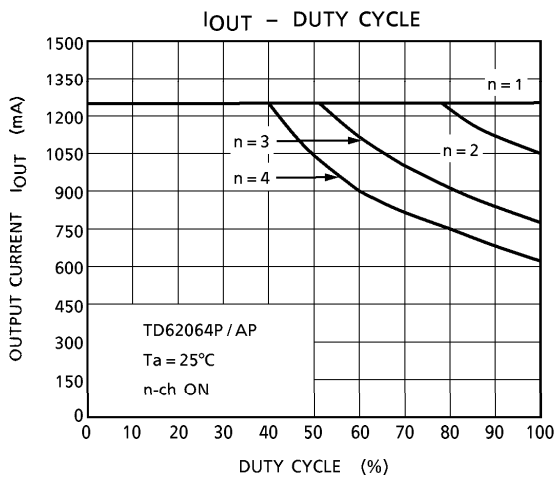


- (Note 1) Pulse Width  $50\mu s$ , Duty Cycle 10%  
Output Impedance  $50\Omega$ ,  $t_r \leq 5ns$ ,  $t_f \leq 10ns$
- (Note 2)  $C_L$  includes probe and jig capacitance

PRECAUTIONS for USING

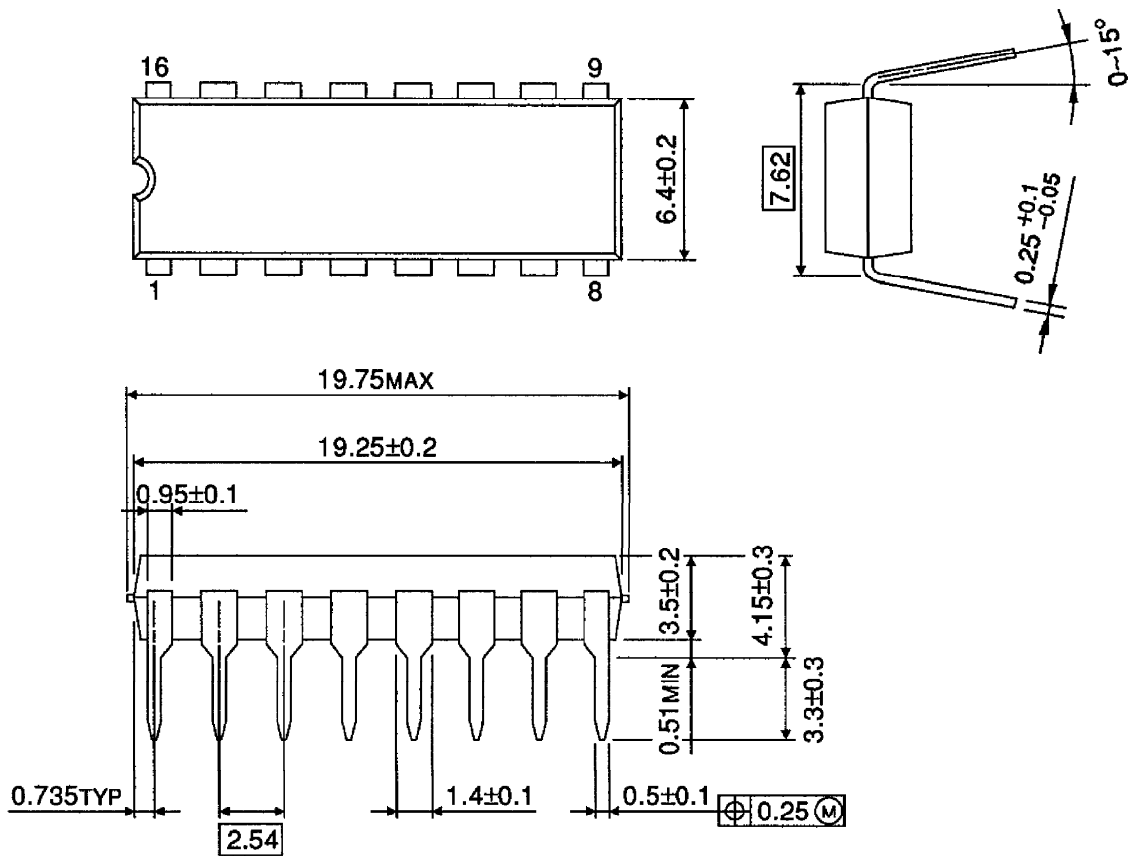
Utmost care is necessary in the design of the output line, COMMON and GND line since IC may be destroyed due to short-circuit between outputs, air contamination fault, or fault by improper grounding.





**OUTLINE DRAWING**  
DIP16-P-300-2.54A

Unit : mm

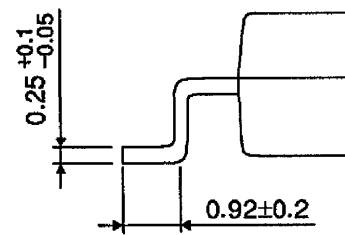
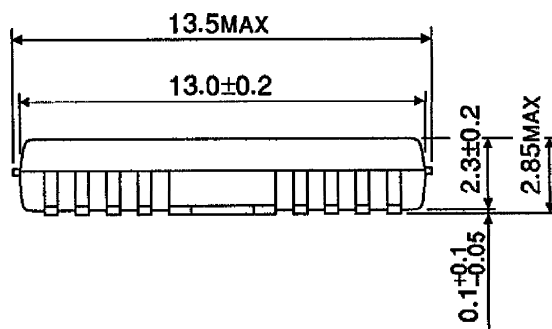
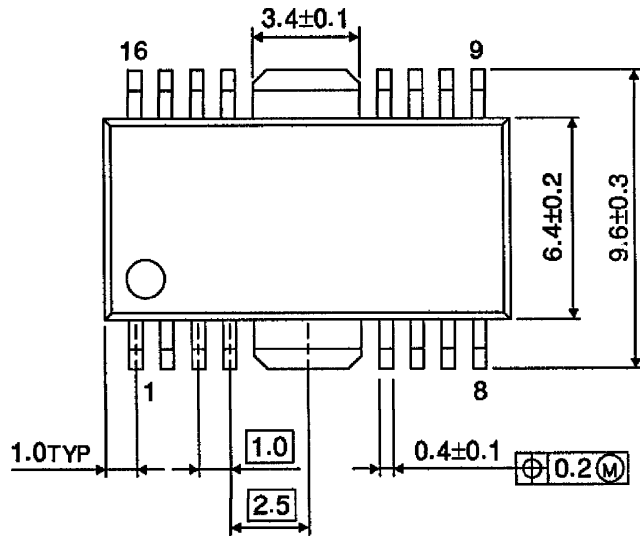


Weight : 1.11g (Typ.)



**OUTLINE DRAWING**  
HSOP16-P-300-1.00

Unit : mm



Weight : 0.50g (Typ.)