

TOSHIBA CMOS DIGITAL INTEGRATED CIRCUIT SILICON MONOLITHIC

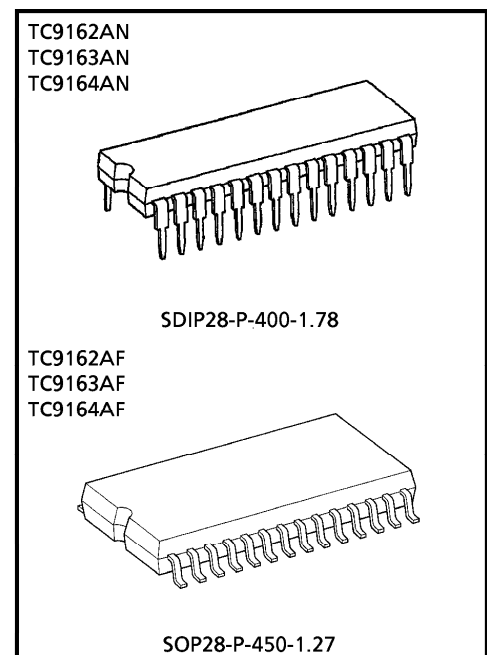
## TC9162AN, TC9163AN, TC9164AN TC9162AF, TC9163AF, TC9164AF

### HIGH VOLTAGE ANALOG FUNCTION SWITCH ARRAY

TC9162AN/AF, TC9163AN/AF and TC9164AN/AF are analog switch arrays for high voltage application. By inputting the specified serial data, the analog switches are controlled. As each analog switch is independently controllable, switch of wide use is available.

#### FEATURES

- Analog switches of 16 circuits are built in, allowing to provide three types according to internal connections.
- Dual power supply of (+) and (-) can be used. In this case the switch select data is operated in a single power supply by the built-in level shifter. As the threshold level of the input inverter is designed low, interface with CMOS microcomputer is easily available.
- As the analog switches are high-voltage (30V) use and have superior linearity of on-resistance, extra low distortion and wide dynamic range can be realized.
- Owing to CMOS structure current consumption is low.
- Package is shrunked DIP 28 PIN.



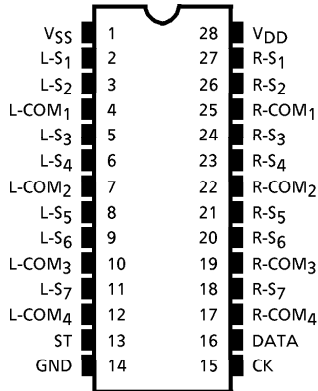
Weight  
SDIP28-P-400-1.78 : 2.2g (Typ.)  
SOP28-P-450-1.27 : 0.8g (Typ.)

980508EBA2

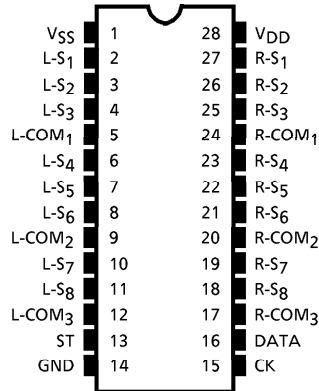
- TOSHIBA is continually working to improve the quality and the reliability of its products. Nevertheless, semiconductor devices in general can malfunction or fail due to their inherent electrical sensitivity and vulnerability to physical stress. It is the responsibility of the buyer, when utilizing TOSHIBA products, to observe standards of safety, and to avoid situations in which a malfunction or failure of a TOSHIBA product could cause loss of human life, bodily injury or damage to property. In developing your designs, please ensure that TOSHIBA products are used within specified operating ranges as set forth in the most recent products specifications. Also, please keep in mind the precautions and conditions set forth in the TOSHIBA Semiconductor Reliability Handbook.
- The products described in this document are subject to foreign exchange and foreign trade laws.
- The information contained herein is presented only as a guide for the applications of our products. No responsibility is assumed by TOSHIBA CORPORATION for any infringements of intellectual property or other rights of the third parties which may result from its use. No license is granted by implication or otherwise under any intellectual property or other rights of TOSHIBA CORPORATION or others.
- The information contained herein is subject to change without notice.

**PIN CONNECTION (TOP VIEW)**

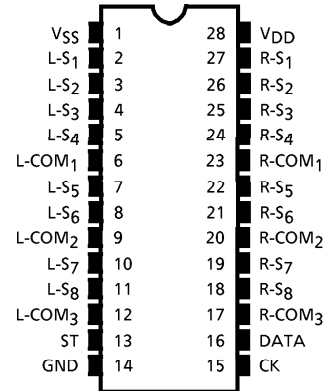
**TC9162AN / AF**



**TC9163AN / AF**

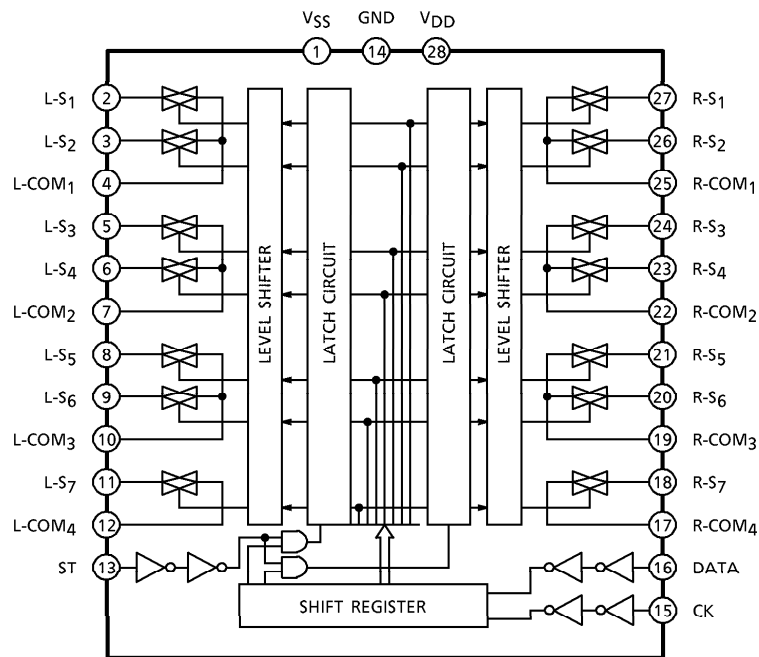


**TC9164AN / AF**

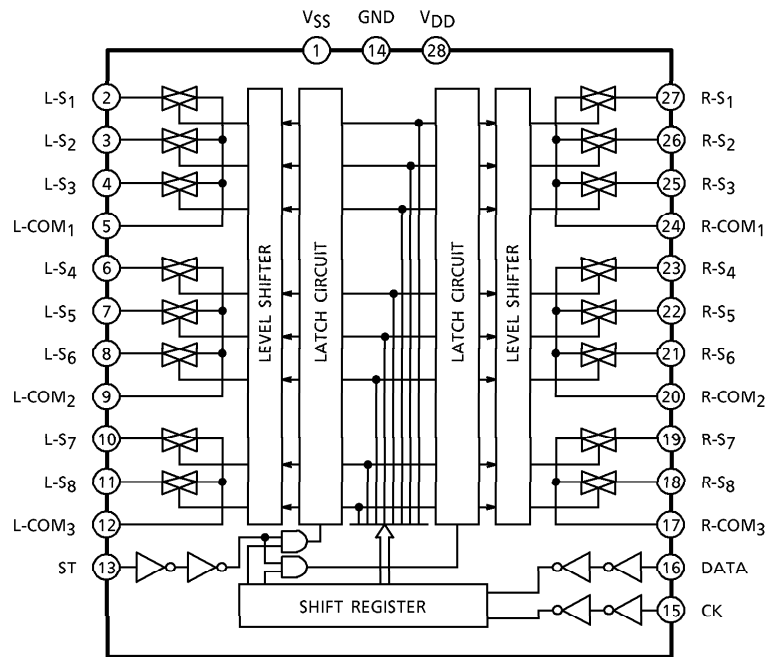


**BLOCK DIAGRAM**

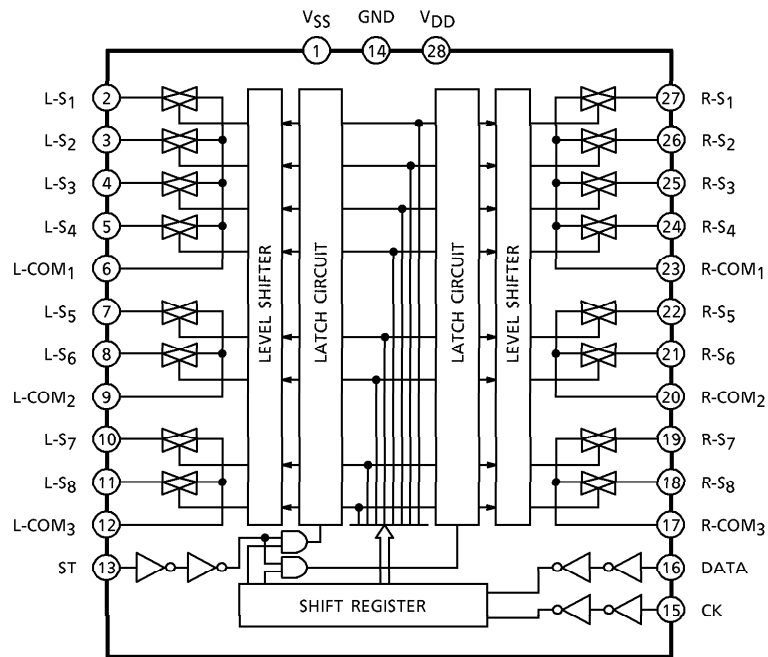
**TC9162AN / AF**



**TC9163AN / AF**



**TC9164AN / AF**



**DESCRIPTION OF PIN FUNCTIONS (L-ch / R-ch)**

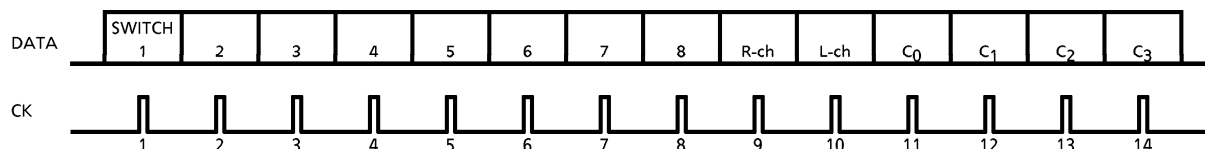
PIN No.			SYMBOL	PIN NAME	FUNCTION & OPERATION	NOTE
TC9162 AN/AF	TC9163 AN/AF	TC9164 AN/AF				
1			V <sub>SS</sub>	- Power Terminal	Applies Supply Voltage.	—
14			GND	Ground Terminal		
28			V <sub>DD</sub>	+ Power Terminal		
2 / 27	2 / 27	2 / 27	S <sub>1</sub>	Switch Input Terminal	Input & Output Terminal for Analog Switch 	—
3 / 26	3 / 26	3 / 26	S <sub>2</sub>			
5 / 24	4 / 25	4 / 25	S <sub>3</sub>			
6 / 23	6 / 23	5 / 24	S <sub>4</sub>			
8 / 21	7 / 22	7 / 22	S <sub>5</sub>			
9 / 20	8 / 21	8 / 21	S <sub>6</sub>			
—	11 / 18	11 / 18	S <sub>8</sub>			
4 / 25	5 / 24	6 / 23	COM1			
7 / 22	9 / 20	9 / 20	COM2			
10 / 19	12 / 17	12 / 17	COM3			
12 / 17	—	—	COM4			
13			ST	Strobe Input Terminal	Strobe Input for Data Interrupt	Low Threshold Input Terminal
15			CK	Clock Input Terminal	Clock Input for Data Transfer	
16			DATA	Data Input Terminal	Serial Data Input for Switch Setting	

**DESCRIPTION OF OPERATION**

**DATA INPUT**

Each analog switch array of TC9162AN / AF, TC9163AN / AF and TC9164AN / AF can be optionally controlled by inputting specified data to DATA, CK, and ST terminals.

The data are composed of 14 bit as follows.



As the bit 1~8 correspond to the analog switches 1 to 8 respectively, set the bit of the desired switch to the level "1" (see Note).

Bit 9 and 10 are channel selecting bit (left and right). When either one of these bit is set to level "1", the desired channel is selected. The selection is made both simultaneously ("1" and "1") as well as either right or left independently ("1" and "0", "0" or "1").

Bit 11 to 14 are code bit to be used for chip selection.

For example, when TC9162AN / AF, TC9163AN / AF and TC9164AN / AF are used simultaneously, if DATA, CK and ST terminals of each device are commonly connected, either one of TC9162AN / AF, TC9163AN / AF or TC9164AN / AF can be selected by these code bit data.

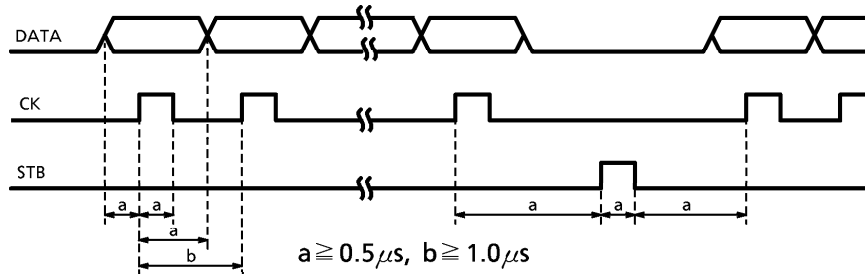
The codes are set respectively as follows :

	C <sub>0</sub>	C <sub>1</sub>	C <sub>2</sub>	C <sub>3</sub>
TC9162AN / AF	0	0	0	0
TC9163AN / AF	1	0	0	0
TC9164AN / AF	0	1	0	0

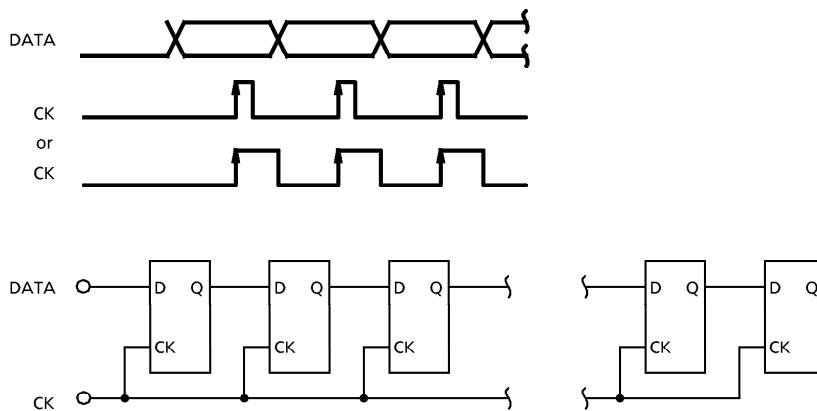
Note : As for TC9162AN / AF, the switch consists of 7 circuits.  
So the 8bit must be used at level "0".

**TIMING OF DATA, CK and ST**

Input data to the DATA, CK and ST terminals in the following timing conditions.



The data to the DATA terminal is input to the internal shift registers sequentially with synchronizing to the rise of the input to the CK terminal.



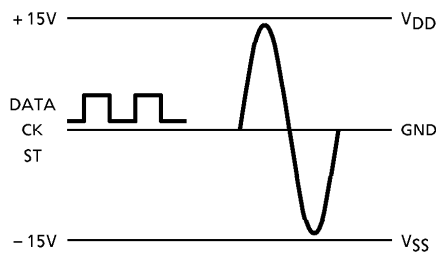
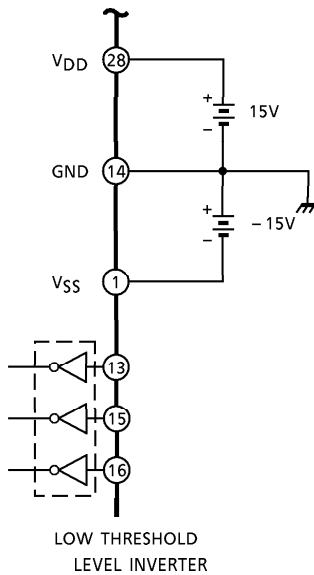
The input data are finally transferred to the latch circuit from the shift register by the ST signal, updating the previous data.

**POWER SUPPLY CORRELATIONS**

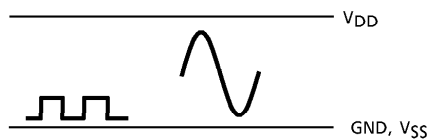
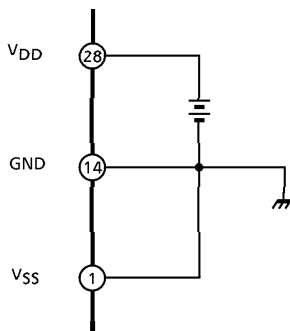
As the power supply sequence of analog switch part and control part, the analog part can be used by a dual power supply of (+) and (-), in which case, the control part operates in single power supply.

As the threshold level of the terminals of CK, DATA and ST are designed to low, CMOS microcomputers of 5V system can be easily interfaced in.

○ USE OF DUAL POWER SUPPLY



○ USE OF SINGLE POWER SUPPLY



The operating voltage range of a single power supply use is half of a dual power supply use.

## MAXIMUM RATINGS (Ta = 25°C)

CHARACTERISTIC	SYMBOL	RATING	UNIT
Supply Voltage (1)	$V_{DD} - V_{SS}$	-0.3~36	V
Supply Voltage (2)	$V_{DD} - GND$	-0.3~20	V
Input Voltage	$V_{IN}$	$V_{SS} - 0.3 \sim V_{DD} + 0.3$	V
Power Dissipation	$P_D$	300	mW
Operating temperature	$T_{opr}$	-40~85	°C
Storage Temperature	$T_{stg}$	-65~150	°C

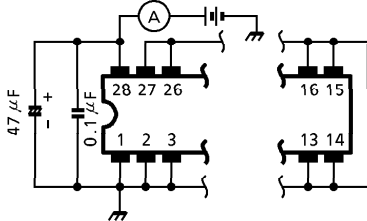
ELECTRICAL CHARACTERISTICS (Unless otherwise specified,  $V_{DD} = 15V$ ,  $V_{SS} = -15V$ ,  $GND = 0V$ ,  $T_a = 25^\circ C$ )

CHARACTERISTIC	SYMBOL	TEST CIRCUIT	TEST CONDITION	MIN.	TYP.	MAX.	UNIT
Operating Supply Voltage (1)	$V_{DD} - V_{SS}$	—	Dual power operation	16	~	34	V
Operating Supply Voltage (2)	$V_{DD} - GND$	—	Single power operaiton	8	~	18	V
Operating Supply Current	$I_{DD}$	—	No loaded, open	—	0.01	0.1	mA
Back-up Voltage	$V_B$	—	Data holding voltage	4	~	18	V
Back-up Current	$I_B$	—	$V_{DD} = 4.0V$ , $V_{SS} = GND = 0V$	—	1	10	$\mu A$
Input Voltage	"H" level	$V_{IH}$	CK, DATA, ST terminal	4	~	$V_{DD}$	V
	"L" level	$V_{IL}$		GND	~	1.0	
Operating Min. Pulse Width	$t_{Min}$	—	—	0.5	—	—	$\mu s$
Switch-on Resistance	$R_{ON}$	2	—	—	80	100	$\Omega$
Total Harmonic Distortion	THD	3	$f_{in} = 0 \sim 20kHz$ , $V_{in} = 1V_{rms}$	—	0.001	0.005	%
Noise Voltage	$V_{NO}$	4	$f = 20 \sim 50kHz$	—	1.0	10	$\mu V_{rms}$

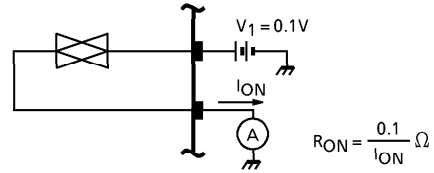


**APPLICATION CIRCUIT**

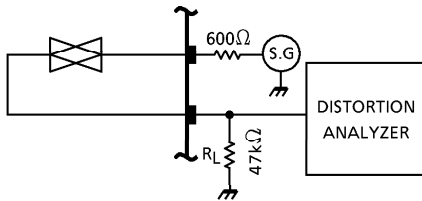
**1. BACK-UP CIRCUIT**



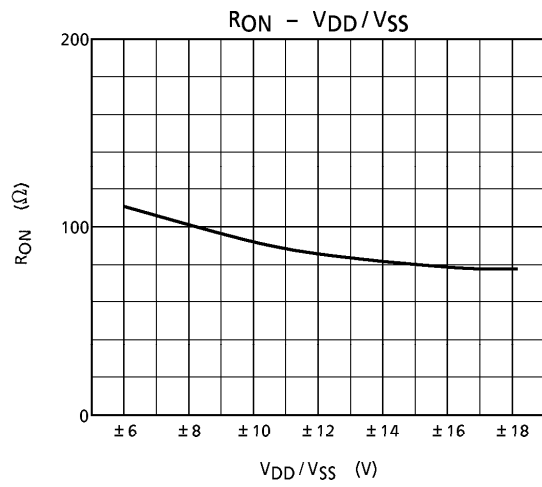
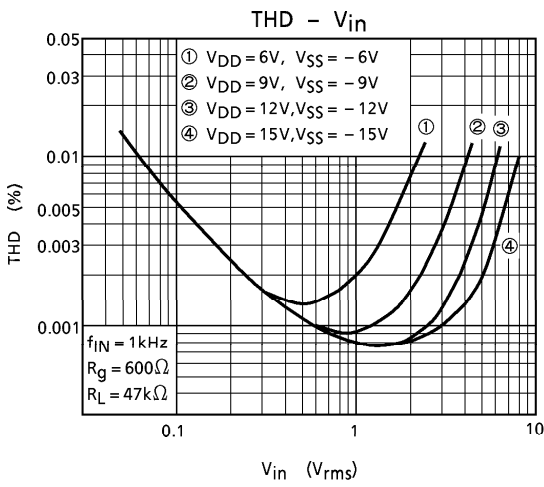
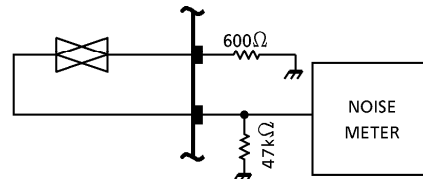
**2. SWITCH-ON RESISTANCE**



**3. TOTAL HARMONIC DISCRPTION**



**4. NOISE VOLTAGE**

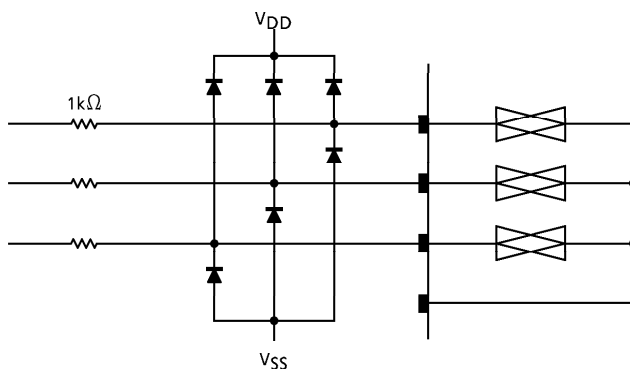


**APPLICATION INFORMATION****1. AT POWER ON**

When a voltage is applied, the analog switch is under an unstable condition.  
Provide external measures such as muting until the data is finally set.

**2. PROTECTION AGAINST EXCESS INPUT**

When there is a possibility of inputting an excess voltage, more than  $V_{DD}-V_{SS}$ , to the analog switch, add a protective circuit as shown below :

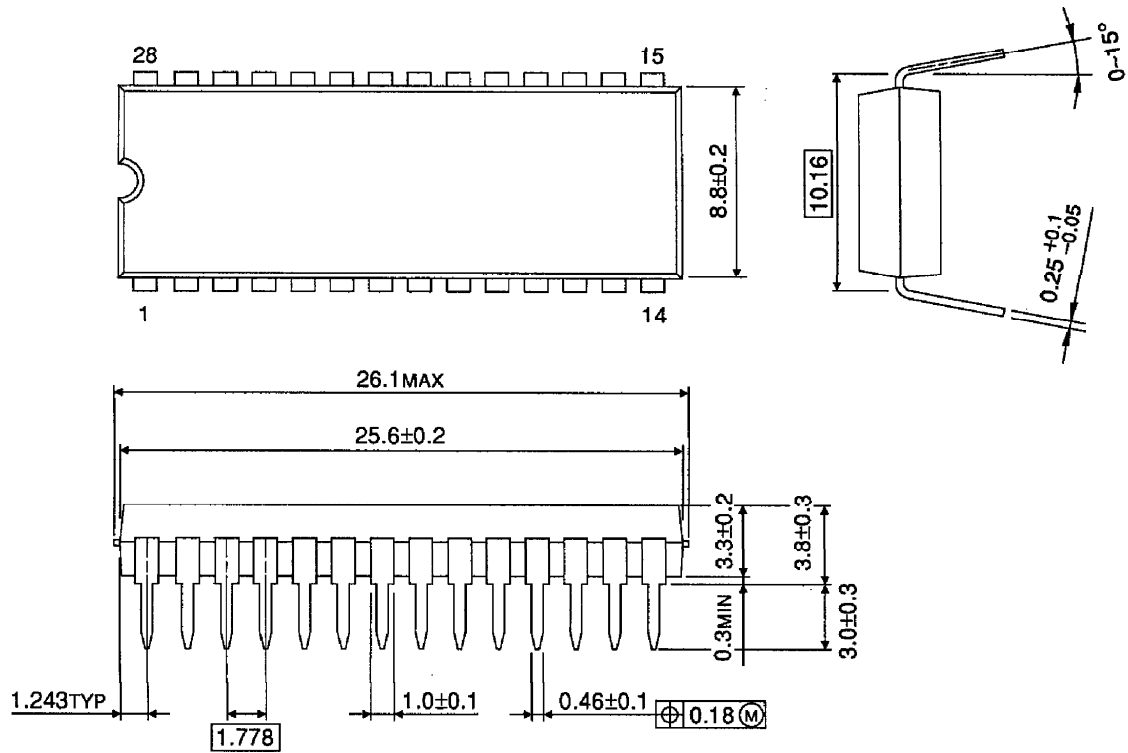
**3. NOISE AT DATA TRANSFERRING**

Some frequency of the CK signal may affect the analog switch and cause noises at data transferring.

CK signals should be at the frequency out of audio band as possible.

**OUTLINE DRAWING**  
SDIP28-P-400-1.78

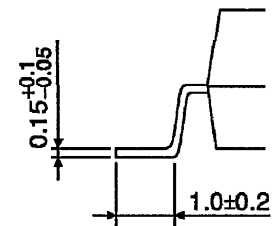
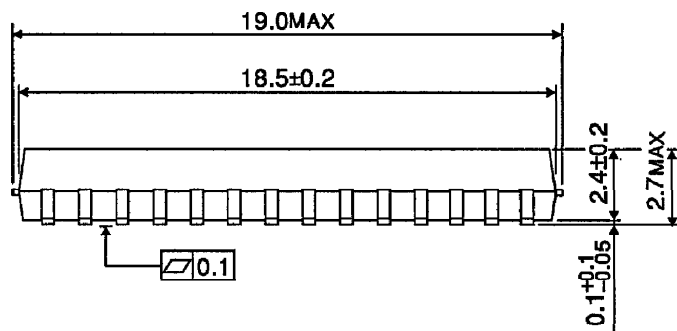
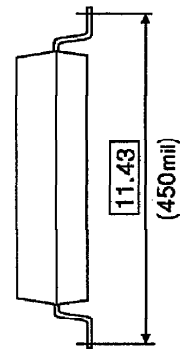
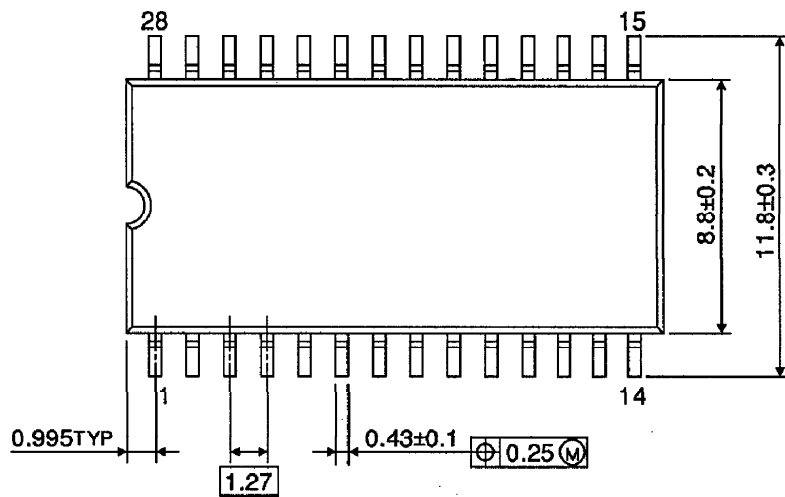
Unit : mm



Weight : 2.2g (Typ.)

**OUTLINE DRAWING**  
SOP28-P-450-1.27

Unit : mm



Weight : 0.8g (Typ.)