

TOSHIBA Bipolar Linear Integrated Circuit Silicon Monolithic

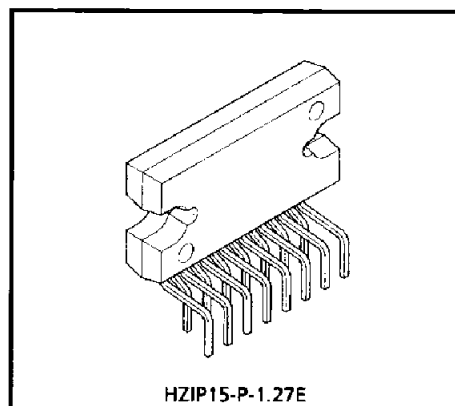
# TA8254BHQ

## 45 W BTL × 2 CH AUDIO POWER AMPLIFIER

The TA8254BHQ is BTL stereo audio power amplifier for car audio application, especially for  $2\ \Omega$  load impedance. It is built-in Stand-by Function, Muting Function, diagnosis circuit output clipping detector and various kind of protections.

### FEATURES

- High power
  - :  $P_{OUT(1)} = 45\ \text{W (Typ.) / Channel}$   
( $V_{CC} = 14.4\ \text{V}$ ,  $f = 1\ \text{kHz}$ ,  $\text{THD} = 10\%$ ,  $R_L = 2\ \Omega$ )
  - $P_{OUT(2)} = 35\ \text{W (Typ.) / Channel}$   
( $V_{CC} = 13.2\ \text{V}$ ,  $f = 1\ \text{kHz}$ ,  $\text{THD} = 10\%$ ,  $R_L = 2\ \Omega$ )
  - $P_{OUT(3)} = 21\ \text{W (Typ.) / Channel}$   
( $V_{CC} = 13.2\ \text{V}$ ,  $f = 1\ \text{kHz}$ ,  $\text{THD} = 10\%$ ,  $R_L = 4\ \Omega$ )
- Low distortion ratio :  $\text{THD} = 0.02\% \text{ (Typ.)}$   
( $V_{CC} = 13.2\ \text{V}$ ,  $f = 1\ \text{kHz}$ ,  $P_{OUT} = 10\ \text{W}$ ,  $R_L = 4\ \Omega$ )
- Low noise :  $V_{NO} = 0.10\ \text{mV}_{\text{rms}} \text{ (Typ.)}$   
( $V_{CC} = 13.2\ \text{V}$ ,  $R_L = 4\ \Omega$ ,  $R_g = 0\ \Omega$ ,  $\text{BW} = 20\ \text{Hz} \sim 20\ \text{kHz}$ )
- Built-in stand-by function
  - : (With pin set at LOW, Power is turned OFF.)  $I_{SB} = 1\ \mu\text{A} \text{ (Typ.)}$
- Built-in output clipping detection and diagnosis circuit
  - : (Open Collector (Active Low))
- Built-in various protection circuits
  - : Thermal Shut Down, Over Voltage, Out  $\rightarrow$   $V_{CC}$  Short, Out  $\rightarrow$  GND Short and OUT-OUT Short.
- Operating supply voltage :  $V_{CC(\text{opr})} = 9 \sim 18\ \text{V}$



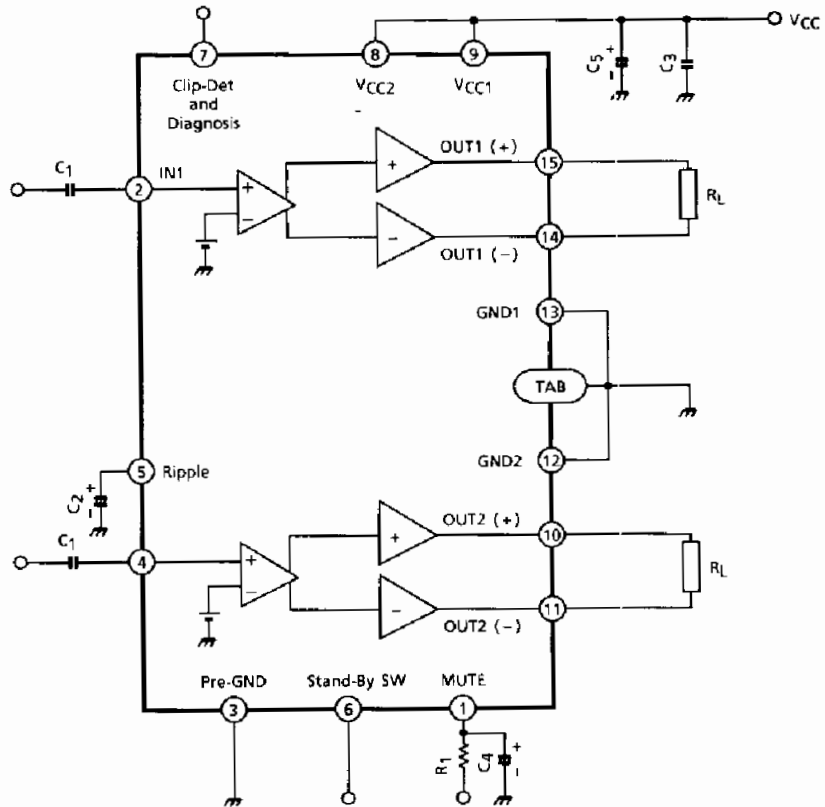
Weight : 4.0 g (Typ.)

Note 1: Install the product correctly. Otherwise, it may result in break down, damage and/or degradation to the product or equipment.

Note 2: These protection functions are intended to avoid some output short circuits or other abnormal conditions temporarily. These protect functions do not warrant to prevent the IC from being damaged.

- In case of the product would be operated with exceeded guaranteed operating ranges, these protection features may not operate and some output short circuits may result in the IC being damaged.

BLOCK DIAGRAM



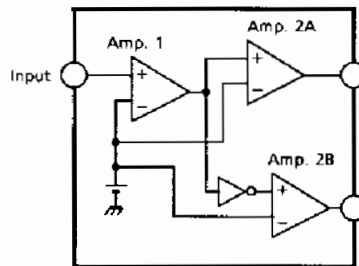
Note3: Some of the functional blocks, circuits, or constants in the block diagram may be omitted or simplified for explanatory purpose.

**CAUTION AND APPLICATION METHOD**

(Description is made only on the single channel.)

1. Voltage gain adjustment

This IC has no NF (negative feedback) terminals. Therefore, the voltage gain can't be adjusted, but it makes the device a space and total costs saver.



(Fig.1) Block diagram

The voltage gain of Amp. 1 :  $G_{V1} = 0\text{dB}$

The voltage gain of Amp. 2A, B :  $G_{V2} = 20\text{dB}$

The voltage gain of BLT Connection :  $G_V(\text{BLT}) = 6\text{dB}$

Therefore, the total voltage gain is decided by expression below.

$$G_V = G_{V1} + G_{V2} + G_V(\text{BLT}) = 0 + 20 + 6 = 26\text{dB}$$

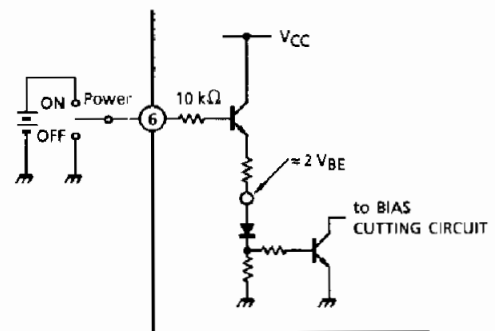
2. Stand-by SW function (pin 6)

By means of controlling pin 6 (Stand-by terminal) to High and Low, the power supply can be set to ON and OFF.

The threshold voltage of pin 6 is set at about  $3V_{BE}$  (Typ.), and the Power Supply current is about  $1\mu\text{A}$  (Typ.) at the stand-by state.

Control Voltage of pin 6 :  $V_{SB}$

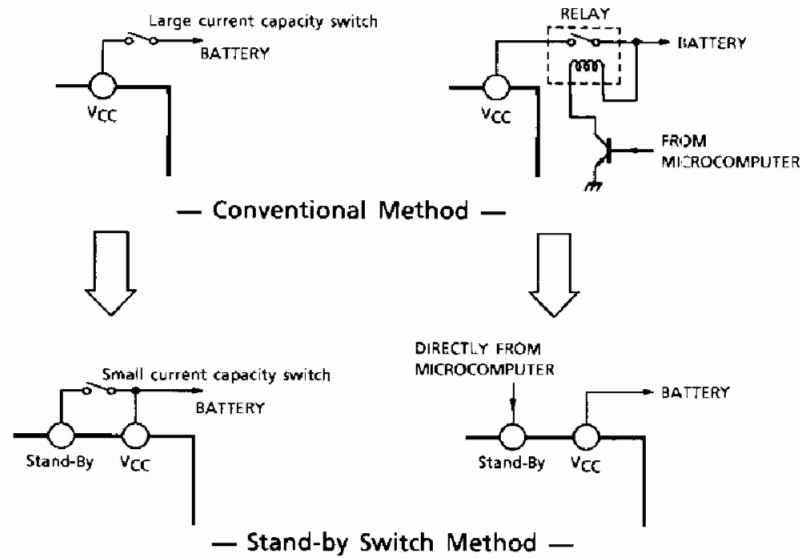
STAND-BY	POWER	$V_{SB}$ (V)
ON	OFF	0~1.5
OFF	ON	3~ $V_{CC}$



(Fig.2) With pin 6 set to High, Power is turned ON

Adjustage of Stand-by SW

- (1) Since  $V_{CC}$  can directly be controlled to ON or OFF by the microcomputer, the switching relay can be omitted.
- (2) Since the control current is microscopic, the switching relay of small current capacity is satisfactory for switching



(Fig.3)

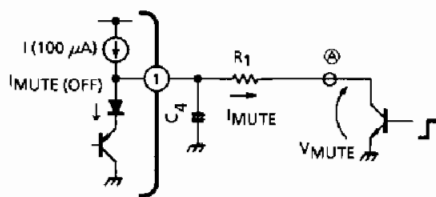
3. Muting function (pin①)

By means of controlling pin① less than 0.5 V, it can make the audio muting condition. The muting time constant is decided by  $R_1$  and  $C_4$  and these parts is related the pop noise at power ON / OFF.

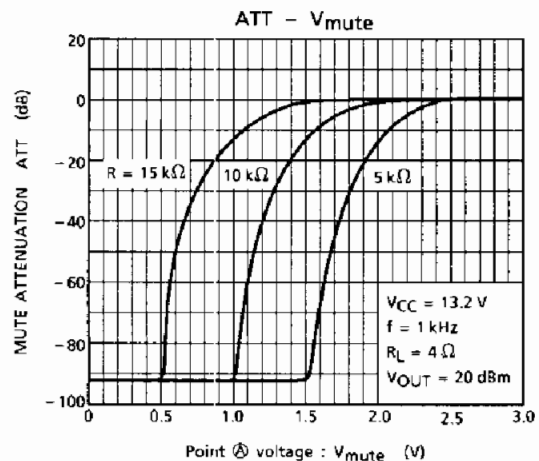
The series resistance;  $R_1$  must be set up less than 15 k $\Omega$ , we recommend 10 k $\Omega$ .

The muting function have to be controlled by a transistor, FET and  $\mu$ -COM port which has  $I_{MUTE} > 250 \mu A$  ability.

pin① must not be pulled up and it shall be controlled by OPEN / LOW.



(Fig.4) Muting Function



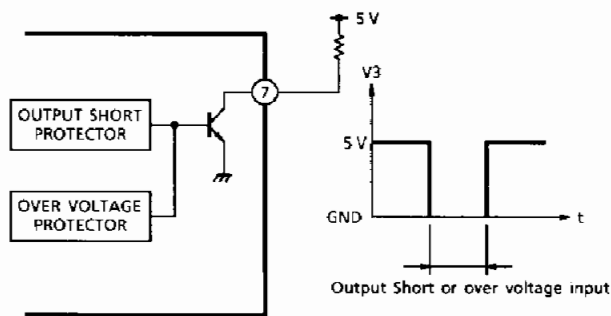
(Fig.5) Mute Attenuation -  $V_{mute}$  (V)

4. Diagnosis output (pin⑦)

The diagnosis output terminal of pin⑦ has open collector output structure on chip as shown in Fig.6.

In unusual case that output terminal of Power Amp. is condition of output to  $V_{CC}$  or output to GND short and over voltage input mode, it is possible to protect all the system of apparatus as well as power IC protection.

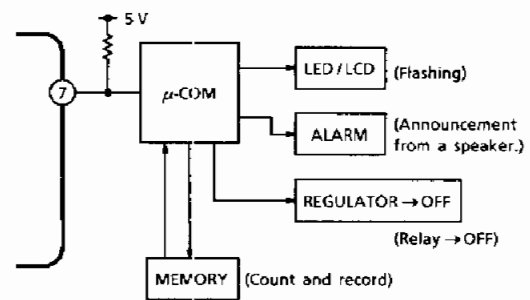
In case of being unused this function, use this IC as open-connection on pin⑦.



pin⑦ : Open Collector Output (Active Low)

(Fig.6)

(Application)



(Fig.7)

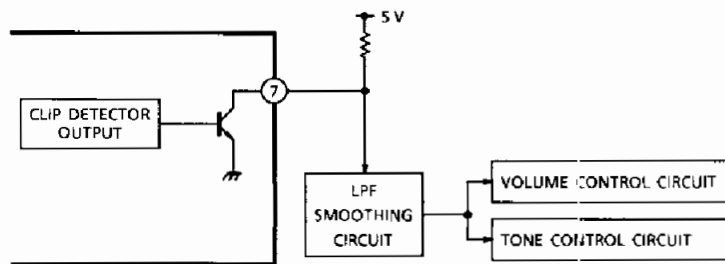
5. Output clip detection function (pin⑦)

The output clip detection terminal of pin⑦ has the open collector output structure on chip as shown in Fig.8. In case that the output waveform is clipping, the clip detection circuit is operated and NPN Tr. is turned on.

It is possible to improve the audio quality with controlling the volume, tone control circuit through L.P.F. smoothing circuit as shown in Fig.8.

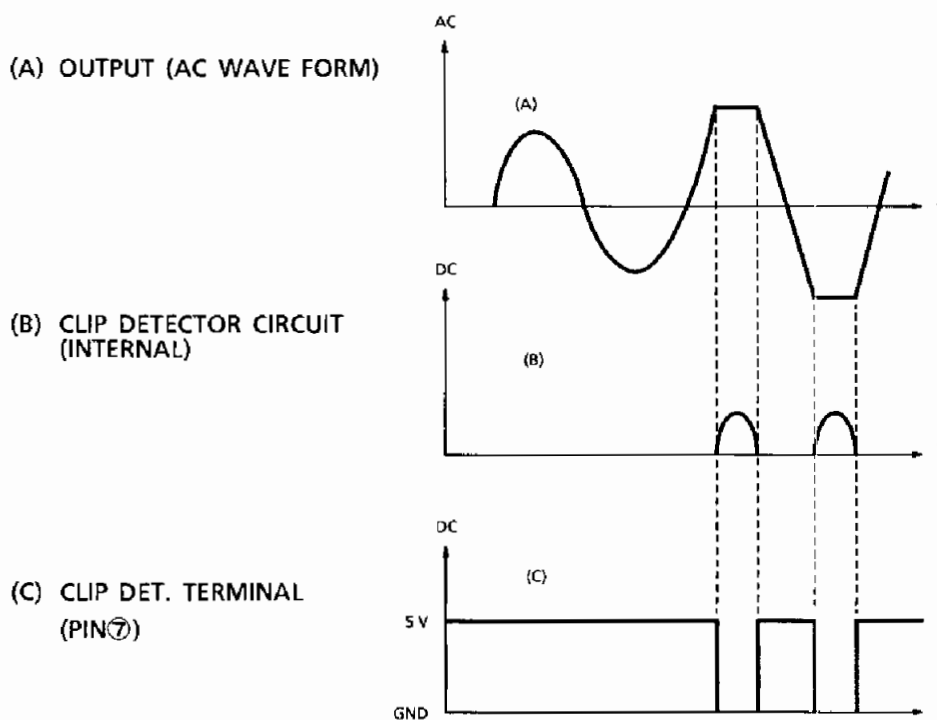
In case of being unused this function, use this IC as open connection on pin⑦.

(Application)



Pin⑦ : Open Collector Output (Active Low)

(Fig.8)



**MAXIMUM RATINGS** (Ta = 25°C)

CHARACTERISTIC	SYMBOL	RATING	UNIT
Peak Supply Voltage (0.2 s)	V <sub>CC</sub> (surge)	50	V
DC Supply Voltage	V <sub>CC</sub> (DC)	25	V
Operating Supply Voltage	V <sub>CC</sub> (opr)	18	V
Output Current (Peak)	I <sub>O</sub> (peak)	9	A
Power Dissipation	P <sub>D</sub> (*)	83	W
Operating Temperature	T <sub>opr</sub>	-40~85	°C
Storage Temperature	T <sub>stg</sub>	-55~150	°C

(\*) : Package terminal resistance  $\theta_{j-T} = 1.5^{\circ}\text{C}/\text{w}$  (Typ.)  
(Ta = 25°C, with infinite heat sink)

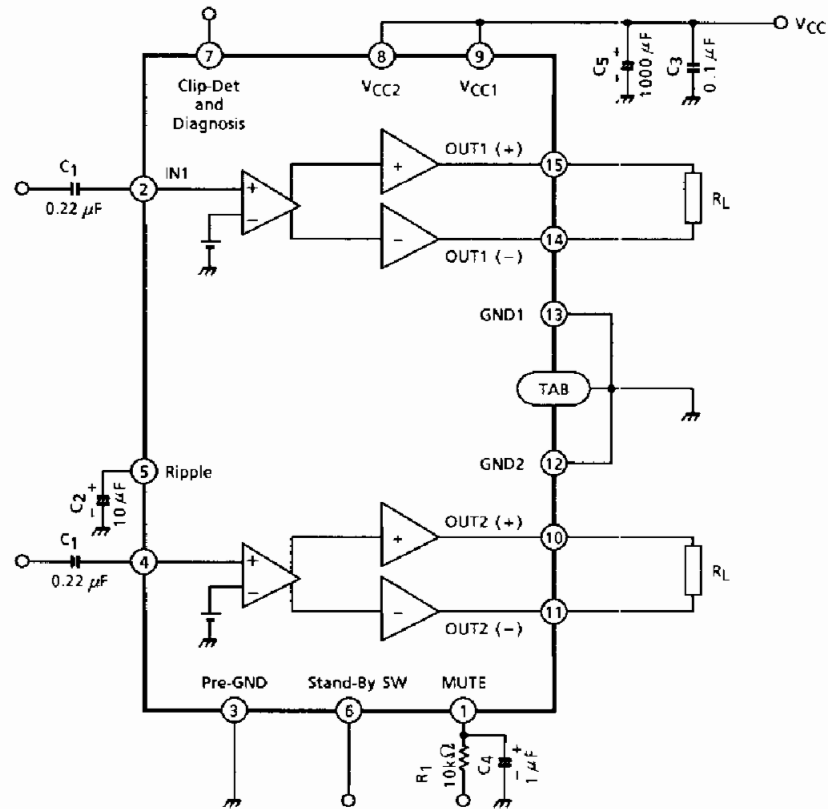
The absolute maximum ratings of a semiconductor device are a set of specified parameter values, which must not be exceeded during operation, even for an instant. If any of these rating would be exceeded during operation, the device electrical characteristics may be irreparably altered and the reliability and lifetime of the device can no longer be guaranteed. Moreover, these operations with exceeded ratings may cause break down, damage and/or degradation to any other equipment. Applications using the device should be designed such that each maximum rating will never be exceeded in any operating conditions. Before using, creating and/or producing designs, refer to and comply with the precautions and conditions set forth in this documents.

**ELECTRICAL CHARACTERISTICS** (Unless otherwise specified, V<sub>CC</sub> = 13.2 V, R<sub>L</sub> = 4 Ω, f = 1 kHz, Ta = 25°C)

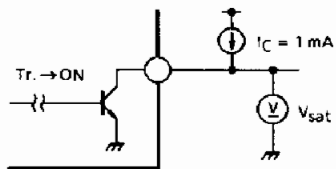
CHARACTERISTIC	SYMBOL	TEST CIRCUIT	TEST CONDITION	MIN.	TYP.	MAX.	UNIT
Quiescent Supply Current	I <sub>CCQ</sub>	—	V <sub>IN</sub> = 0	—	120	250	mA
Output Power	P <sub>OUT</sub> (1)	—	V <sub>CC</sub> = 14.4 V, R <sub>L</sub> = 2 Ω THD = 10%	40	45	—	W
	P <sub>OUT</sub> (2)	—	R <sub>L</sub> = 2 Ω, THD = 10%	—	35	—	
	P <sub>OUT</sub> (3)	—	THD = 10%	19	21	—	
Total Harmonic Distortion Ratio	THD	—	P <sub>OUT</sub> = 10 W	—	0.02	0.2	%
Voltage Gain	G <sub>V</sub>	—	—	24	26	28	dB
Voltage Gain Ratio	ΔG <sub>V</sub>	—	—	-1.0	0	1.0	dB
Output Noise Voltage	V <sub>NO</sub>	—	R <sub>g</sub> = 0 Ω, BW = 20 Hz~20 kHz	—	0.10	0.35	mV <sub>rms</sub>
Ripple Rejection Ratio	R.R.	—	f <sub>ripple</sub> = 100 Hz, R <sub>g</sub> = 600 Ω	40	55	—	dB
Input Resistance	R <sub>IN</sub>	—	—	—	90	—	kΩ
Output Offset Voltage	V <sub>offset</sub>	—	V <sub>IN</sub> = 0	-150	0	150	mV
Current at Stand-by State	I <sub>SB</sub>	—	—	—	1	10	μA
Cross Talk	C.T.	—	R <sub>g</sub> = 600 Ω V <sub>OUT</sub> = 0.775 V <sub>rms</sub> (0 dBm)	—	75	—	dB
Stand-by Control Voltage	V <sub>SB</sub>	—	Stand-By → OFF (Power → ON)	3.0	—	V <sub>CC</sub>	V
DIAGNOSIS OUT Saturation Voltage	V <sub>sat</sub>	—	I <sub>C</sub> = 1 mA	—	100	—	mV
Mute Control Voltage (*)	V <sub>M</sub> H	—	Mute : off	OPEN			V
	V <sub>M</sub> L	—	Mute : on	0	—	1.5	
Mute Attenuation	ATT M	—	Mute : on, V <sub>OUT</sub> = 7.75 V <sub>rms</sub> (20 dBm) at Mute : off	—	85	—	dB

(\*) : Muting function must be controlled by open and Low Logic.  
This means that the Mute control terminal : pin① must not be pulled up.

TEST CIRCUIT

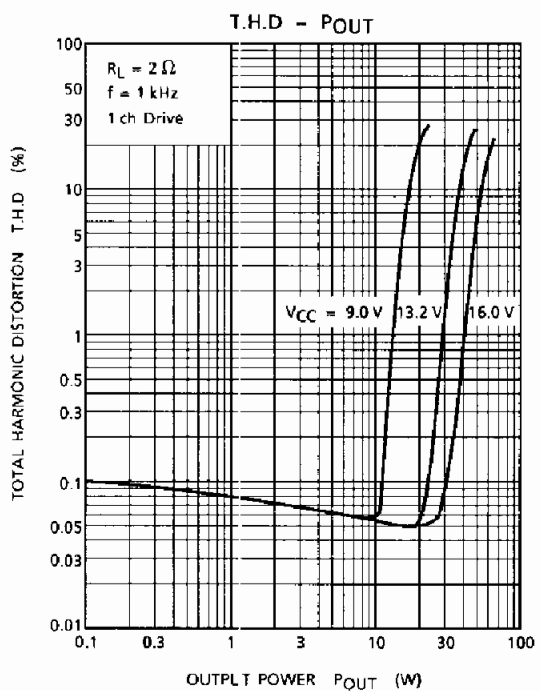
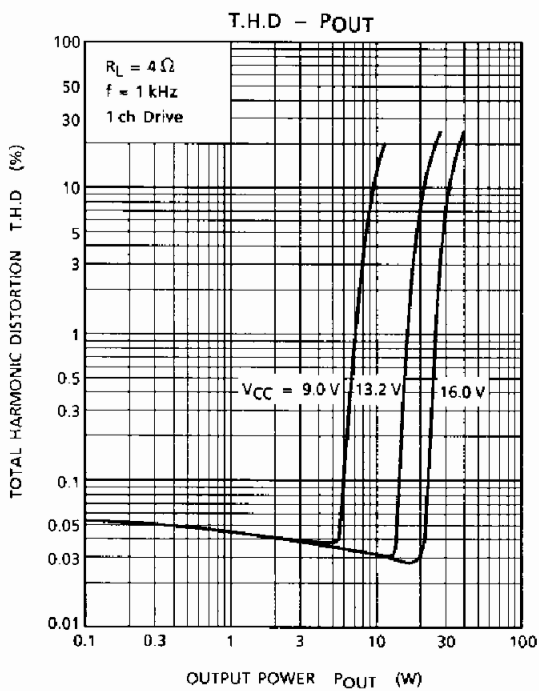
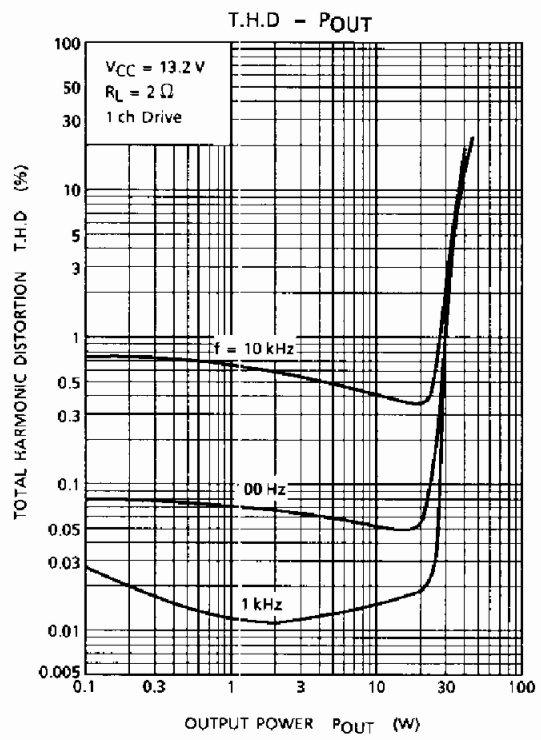
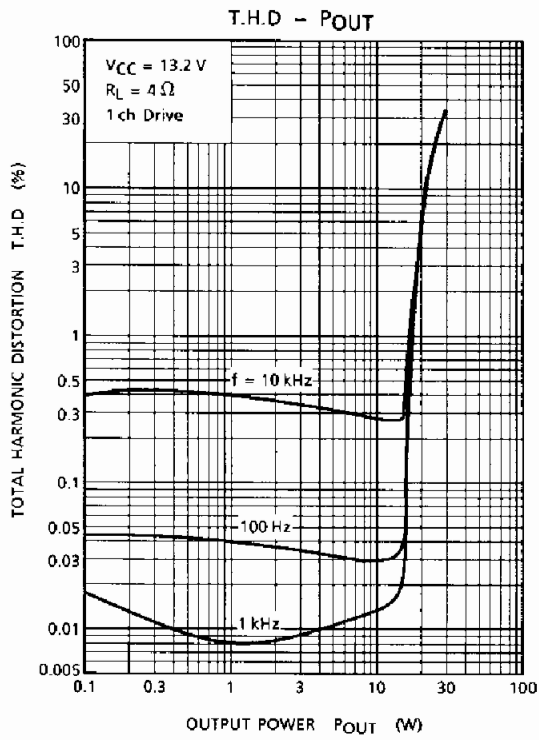


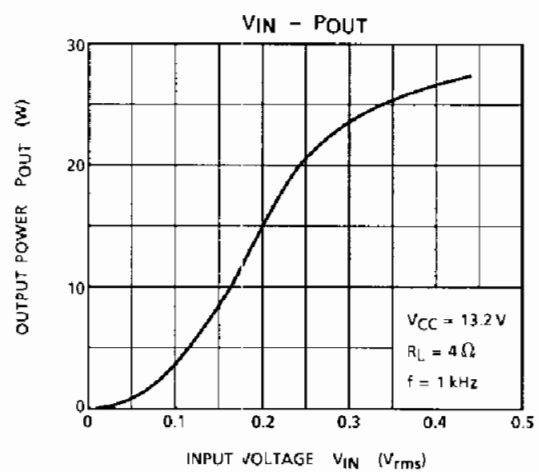
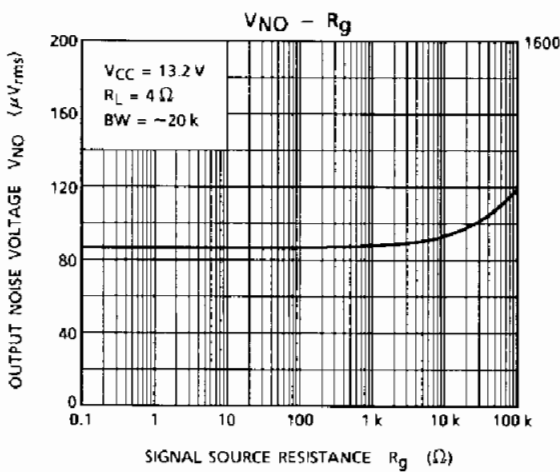
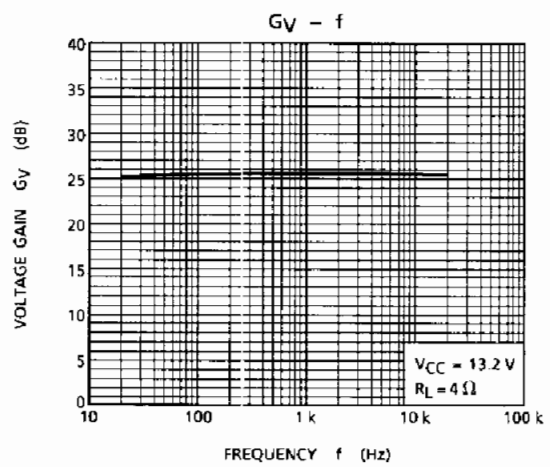
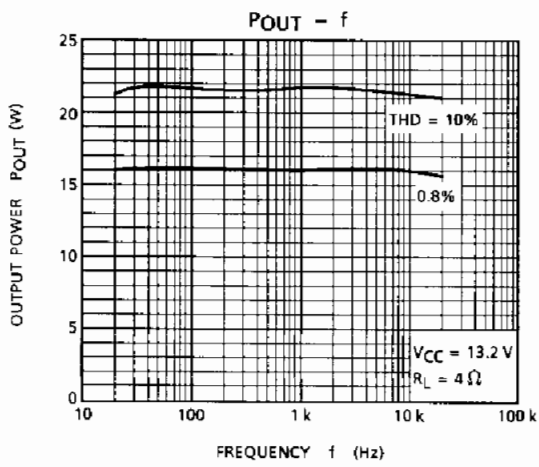
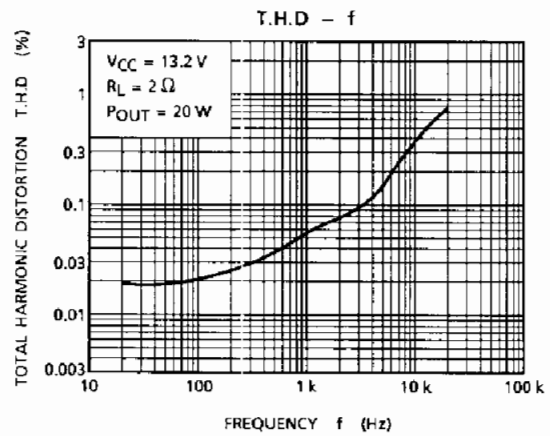
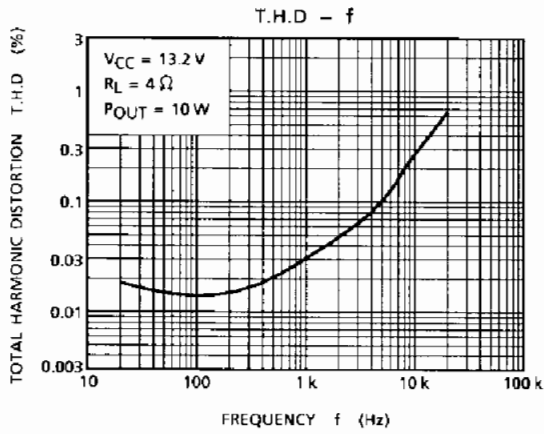
Diagnosis Out Test Circuit

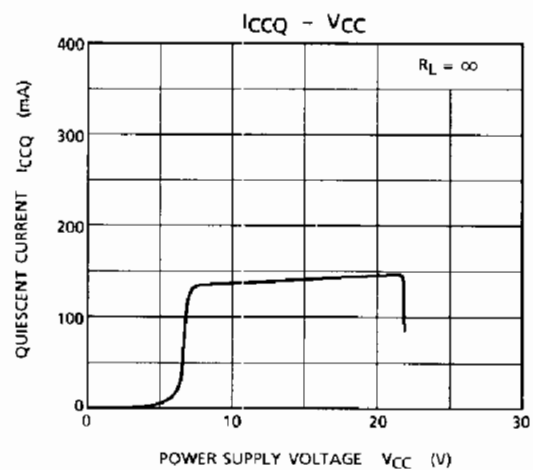
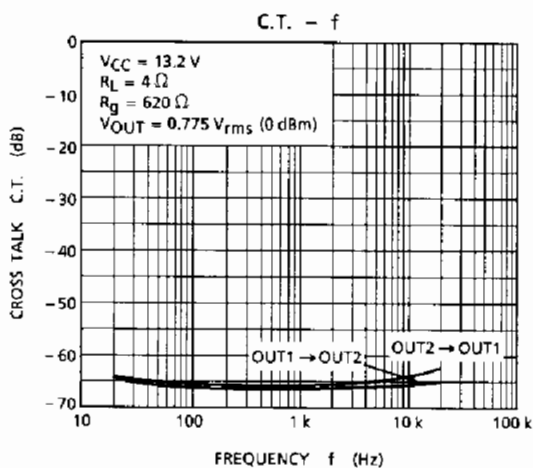
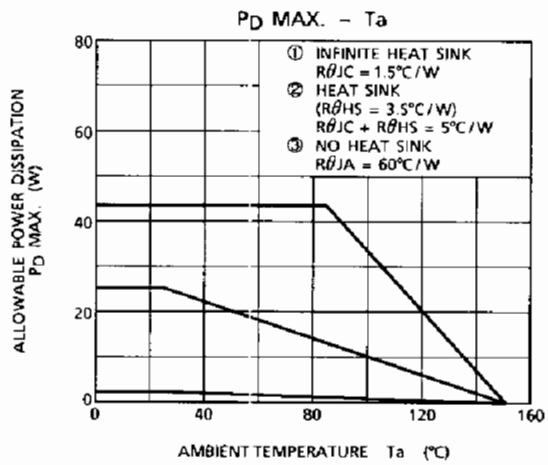
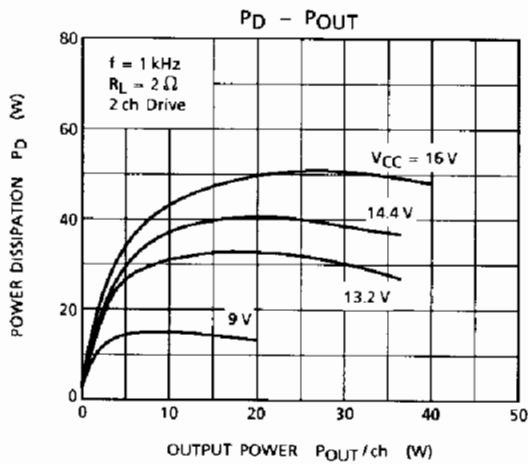
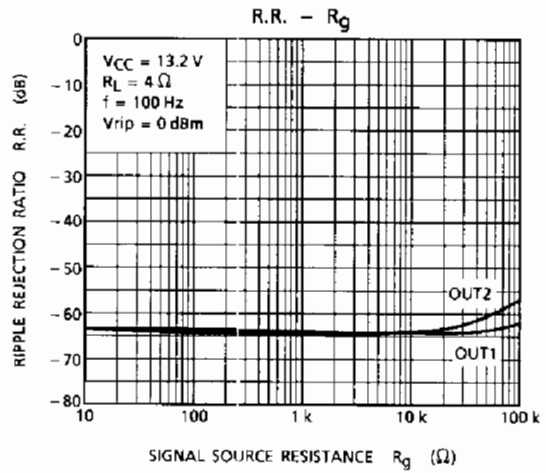
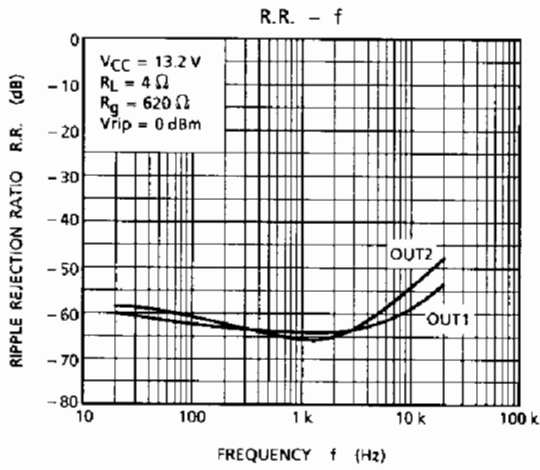


Components in the test circuits are only used to obtain and confirm the device characteristics. These components and circuits do not warrant to prevent the application equipment from malfunction or failure.



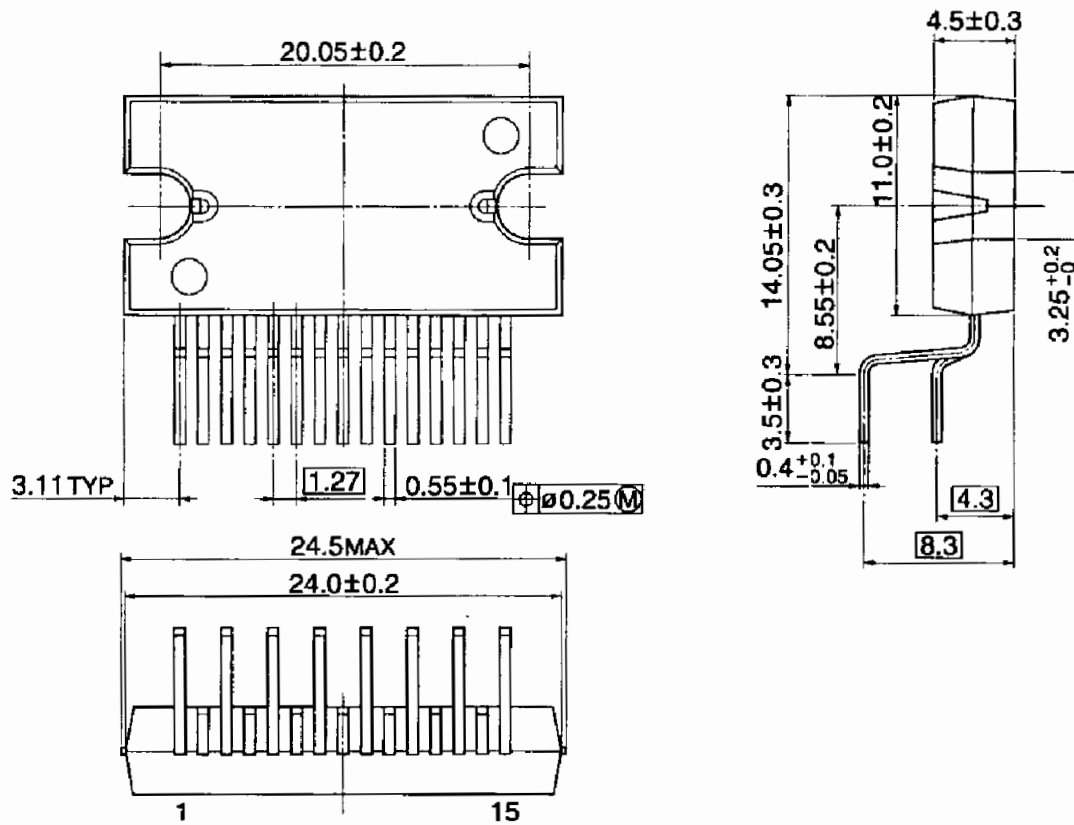






**PACKAGE DIMENSIONS**  
HZIP15-P-1.27E

Unit : mm



Weight : 4.0 g (Typ.)

About solderability, following conditions were confirmed

- Solderability

(1) Use of Sn-63Pb solder Bath

- solder bath temperature = 230°C
- dipping time = 5 seconds
- the number of times = once
- use of R-type flux

(2) Use of Sn-3.0Ag-0.5Cu solder Bath

- solder bath temperature = 245°C
- dipping time = 5 seconds
- the number of times = once
- use of R-type flux

## RESTRICTIONS ON PRODUCT USE

030619EBF

- The information contained herein is subject to change without notice.
- The information contained herein is presented only as a guide for the applications of our products. No responsibility is assumed by TOSHIBA for any infringements of patents or other rights of the third parties which may result from its use. No license is granted by implication or otherwise under any patent or patent rights of TOSHIBA or others.
- TOSHIBA is continually working to improve the quality and reliability of its products. Nevertheless, semiconductor devices in general can malfunction or fail due to their inherent electrical sensitivity and vulnerability to physical stress. It is the responsibility of the buyer, when utilizing TOSHIBA products, to comply with the standards of safety in making a safe design for the entire system, and to avoid situations in which a malfunction or failure of such TOSHIBA products could cause loss of human life, bodily injury or damage to property.  
In developing your designs, please ensure that TOSHIBA products are used within specified operating ranges as set forth in the most recent TOSHIBA products specifications. Also, please keep in mind the precautions and conditions set forth in the "Handling Guide for Semiconductor Devices," or "TOSHIBA Semiconductor Reliability Handbook" etc..
- The TOSHIBA products listed in this document are intended for usage in general electronics applications (computer, personal equipment, office equipment, measuring equipment, industrial robotics, domestic appliances, etc.). These TOSHIBA products are neither intended nor warranted for usage in equipment that requires extraordinarily high quality and/or reliability or a malfunction or failure of which may cause loss of human life or bodily injury ("Unintended Usage"). Unintended Usage include atomic energy control instruments, airplane or spaceship instruments, transportation instruments, traffic signal instruments, combustion control instruments, medical instruments, all types of safety devices, etc.. Unintended Usage of TOSHIBA products listed in this document shall be made at the customer's own risk.
- The products described in this document are subject to the foreign exchange and foreign trade laws.
- TOSHIBA products should not be embedded to the downstream products which are prohibited to be produced and sold, under any law and regulations.
- This product generates heat during normal operation. However, substandard performance or malfunction may cause the product and its peripherals to reach abnormally high temperatures.  
The product is often the final stage (the external output stage) of a circuit. Substandard performance or malfunction of the destination device to which the circuit supplies output may cause damage to the circuit or to the product.