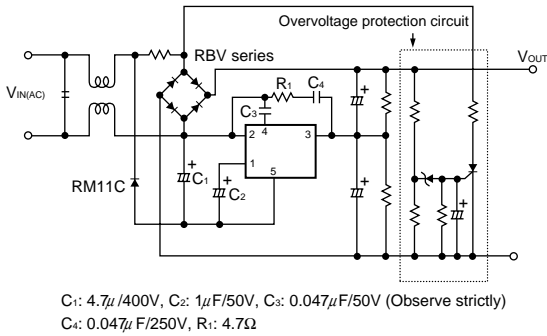


Setting Switchover Voltage		RMS On-state Current I <sub>T</sub> (RMS) (A)		Remarks	Fig. No.
V <sub>c</sub> (DC) (V)	V <sub>c</sub> (AC) (V)	5	10		
205±5	145	STR82145	STR83145	With latching capability	1
225±5	159		STR83159	With latching capability	

Example of application circuit



External Dimensions

• No. 1

