

SN74ALVC164245

16-BIT 3.3-V TO 5-V LEVEL SHIFTING TRANSCEIVER WITH 3-STATE OUTPUTS

SCAS416F – MARCH 1994 – REVISED FEBRUARY 1999

- Member of the Texas Instruments *Widebus™* Family
- EPIC™ (Enhanced-Performance Implanted CMOS) Submicron Process
- Latch-Up Performance Exceeds 250 mA Per JESD 17
- Package Options Include Plastic 300-mil Shrink Small-Outline (DL) and Thin Shrink Small-Outline (DGG) Packages

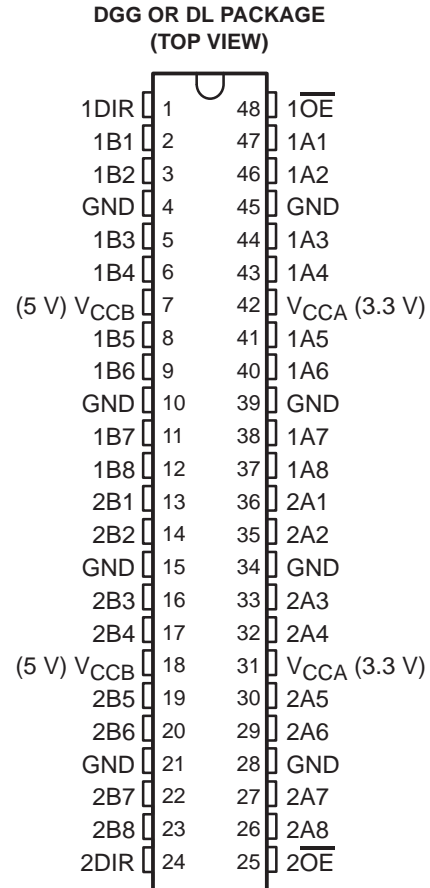
description

This 16-bit (dual-octal) noninverting bus transceiver contains two separate supply rails; B port has V_{CCB} , which is set at 5 V, and A port has V_{CCA} , which is set to operate at 3.3 V. This allows for translation from a 3.3-V to a 5-V environment and vice versa.

The SN74ALVC164245 is designed for asynchronous communication between data buses.

To ensure the high-impedance state during power up or power down, the output-enable (\overline{OE}) input should be tied to V_{CC} through a pullup resistor; the minimum value of the resistor is determined by the current-sinking capability of the driver.

The SN74ALVC164245 is characterized for operation from -40°C to 85°C .



**FUNCTION TABLE
(each 8-bit section)**

INPUTS		OPERATION
\overline{OE}	DIR	
L	L	B data to A bus
L	H	A data to B bus
H	X	Isolation



Please be aware that an important notice concerning availability, standard warranty, and use in critical applications of Texas Instruments semiconductor products and disclaimers thereto appears at the end of this data sheet.

EPIC and Widebus are trademarks of Texas Instruments Incorporated.

PRODUCTION DATA information is current as of publication date. Products conform to specifications per the terms of Texas Instruments standard warranty. Production processing does not necessarily include testing of all parameters.



POST OFFICE BOX 655303 • DALLAS, TEXAS 75265

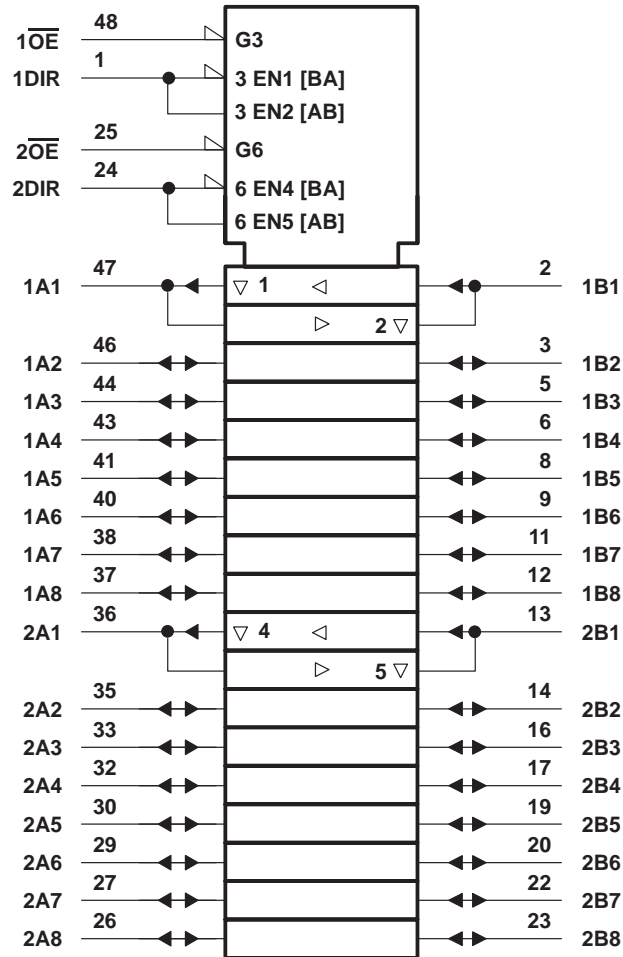
Copyright © 1999, Texas Instruments Incorporated

SN74ALVC164245

16-BIT 3.3-V TO 5-V LEVEL SHIFTING TRANSCEIVER WITH 3-STATE OUTPUTS

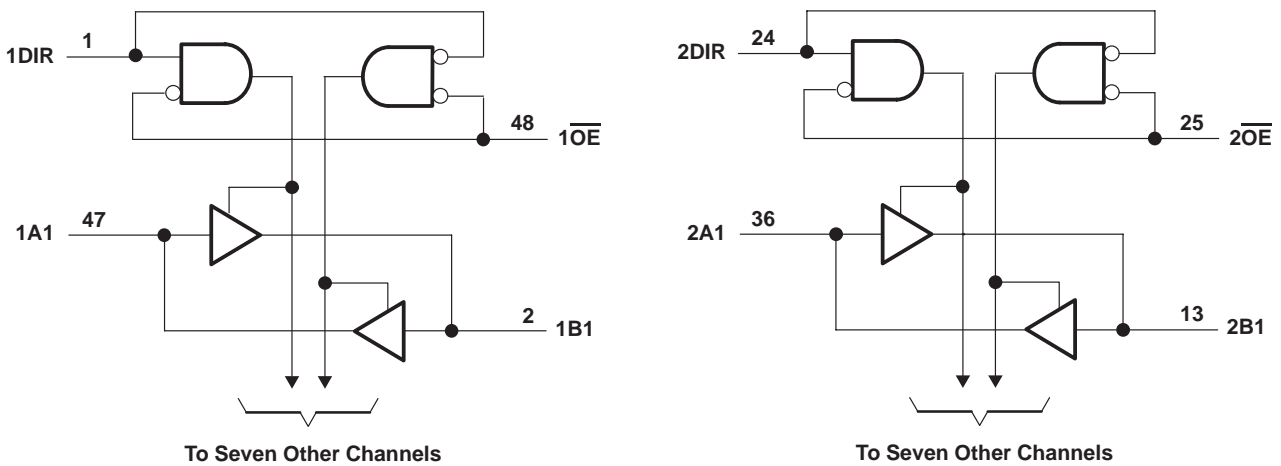
SCAS416F – MARCH 1994 – REVISED FEBRUARY 1999

logic symbol†



† This symbol is in accordance with ANSI/IEEE Std 91-1984 and IEC Publication 617-12.

logic diagram (positive logic)



SN74ALVC164245
16-BIT 3.3-V TO 5-V LEVEL SHIFTING TRANSCEIVER
WITH 3-STATE OUTPUTS

SCAS416F – MARCH 1994 – REVISED FEBRUARY 1999

absolute maximum ratings over operating free-air temperature range for V_{CCB} at 5 V and V_{CCA} at 3.3 V (unless otherwise noted)[†]

Supply voltage range: V_{CCA}	–0.5 V to 4.6 V
V_{CCB}	–0.5 V to 6 V
Input voltage range, V_I : Except I/O ports (see Note 1)	–0.5 V to 6 V
I/O port A (see Note 2)	–0.5 V to $V_{CCA} + 0.5$ V
I/O port B (see Note 1)	–0.5 V to $V_{CCB} + 0.5$ V
Input clamp current, I_{IK} ($V_I < 0$)	–50 mA
Output clamp current, I_{OK} ($V_O < 0$)	–50 mA
Continuous output current, I_O	±50 mA
Continuous current through each V_{CC} or GND	±100 mA
Package thermal impedance, θ_{JA} (see Note 3): DGG package	89°C/W
DL package	94°C/W
Storage temperature range, T_{stg}	–65°C to 150°C

[†] Stresses beyond those listed under “absolute maximum ratings” may cause permanent damage to the device. These are stress ratings only, and functional operation of the device at these or any other conditions beyond those indicated under “recommended operating conditions” is not implied. Exposure to absolute-maximum-rated conditions for extended periods may affect device reliability.

- NOTES: 1. This value is limited to 6 V maximum.
 2. This value is limited to 4.6 V maximum.
 3. The package thermal impedance is calculated in accordance with JESD 51.

recommended operating conditions for V_{CCB} at 5 V (see Note 4)

	MIN	MAX	UNIT
V_{CCB} Supply voltage	4.5	5.5	V
V_{IH} High-level input voltage	2		V
V_{IL} Low-level input voltage		0.8	V
V_{IA} Input voltage	0	V_{CCB}	V
V_{OB} Output voltage	0	V_{CCB}	V
I_{OH} High-level output current		–24	mA
I_{OL} Low-level output current		24	mA
$\Delta t/\Delta v$ Input transition rise or fall rate		10	ns/V
T_A Operating free-air temperature	–40	85	°C

NOTE 4: All unused inputs of the device must be held at the associated V_{CC} or GND to ensure proper device operation. Refer to the TI application report, *Implications of Slow or Floating CMOS Inputs*, literature number SCBA004.

SN74ALVC164245

16-BIT 3.3-V TO 5-V LEVEL SHIFTING TRANSCEIVER WITH 3-STATE OUTPUTS

SCAS416F – MARCH 1994 – REVISED FEBRUARY 1999

recommended operating conditions for V_{CCA} at 3.3 V (see Note 4)

			MIN	MAX	UNIT
V_{CCA}	Supply voltage		2.7	3.6	V
V_{IH}	High-level input voltage	$V_{CCA} = 2.7\text{ V to }3.6\text{ V}$	2		V
V_{IL}	Low-level input voltage	$V_{CCA} = 2.7\text{ V to }3.6\text{ V}$		0.8	V
V_{IB}	Input voltage		0	V_{CCA}	V
V_{OA}	Output voltage		0	V_{CCA}	V
I_{OH}	High-level output current	$V_{CCA} = 2.7\text{ V}$		-12	mA
		$V_{CCA} = 3\text{ V}$		-24	
I_{OL}	Low-level output current	$V_{CCA} = 2.7\text{ V}$		12	mA
		$V_{CCA} = 3\text{ V}$		24	
$\Delta t/\Delta v$	Input transition rise or fall rate			10	ns/V
T_A	Operating free-air temperature		-40	85	$^{\circ}\text{C}$

NOTE 4: All unused inputs of the device must be held at the associated V_{CC} or GND to ensure proper device operation. Refer to the TI application report, *Implications of Slow or Floating CMOS Inputs*, literature number SCBA004.

electrical characteristics over recommended operating free-air temperature range for $V_{CCB} = 5\text{ V}$ (unless otherwise noted) (see Note 5)

PARAMETER		TEST CONDITIONS	V_{CCB}	MIN	TYP†	MAX	UNIT
V_{OH} (A to B)		$I_{OH} = -100\ \mu\text{A}$	4.5 V	4.3			V
			5.5 V	5.3			
		$I_{OH} = -24\ \text{mA}$	4.5 V	3.7			
			5.5 V	4.7			
V_{OL} (A to B)		$I_{OL} = 100\ \mu\text{A}$	4.5 V			0.2	V
			5.5 V			0.2	
		$I_{OL} = 24\ \text{mA}$	4.5 V			0.55	
			5.5 V			0.55	
I_I	Control inputs	$V_I = V_{CCB}$ or GND	5.5 V			± 5	μA
I_{OZ}^{\ddagger}	A or B ports	$V_O = V_{CCB}$ or GND	5.5 V			± 10	μA
I_{CC}		$V_I = V_{CCB}$ or GND, $I_O = 0$	5.5 V			40	μA
ΔI_{CC}^{\S}		One input at 3.4 V, Other inputs at V_{CCB} or GND	4.5 V to 5.5 V			750	μA
C_i	Control inputs	$V_I = V_{CCB}$ or GND	5 V			6.5	pF
C_{iO}	A or B ports	$V_O = V_{CCB}$ or GND	5 V			6.5	pF

† Typical values are measured at $V_{CC} = 3.3\text{ V}$, $T_A = 25^{\circ}\text{C}$.

‡ For I/O ports, the parameter I_{OZ} includes the input leakage current.

§ This is the increase in supply current for each input that is at one of the specified TTL voltage levels rather than at 0 or the associated V_{CC} .

NOTE 5: $V_{CCA} = 2.7\text{ V to }3.6\text{ V}$



SN74ALVC164245

16-BIT 3.3-V TO 5-V LEVEL SHIFTING TRANSCEIVER WITH 3-STATE OUTPUTS

SCAS416F – MARCH 1994 – REVISED FEBRUARY 1999

electrical characteristics over recommended operating free-air temperature range for $V_{CCA} = 3.3\text{ V}$ (unless otherwise noted) (see Note 6)

PARAMETER		TEST CONDITIONS	V_{CCA}	MIN	TYP†	MAX	UNIT
V_{OH} (B to A)		$I_{OH} = -100\ \mu\text{A}$	2.7 V to 3.6 V	$V_{CC}-0.2$			V
		$I_{OH} = -12\ \text{mA}$	2.7 V	2.2			
		$I_{OH} = -24\ \text{mA}$	3 V	2.4			
V_{OL} (B to A)		$I_{OL} = 100\ \mu\text{A}$	2.7 V to 3.6 V			0.2	V
		$I_{OL} = 12\ \text{mA}$	2.7 V			0.4	
		$I_{OL} = 24\ \text{mA}$	3 V			0.55	
I_I	Control inputs	$V_I = V_{CCA}$ or GND	3.6 V			± 5	μA
I_{OZ}^\ddagger		$V_O = V_{CCA}$ or GND	3.6 V			± 10	μA
I_{CC}		$V_I = V_{CCA}$ or GND, $I_O = 0$	3.6 V			40	μA
ΔI_{CC}^\S		One input at $V_{CCA} - 0.6\text{ V}$, Other inputs at V_{CCA} or GND	3 V to 3.6 V			750	μA
C_i	Control inputs	$V_I = V_{CCA}$ or GND	3.3 V			6.5	pF
C_{iO}	A or B ports	$V_O = V_{CCA}$ or GND	3.3 V			8.5	pF

† Typical values are measured at $V_{CC} = 3.3\text{ V}$, $T_A = 25^\circ\text{C}$.

‡ For I/O ports, the parameter I_{OZ} includes the input leakage current.

§ This is the increase in supply current for each input that is at one of the specified TTL voltage levels rather than at 0 or the associated V_{CC} .

NOTE 6: $V_{CCB} = 5\text{ V} \pm 0.5\text{ V}$

switching characteristics over recommended operating free-air temperature range, $C_L = 50\text{ pF}$ (unless otherwise noted) (see Figures 1 and 2)

PARAMETER	FROM (INPUT)	TO (OUTPUT)	$V_{CCB} = 5\text{ V} \pm 0.5\text{ V}$				UNIT
			$V_{CCA} = 2.7\text{ V}$		$V_{CCA} = 3.3\text{ V} \pm 0.3\text{ V}$		
			MIN	MAX††	MIN††	MAX††	
t_{pd}	A	B	5.9	1	5.8	ns	
	B	A	6.7	1.2	5.8		
t_{en}	\overline{OE}	B	9.3	1	8.9	ns	
t_{dis}	\overline{OE}	B	9.2	2.1	9.5	ns	
t_{en}	\overline{OE}	A	10.2	2	9.1	ns	
t_{dis}	\overline{OE}	A	9	2.9	8.6	ns	

†† This limit can vary among suppliers.

operating characteristics, $T_A = 25^\circ\text{C}$

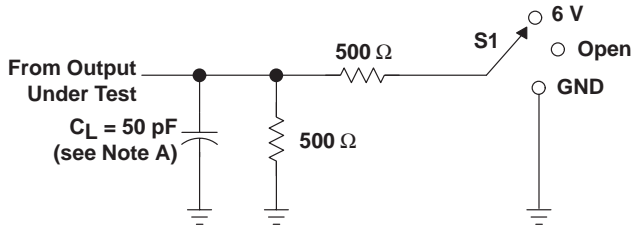
PARAMETER		TEST CONDITIONS	$V_{CCA} = 3.3\text{ V}$ $V_{CCB} = 5\text{ V}$	UNIT
			TYP	
C_{pd}	Power dissipation capacitance	Outputs enabled (A or B)	56	pF
		Outputs disabled (A or B)	6	

SN74ALVC164245
16-BIT 3.3-V TO 5-V LEVEL SHIFTING TRANSCEIVER
WITH 3-STATE OUTPUTS

SCAS416F – MARCH 1994 – REVISED FEBRUARY 1999

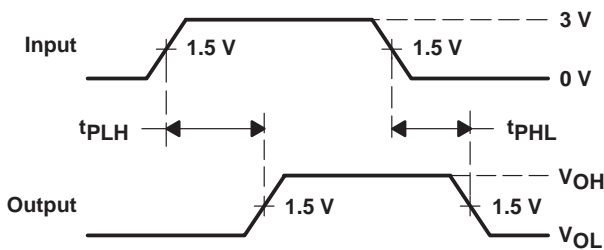
PARAMETER MEASUREMENT INFORMATION

V_{CCA} = 2.7 V AND 3.3 V ± 0.3 V

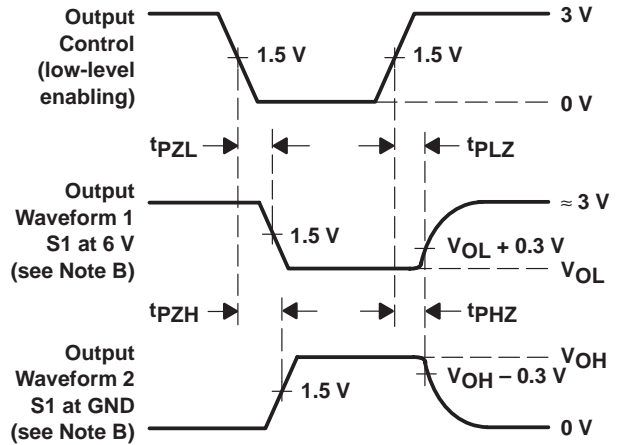


LOAD CIRCUIT

TEST	S1
t _{pd}	Open
t _{PLZ} /t _{PZL}	6 V
t _{PHZ} /t _{PZH}	GND



VOLTAGE WAVEFORMS
PROPAGATION DELAY TIMES



VOLTAGE WAVEFORMS
ENABLE AND DISABLE TIMES

- NOTES:
- A. C_L includes probe and jig capacitance.
 - B. Waveform 1 is for an output with internal conditions such that the output is low except when disabled by the output control. Waveform 2 is for an output with internal conditions such that the output is high except when disabled by the output control.
 - C. All input pulses are supplied by generators having the following characteristics: PRR ≤ 10 MHz, Z_O = 50 Ω, t_r ≤ 2.5 ns, t_f ≤ 2.5 ns.
 - D. The outputs are measured one at a time with one transition per measurement.
 - E. t_{PLZ} and t_{PHZ} are the same as t_{dis}.
 - F. t_{PZL} and t_{PZH} are the same as t_{en}.
 - G. t_{PLH} and t_{PHL} are the same as t_{pd}.

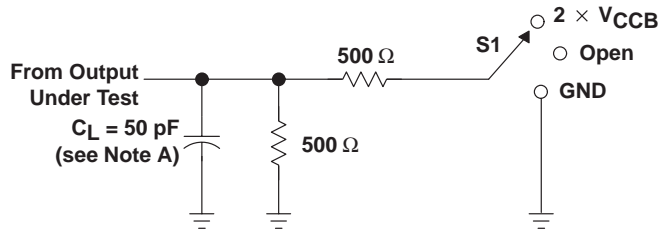
Figure 1. Load Circuit and Voltage Waveforms

SN74ALVC164245
16-BIT 3.3-V TO 5-V LEVEL SHIFTING TRANSCEIVER
WITH 3-STATE OUTPUTS

SCAS416F – MARCH 1994 – REVISED FEBRUARY 1999

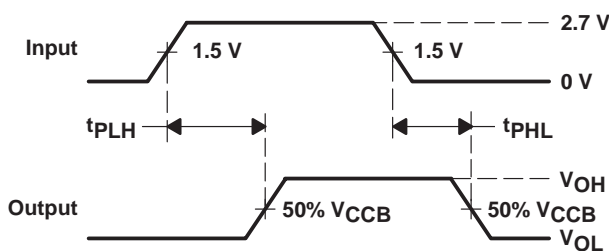
PARAMETER MEASUREMENT INFORMATION

$V_{CCB} = 5\text{ V} \pm 0.5\text{ V}$

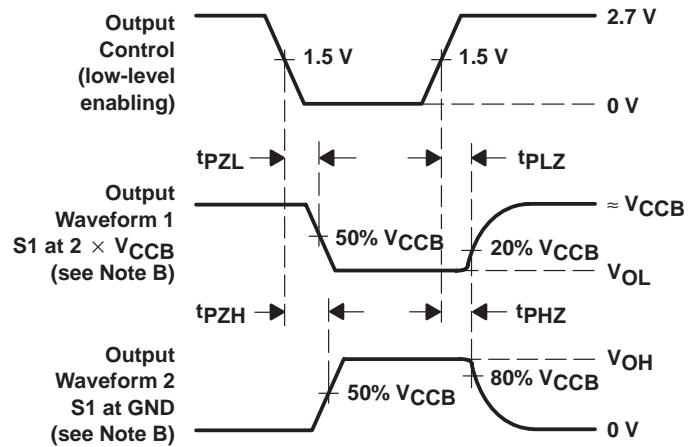


LOAD CIRCUIT

TEST	S1
t_{pd}	Open
t_{PLZ}/t_{PZL}	2 $\times V_{CCB}$
t_{PHZ}/t_{PZH}	GND



**VOLTAGE WAVEFORMS
PROPAGATION DELAY TIMES**



**VOLTAGE WAVEFORMS
ENABLE AND DISABLE TIMES**

- NOTES: A. C_L includes probe and jig capacitance.
 B. Waveform 1 is for an output with internal conditions such that the output is low except when disabled by the output control. Waveform 2 is for an output with internal conditions such that the output is high except when disabled by the output control.
 C. All input pulses are supplied by generators having the following characteristics: $PRR \leq 10\text{ MHz}$, $Z_O = 50\ \Omega$, $t_r \leq 2.5\text{ ns}$, $t_f \leq 2.5\text{ ns}$.
 D. The outputs are measured one at a time with one transition per measurement.
 E. t_{PLZ} and t_{PHZ} are the same as t_{dis} .
 F. t_{PZL} and t_{PZH} are the same as t_{en} .
 G. t_{PLH} and t_{PHL} are the same as t_{pd} .

Figure 2. Load Circuit and Voltage Waveforms

IMPORTANT NOTICE

Texas Instruments and its subsidiaries (TI) reserve the right to make changes to their products or to discontinue any product or service without notice, and advise customers to obtain the latest version of relevant information to verify, before placing orders, that information being relied on is current and complete. All products are sold subject to the terms and conditions of sale supplied at the time of order acknowledgement, including those pertaining to warranty, patent infringement, and limitation of liability.

TI warrants performance of its semiconductor products to the specifications applicable at the time of sale in accordance with TI's standard warranty. Testing and other quality control techniques are utilized to the extent TI deems necessary to support this warranty. Specific testing of all parameters of each device is not necessarily performed, except those mandated by government requirements.

CERTAIN APPLICATIONS USING SEMICONDUCTOR PRODUCTS MAY INVOLVE POTENTIAL RISKS OF DEATH, PERSONAL INJURY, OR SEVERE PROPERTY OR ENVIRONMENTAL DAMAGE ("CRITICAL APPLICATIONS"). TI SEMICONDUCTOR PRODUCTS ARE NOT DESIGNED, AUTHORIZED, OR WARRANTED TO BE SUITABLE FOR USE IN LIFE-SUPPORT DEVICES OR SYSTEMS OR OTHER CRITICAL APPLICATIONS. INCLUSION OF TI PRODUCTS IN SUCH APPLICATIONS IS UNDERSTOOD TO BE FULLY AT THE CUSTOMER'S RISK.

In order to minimize risks associated with the customer's applications, adequate design and operating safeguards must be provided by the customer to minimize inherent or procedural hazards.

TI assumes no liability for applications assistance or customer product design. TI does not warrant or represent that any license, either express or implied, is granted under any patent right, copyright, mask work right, or other intellectual property right of TI covering or relating to any combination, machine, or process in which such semiconductor products or services might be or are used. TI's publication of information regarding any third party's products or services does not constitute TI's approval, warranty or endorsement thereof.