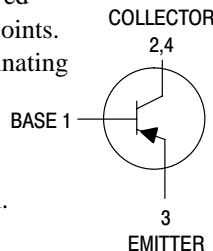


# PNP Silicon Epitaxial Transistor

This PNP Silicon Epitaxial transistor is designed for use in linear and switching applications. The device is housed in the SOT-223 package which is designed for medium power surface mount applications.

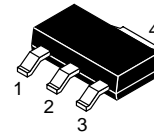
- NPN Complement is PZT2222AT1
- The SOT-223 package can be soldered using wave or reflow
- SOT-223 package ensures level mounting, resulting in improved thermal conduction, and allows visual inspection of soldered joints. The formed leads absorb thermal stress during soldering eliminating the possibility of damage to the die.
- Available in 12 mm tape and reel
  - Use PZT2907AT1 to order the 7 inch/1000 unit reel.
  - Use PZT2907AT3 to order the 13 inch/4000 unit reel.



## PZT2907AT1

ON Semiconductor Preferred Device

**SOT-223 PACKAGE  
PNP SILICON  
TRANSISTOR  
SURFACE MOUNT**



**CASE 318E-04, STYLE 1  
TO-261AA**

### MAXIMUM RATINGS (T<sub>C</sub> = 25°C unless otherwise noted)

| Rating  | Symbol                            | Value      | Unit           |
|---|-----------------------------------|------------|----------------|
| Collector-Emitter Voltage   | V <sub>CEO</sub>                  | -60        | Vdc            |
| Collector-Base Voltage  | V <sub>CBO</sub>                  | -60        | Vdc            |
| Emitter-Base Voltage  | V <sub>EBO</sub>                  | -5.0       | Vdc            |
| Collector Current   | I <sub>C</sub>                    | -600       | mAdc           |
| Total Power Dissipation @ T <sub>A</sub> = 25°C <sup>(1)</sup><br>Derate above 25°C | P <sub>D</sub>                    | 1.5<br>12  | Watts<br>mW/°C |
| Operating and Storage Temperature Range   | T <sub>J</sub> , T <sub>stg</sub> | -65 to 150 | °C             |

### THERMAL CHARACTERISTICS

|  |                  |           |           |
|--|------------------|-----------|-----------|
| Thermal Resistance — Junction-to-Ambient (surface mounted)               | R <sub>θJA</sub> | 83.3      | °C/W      |
| Lead Temperature for Soldering, 0.0625" from case<br>Time in Solder Bath | T <sub>L</sub>   | 260<br>10 | °C<br>Sec |

### DEVICE MARKING

P2F

### ELECTRICAL CHARACTERISTICS (T<sub>A</sub> = 25°C unless otherwise noted)

| Characteristic | Symbol | Min | Typ | Max | Unit |
|----------------|--------|-----|-----|-----|------|
|----------------|--------|-----|-----|-----|------|

### OFF CHARACTERISTICS

|   |                      |      |   |     |      |
|---|----------------------|------|---|-----|------|
| Collector-Base Breakdown Voltage (I <sub>C</sub> = -10 μAdc, I <sub>E</sub> = 0)        | V <sub>(BR)CBO</sub> | -60  | — | —   | Vdc  |
| Collector-Emitter Breakdown Voltage (I <sub>C</sub> = 10 mAdc, I <sub>B</sub> = 0)      | V <sub>(BR)CEO</sub> | -60  | — | —   | Vdc  |
| Emitter-Base Breakdown Voltage (I <sub>E</sub> = -10 μAdc, I <sub>C</sub> = 0)          | V <sub>(BR)EBO</sub> | -5.0 | — | —   | Vdc  |
| Collector-Base Cutoff Current (V <sub>CB</sub> = -50 Vdc, I <sub>E</sub> = 0)           | I <sub>CBO</sub>     | —    | — | -10 | nAdc |
| Collector-Emitter Cutoff Current (V <sub>CE</sub> = -30 Vdc, V <sub>BE</sub> = 0.5 Vdc) | I <sub>CEX</sub>     | —    | — | -50 | nAdc |
| Base-Emitter Cutoff Current (V <sub>CE</sub> = -30 Vdc, V <sub>BE</sub> = -0.5 Vdc)     | I <sub>BEX</sub>     | —    | — | -50 | nAdc |

1. Device mounted on a glass epoxy printed circuit board 1.575 in. x 1.575 in. x 0.059 in.; mounting pad for the collector lead min. 0.93 sq. in.

Preferred devices are ON Semiconductor recommended choices for future use and best overall value.

# PZT2907AT1

## ELECTRICAL CHARACTERISTICS ( $T_A = 25^\circ\text{C}$ unless otherwise noted) (Continued)

| Characteristic   | Symbol        | Min                           | Typ                   | Max                     | Unit |
|--|---------------|-------------------------------|-----------------------|-------------------------|------|
| <b>ON CHARACTERISTICS<sup>(2)</sup></b>  |               |                               |                       |                         |      |
| DC Current Gain<br>( $I_C = -0.1 \text{ mAdc}$ , $V_{CE} = -10 \text{ Vdc}$ )<br>( $I_C = -1.0 \text{ mAdc}$ , $V_{CE} = -10 \text{ Vdc}$ )<br>( $I_C = -10 \text{ mAdc}$ , $V_{CE} = -10 \text{ Vdc}$ )<br>( $I_C = -150 \text{ mAdc}$ , $V_{CE} = -10 \text{ Vdc}$ )<br>( $I_C = -500 \text{ mAdc}$ , $V_{CE} = -10 \text{ Vdc}$ ) | $h_{FE}$      | 75<br>100<br>100<br>100<br>50 | —<br>—<br>—<br>—<br>— | —<br>—<br>—<br>300<br>— | —    |
| Collector-Emitter Saturation Voltages<br>( $I_C = -150 \text{ mAdc}$ , $I_B = -15 \text{ mAdc}$ )<br>( $I_C = -500 \text{ mAdc}$ , $I_B = -50 \text{ mAdc}$ )  | $V_{CE(sat)}$ | —<br>—                        | —<br>—                | -0.4<br>-1.6            | Vdc  |
| Base-Emitter Saturation Voltages<br>( $I_C = -150 \text{ mAdc}$ , $I_B = -15 \text{ mAdc}$ )<br>( $I_C = -500 \text{ mAdc}$ , $I_B = -50 \text{ mAdc}$ )   | $V_{BE(sat)}$ | —<br>—                        | —<br>—                | -1.3<br>-2.6            | Vdc  |

## DYNAMIC CHARACTERISTICS

|  |       |     |   |     |     |
|--|-------|-----|---|-----|-----|
| Current-Gain — Bandwidth Product ( $I_C = -50 \text{ mAdc}$ , $V_{CE} = -20 \text{ Vdc}$ , $f = 100 \text{ MHz}$ ) | $f_T$ | 200 | — | —   | MHz |
| Output Capacitance ( $V_{CB} = -10 \text{ Vdc}$ , $I_E = 0$ , $f = 1.0 \text{ MHz}$ )                              | $C_c$ | —   | — | 8.0 | pF  |
| Input Capacitance ( $V_{EB} = -2.0 \text{ Vdc}$ , $I_C = 0$ , $f = 1.0 \text{ MHz}$ )                              | $C_e$ | —   | — | 30  | pF  |

## SWITCHING TIMES

|               |  |           |   |   |     |    |
|---------------|--|-----------|---|---|-----|----|
| Turn-On Time  | $(V_{CC} = -30 \text{ Vdc}$ , $I_C = -150 \text{ mAdc}$ ,<br>$I_{B1} = -15 \text{ mAdc}$ )           | $t_{on}$  | — | — | 45  | ns |
| Delay Time    |  | $t_d$     | — | — | 10  |    |
| Rise Time     |  | $t_r$     | — | — | 40  |    |
| Turn-Off Time | $(V_{CC} = -6.0 \text{ Vdc}$ , $I_C = -150 \text{ mAdc}$ ,<br>$I_{B1} = I_{B2} = -15 \text{ mAdc}$ ) | $t_{off}$ | — | — | 100 | ns |
| Storage Time  |  | $t_s$     | — | — | 80  |    |
| Fall Time     |  | $t_f$     | — | — | 30  |    |

2. Pulse Test: Pulse Width  $\leq 300 \mu\text{s}$ , Duty Cycle = 2.0%.

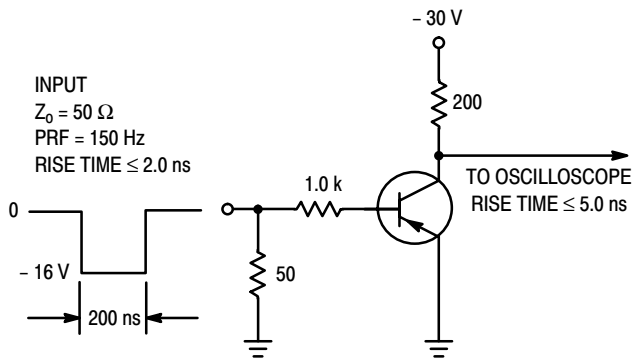


Figure 1. Delay and Rise Time Test Circuit

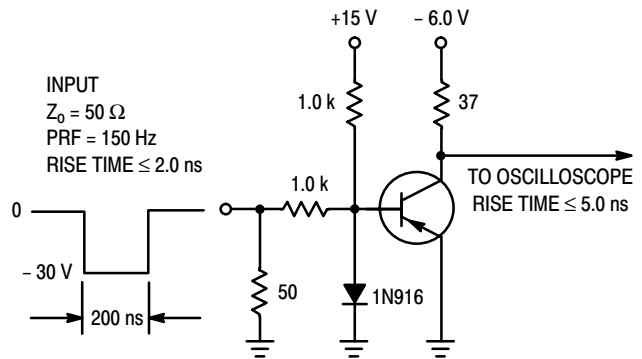


Figure 2. Storage and Fall Time Test Circuit

# PZT2907AT1

## TYPICAL ELECTRICAL CHARACTERISTICS

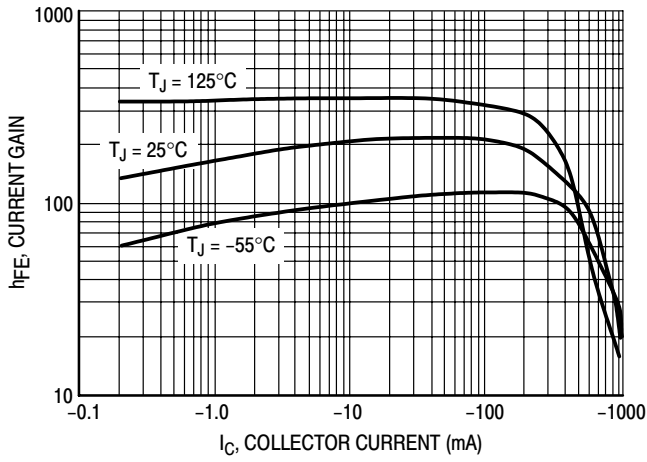


Figure 3. DC Current Gain

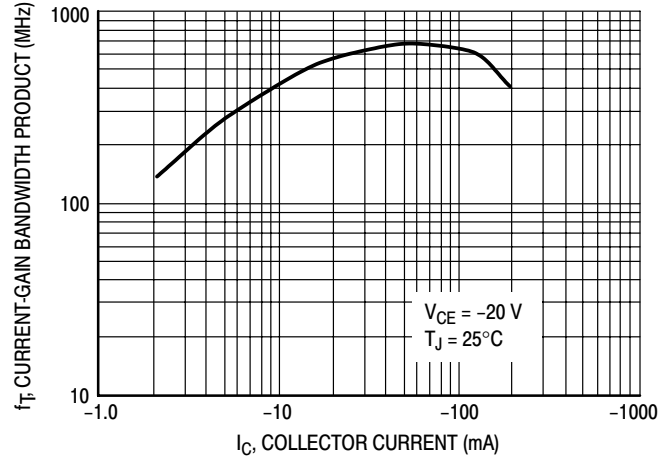


Figure 4. Current Gain Bandwidth Product

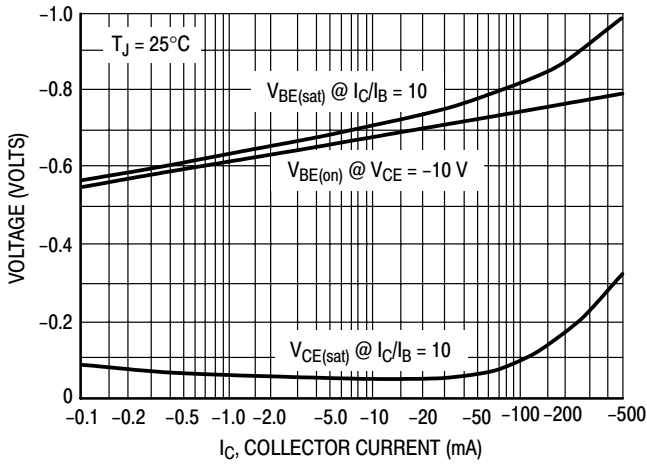


Figure 5. "ON" Voltage

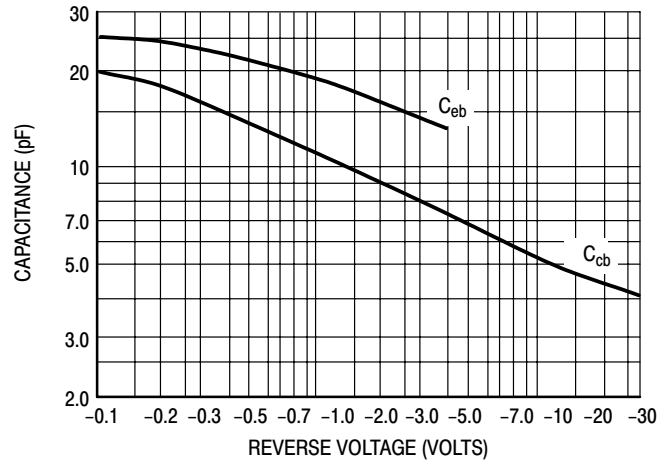


Figure 6. Capacitances

## INFORMATION FOR USING THE SOT-223 SURFACE MOUNT PACKAGE

### POWER DISSIPATION

The power dissipation of the SOT-223 is a function of the pad size. These can vary from the minimum pad size for soldering to the pad size given for maximum power dissipation. Power dissipation for a surface mount device is determined by  $T_{J(max)}$ , the maximum rated junction temperature of the die,  $R_{\theta JA}$ , the thermal resistance from the device junction to ambient; and the operating temperature,  $T_A$ . Using the values provided on the data sheet for the SOT-223 package,  $P_D$  can be calculated as follows.

$$P_D = \frac{T_{J(max)} - T_A}{R_{\theta JA}}$$

The values for the equation are found in the maximum ratings table on the data sheet. Substituting these values into

the equation for an ambient temperature  $T_A$  of 25°C, one can calculate the power dissipation of the device which in this case is 1.5 watts.

$$P_D = \frac{150^\circ\text{C} - 25^\circ\text{C}}{83.3^\circ\text{C/W}} = 1.5 \text{ watts}$$

The 83.3°C/W for the SOT-223 package assumes the recommended collector pad area of 965 sq. mils on a glass epoxy printed circuit board to achieve a power dissipation of 1.5 watts. If space is at a premium, a more realistic approach is to use the device at a  $P_D$  of 833 mW using the footprint shown. Using a board material such as Thermal Clad, a power dissipation of 1.6 watts can be achieved using the same footprint.

### MOUNTING PRECAUTIONS

The melting temperature of solder is higher than the rated temperature of the device. When the entire device is heated to a high temperature, failure to complete soldering within a short time could result in device failure. Therefore, the following items should always be observed in order to minimize the thermal stress to which the devices are subjected.

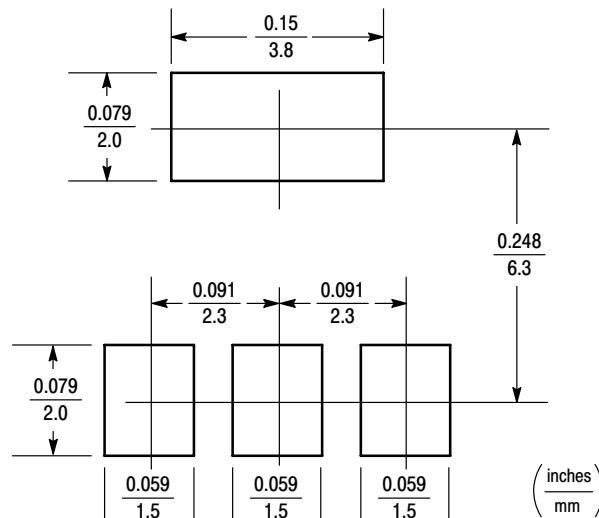
- Always preheat the device.
- The delta temperature between the preheat and soldering should be 100°C or less.\*
- When preheating and soldering, the temperature of the leads and the case must not exceed the maximum temperature ratings as shown on the data sheet. When using infrared heating with the reflow soldering method, the difference should be a maximum of 10°C.

- The soldering temperature and time should not exceed 260°C for more than 10 seconds.
  - When shifting from preheating to soldering, the maximum temperature gradient should be 5°C or less.
  - After soldering has been completed, the device should be allowed to cool naturally for at least three minutes. Gradual cooling should be used as the use of forced cooling will increase the temperature gradient and result in latent failure due to mechanical stress.
  - Mechanical stress or shock should not be applied during cooling
- \* Soldering a device without preheating can cause excessive thermal shock and stress which can result in damage to the device.

### MINIMUM RECOMMENDED FOOTPRINT FOR SURFACE MOUNTED APPLICATIONS

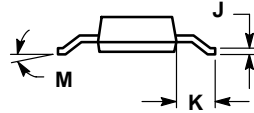
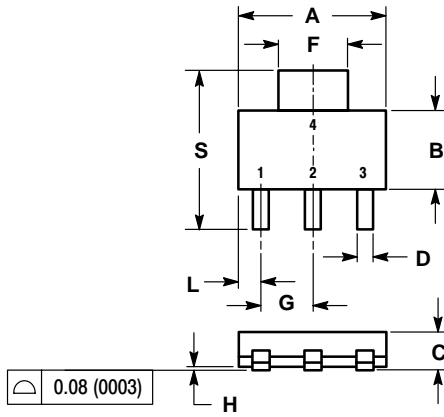
Surface mount board layout is a critical portion of the total design. The footprint for the semiconductor packages must be the correct size to insure proper solder connection

interface between the board and the package. With the correct pad geometry, the packages will self align when subjected to a solder reflow process.



# PZT2907AT1

## PACKAGE DIMENSIONS SOT-223 (TO-261) CASE 318E-04 ISSUE K



- NOTES:
1. DIMENSIONING AND TOLERANCING PER ANSI Y14.5M, 1982.
  2. CONTROLLING DIMENSION: INCH.

| DIM | INCHES |        | MILLIMETERS |       |
|-----|--------|--------|-------------|-------|
|     | MIN    | MAX    | MIN         | MAX   |
| A   | 0.249  | 0.263  | 6.30        | 6.70  |
| B   | 0.130  | 0.145  | 3.30        | 3.70  |
| C   | 0.060  | 0.068  | 1.50        | 1.75  |
| D   | 0.024  | 0.035  | 0.60        | 0.89  |
| F   | 0.115  | 0.126  | 2.90        | 3.20  |
| G   | 0.087  | 0.094  | 2.20        | 2.40  |
| H   | 0.0008 | 0.0040 | 0.020       | 0.100 |
| J   | 0.009  | 0.014  | 0.24        | 0.35  |
| K   | 0.060  | 0.078  | 1.50        | 2.00  |
| L   | 0.033  | 0.041  | 0.85        | 1.05  |
| M   | 0°     | 10°    | 0°          | 10°   |
| S   | 0.264  | 0.287  | 6.70        | 7.30  |

- STYLE 1:  
PIN 1. BASE  
2. COLLECTOR  
3. EMITTER  
4. COLLECTOR

**Notes**

**Notes**

Thermal Clad is a trademark of the Bergquist Company

**ON Semiconductor** and  are trademarks of Semiconductor Components Industries, LLC (SCILLC). SCILLC reserves the right to make changes without further notice to any products herein. SCILLC makes no warranty, representation or guarantee regarding the suitability of its products for any particular purpose, nor does SCILLC assume any liability arising out of the application or use of any product or circuit, and specifically disclaims any and all liability, including without limitation special, consequential or incidental damages. "Typical" parameters which may be provided in SCILLC data sheets and/or specifications can and do vary in different applications and actual performance may vary over time. All operating parameters, including "Typicals" must be validated for each customer application by customer's technical experts. SCILLC does not convey any license under its patent rights nor the rights of others. SCILLC products are not designed, intended, or authorized for use as components in systems intended for surgical implant into the body, or other applications intended to support or sustain life, or for any other application in which the failure of the SCILLC product could create a situation where personal injury or death may occur. Should Buyer purchase or use SCILLC products for any such unintended or unauthorized application, Buyer shall indemnify and hold SCILLC and its officers, employees, subsidiaries, affiliates, and distributors harmless against all claims, costs, damages, and expenses, and reasonable attorney fees arising out of, directly or indirectly, any claim of personal injury or death associated with such unintended or unauthorized use, even if such claim alleges that SCILLC was negligent regarding the design or manufacture of the part. SCILLC is an Equal Opportunity/Affirmative Action Employer.

## PUBLICATION ORDERING INFORMATION

### **NORTH AMERICA Literature Fulfillment:**

Literature Distribution Center for ON Semiconductor  
P.O. Box 5163, Denver, Colorado 80217 USA  
**Phone:** 303-675-2175 or 800-344-3860 Toll Free USA/Canada  
**Fax:** 303-675-2176 or 800-344-3867 Toll Free USA/Canada  
**Email:** ONlit@hibbertco.com  
Fax Response Line: 303-675-2167 or 800-344-3810 Toll Free USA/Canada

**N. American Technical Support:** 800-282-9855 Toll Free USA/Canada

**EUROPE:** LDC for ON Semiconductor – European Support

**German Phone:** (+1) 303-308-7140 (Mon-Fri 2:30pm to 7:00pm CET)  
**Email:** ONlit-german@hibbertco.com  
**French Phone:** (+1) 303-308-7141 (Mon-Fri 2:00pm to 7:00pm CET)  
**Email:** ONlit-french@hibbertco.com  
**English Phone:** (+1) 303-308-7142 (Mon-Fri 12:00pm to 5:00pm GMT)  
**Email:** ONlit@hibbertco.com

**EUROPEAN TOLL-FREE ACCESS\*: 00-800-4422-3781**

\*Available from Germany, France, Italy, UK, Ireland

### **CENTRAL/SOUTH AMERICA:**

**Spanish Phone:** 303-308-7143 (Mon-Fri 8:00am to 5:00pm MST)  
**Email:** ONlit-spanish@hibbertco.com  
**Toll-Free from Mexico:** Dial 01-800-288-2872 for Access –  
then Dial 866-297-9322

**ASIA/PACIFIC:** LDC for ON Semiconductor – Asia Support

**Phone:** 1-303-675-2121 (Tue-Fri 9:00am to 1:00pm, Hong Kong Time)  
**Toll Free from Hong Kong & Singapore:**  
**001-800-4422-3781**

**Email:** ONlit-asia@hibbertco.com

**JAPAN:** ON Semiconductor, Japan Customer Focus Center

4-32-1 Nishi-Gotanda, Shinagawa-ku, Tokyo, Japan 141-0031  
**Phone:** 81-3-5740-2700  
**Email:** r14525@onsemi.com

**ON Semiconductor Website:** <http://onsemi.com>

For additional information, please contact your local Sales Representative.