

DESCRIPTION

PT6312 is a Vacuum Fluorescent Display (VFD) Controller driven on a 1/4 to 1/11 duty factor. Eleven segment output lines, 6 grid output lines, 5 segment/grid output drive lines, one display memory, control circuit, key scan circuit are all incorporated into a single chip to build a highly reliable peripheral device for a single chip micro computer. Serial data is fed to PT6312 via a three-line serial interface. It is housed in a 44-pin plastic QFP or LQFP Package and is functionally compatible with μ pD16312.

FEATURES

- CMOS Technology
- Low Power Consumption
- Key Scanning (6 x 4 matrix)
- Multiple Display Modes: (11 segments, 11 digits to 16 segments, 6 digits)
- 8-Step Dimming Circuitry
- LED Ports Provided (4 channels, 20 mA max.)
- 4- Bits General Purpose Input Ports Provided
- Serial Interface for Clock, Data Input, Data Output, Strobe Pins
- No External Resistors Needed for Driver Outputs
- Functional Compatibility with μ pD16312
- Available in 44-pin, QFP or LQFP Package

APPLICATION

- Micro-computer Peripheral Device

PIN CONFIGURATION

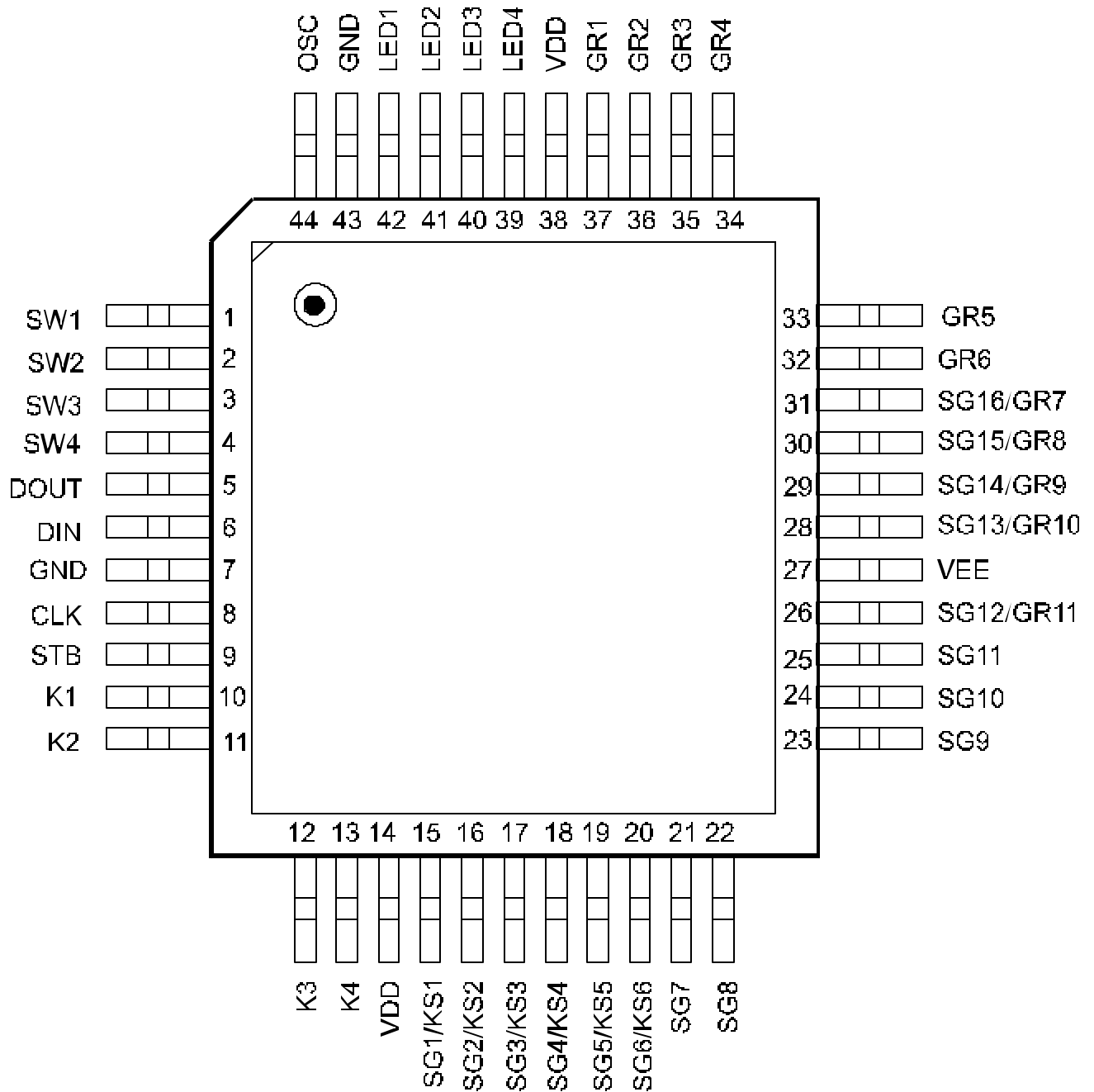


Figure 2: PT6312 Pin Configuration

ORDER INFORMATION

Valid Part Number	Package Type
PT6312	44 pins, QFP Package
PT6312LQ	44 pins, LQFP Package

6-GRID X 16-SEGMENT VFD APPLICATION CIRCUIT

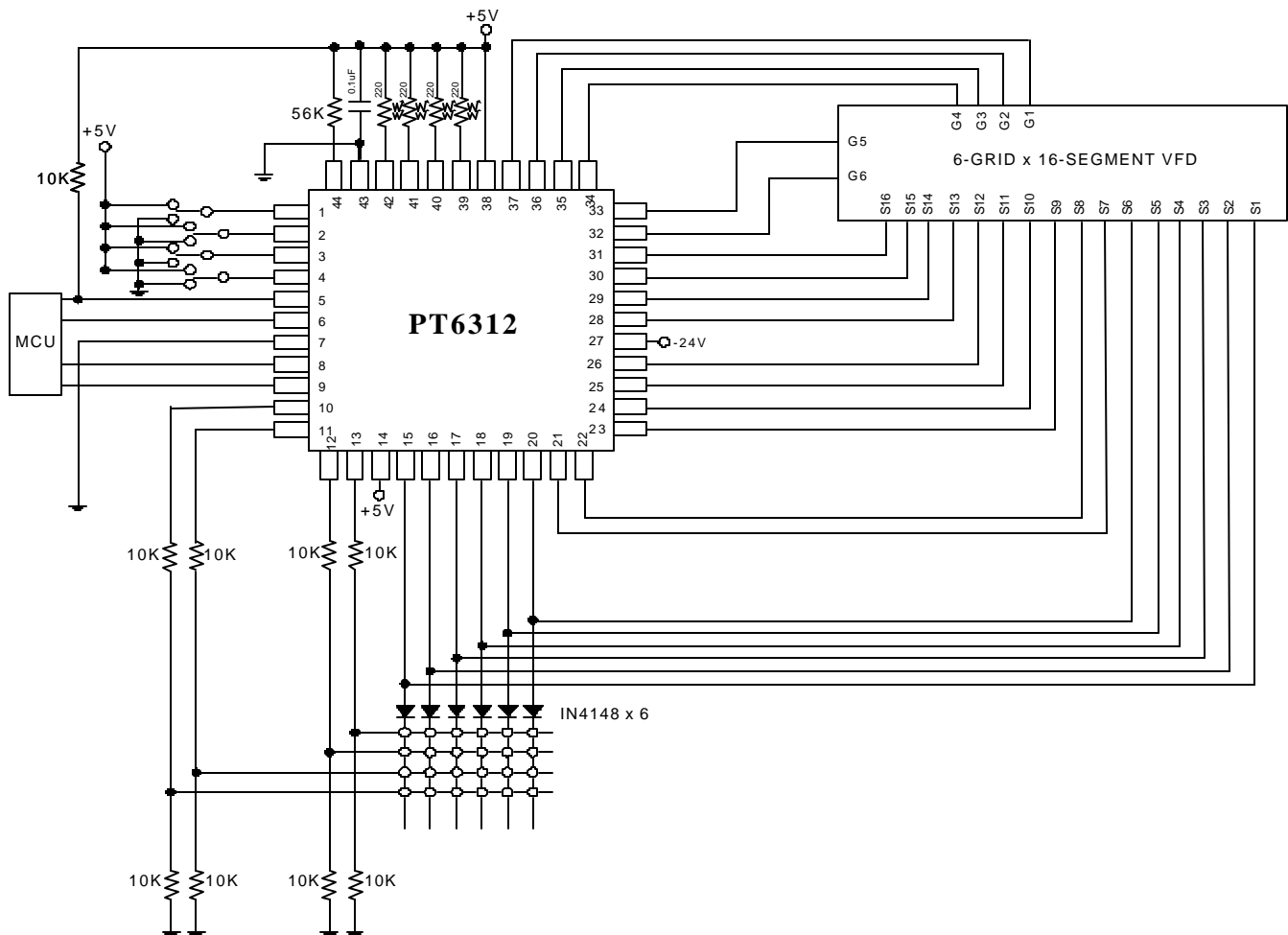


Figure 18: PT6312 Application Circuit

