

DESCRIPTION

PT2257 is an Electronic Volume Controller IC utilizing CMOS Technology specially designed for the new generation of AV Entertainment Products. It has two (2) built-in channels making it ideally suitable for mono and stereo sound applications. PT2257 provides an I2C Control Interface, an attenuation range of 0 to -79 dB, low noise, high channel separation. Housed in 8-pin, DIP or SO Package, PT2257's pin assignments and application circuit are optimized for easy PCB Layout and cost saving advantages.

FEATURES

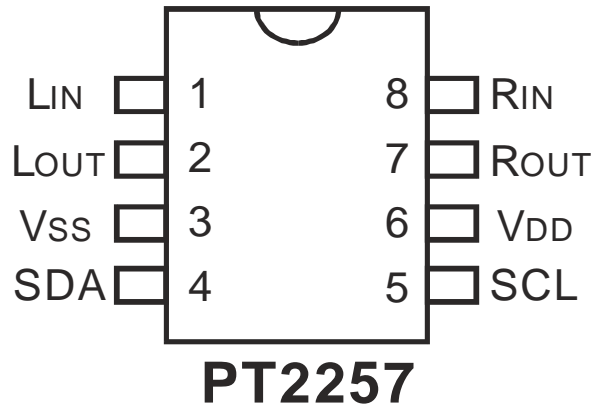
- CMOS Technology
- Low Power Consumption
- Least External Components
- Attenuation Range: 0 to -79 dB at 1dB/step
- Operating Voltage: 4 to 9 V
- Low Noise, S/N Ratio>100dB (A-weighting)
- Two Channel Output
- Available in 8-pin, DIP or SO Package

APPLICATIONS

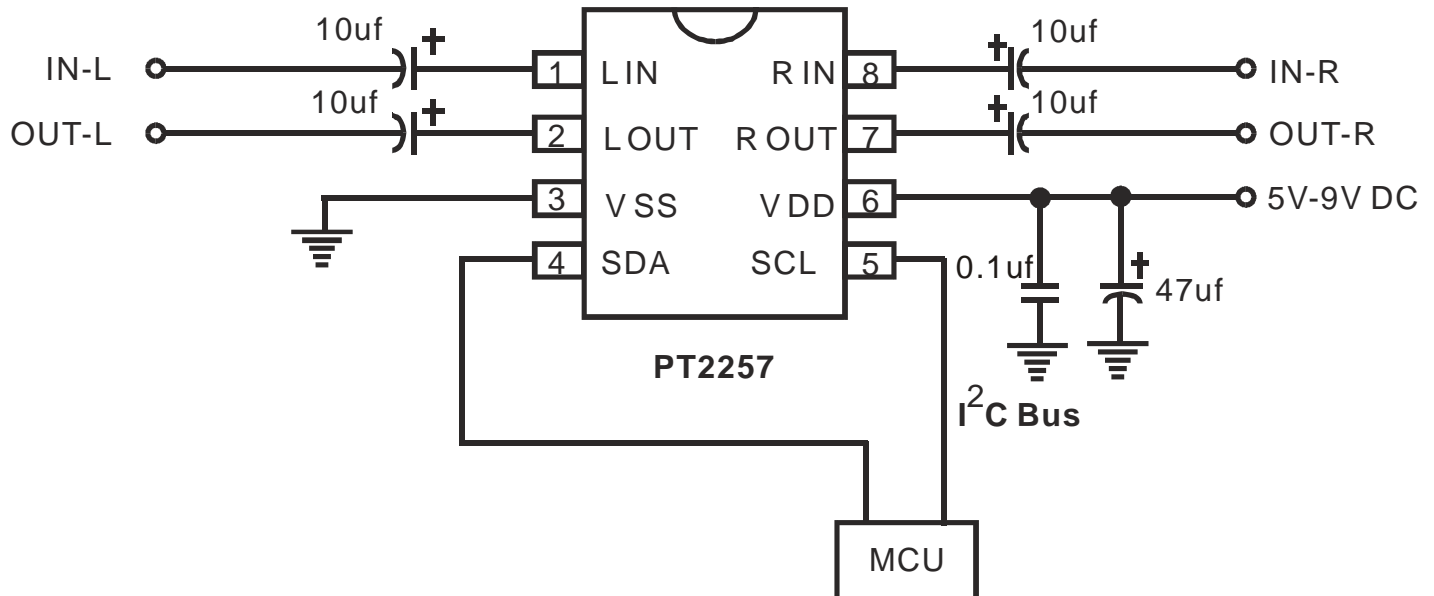
- AV Surround Audio Equipment
- Car Audio
- Mini Compo
- Computer Multi-Media Speaker
- Other Audio Equipments

Electronic Volume Controller IC **PT2257**

PIN CONFIGURATION



APPLICATION CIRCUIT



ORDER INFORMATION

Valid Part Number	Package	Top Code
PT2577	8-Pin, DIP (300 mil)	
PT2577-S	8-Pin SO (150 mil)	