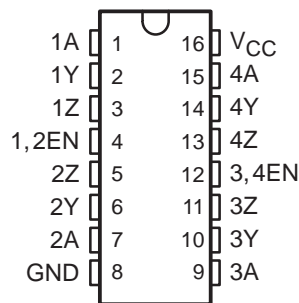


# MC3487 QUADRUPLE DIFFERENTIAL LINE DRIVER

SLLS098A – MAY 1980 – REVISED MAY 1995

- Meets or Exceeds Requirements of ANSI EIA/TIA-422-B and ITU Recommendation V.11
- 3-State, TTL-Compatible Outputs
- Fast Transition Times
- High-Impedance Inputs
- Single 5-V Supply
- Power-Up and Power-Down Protection
- Designed to Be Interchangeable With Motorola MC3487

D OR N PACKAGE  
(TOP VIEW)



## description

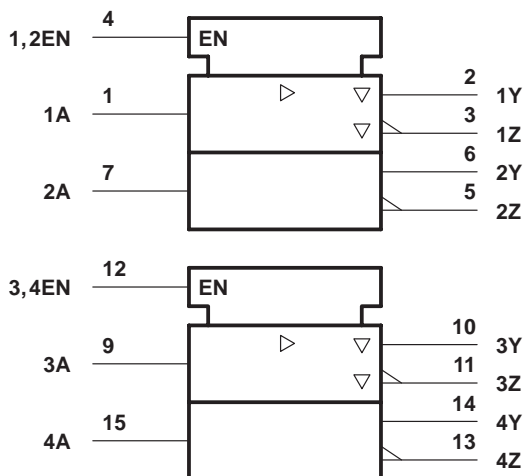
The MC3487 offers four independent differential line drivers designed to meet the specifications of ANSI EIA/TIA-422-B and ITU Recommendation V.11. Each driver has a TTL-compatible input buffered to reduce current and minimize loading.

The driver outputs utilize 3-state circuitry to provide high-impedance states at any pair of differential outputs when the appropriate output enable is at a low logic level. Internal circuitry is provided to ensure a high-impedance state at the differential outputs during power-up and power-down transition times provided the output enable is low. The outputs are capable of source or sink currents of 48 mA.

The MC3487 is designed for optimum performance when used with the MC3486 quadruple line receiver. It is supplied in a 16-pin dual-in-line package and operates from a single 5-V supply.

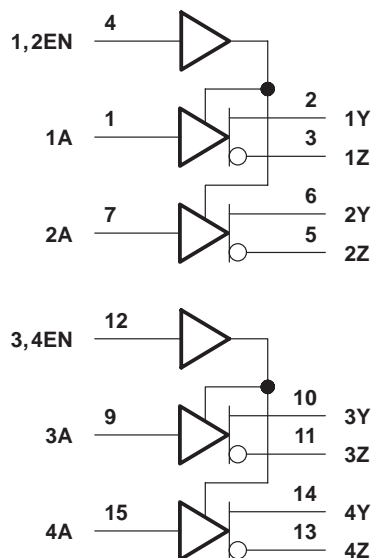
The MC3487 is characterized for operation from 0°C to 70°C.

## logic symbol†



† This symbol is in accordance with ANSI/IEEE Std 91-1984 and IEC Publication 617-12.

## logic diagram (positive logic)



Please be aware that an important notice concerning availability, standard warranty, and use in critical applications of Texas Instruments semiconductor products and disclaimers thereto appears at the end of this data sheet.

PRODUCTION DATA information is current as of publication date. Products conform to specifications per the terms of Texas Instruments standard warranty. Production processing does not necessarily include testing of all parameters.

**TEXAS  
INSTRUMENTS**

POST OFFICE BOX 655303 • DALLAS, TEXAS 75265

Copyright © 1995, Texas Instruments Incorporated

# MC3487 QUADRUPLE DIFFERENTIAL LINE DRIVER

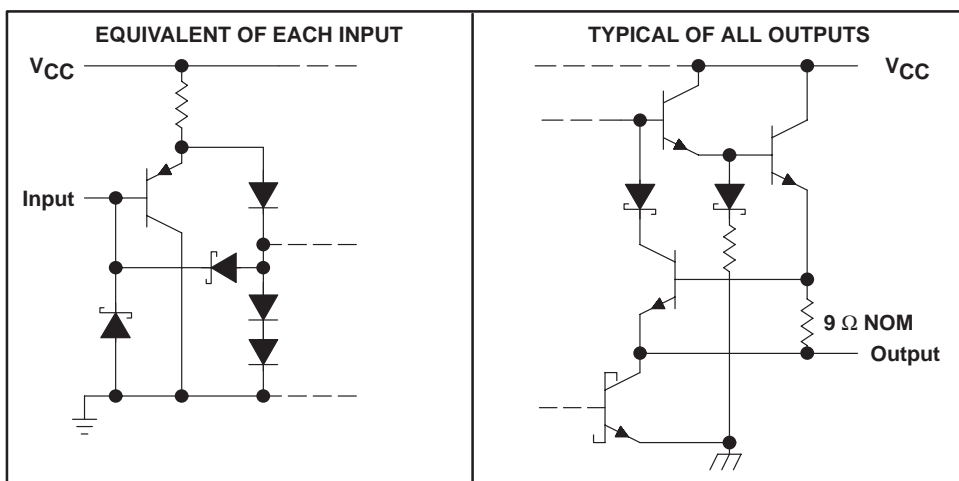
SLLS098A – MAY 1980 – REVISED MAY 1995

**FUNCTION TABLE**  
(each driver)

INPUT	OUTPUT ENABLE	OUTPUTS	
		Y	Z
H	H	H	L
L	H	L	H
X	L	Z	Z

H = TTL high level, L = TTL low level,  
X = irrelevant, Z = High impedance

## schematics of inputs and outputs



## absolute maximum ratings over operating free-air temperature range (unless otherwise noted)†

Supply voltage, $V_{CC}$ (see Note 1)	8 V
Input voltage, $V_I$	5.5 V
Output voltage, $V_O$	7 V
Continuous total power dissipation	See Dissipation Rating Table
Operating free-air temperature range, $T_A$	0°C to 70°C
Storage temperature range, $T_{stg}$	-65°C to 150°C
Lead temperature 1,6 mm (1/16 inch) from case for 10 seconds: D or N package	260°C

† Stresses beyond those listed under “absolute maximum ratings” may cause permanent damage to the device. These are stress ratings only, and functional operation of the device at these or any other conditions beyond those indicated under “recommended operating conditions” is not implied. Exposure to absolute-maximum-rated conditions for extended periods may affect device reliability.

NOTE 1: All voltage values, except differential output voltage,  $V_{OD}$ , are with respect to the network ground terminal.

**DISSIPATION RATING TABLE**

PACKAGE	$T_A \leq 25^\circ\text{C}$ POWER RATING	DERATING FACTOR ABOVE $T_A = 25^\circ\text{C}$	$T_A = 70^\circ\text{C}$ POWER RATING
D	950 mW	7.6 mW/°C	608 mW
N	1150 mW	9.2 mW/°C	736 mW

# MC3487 QUADRUPLE DIFFERENTIAL LINE DRIVER

SLLS098A – MAY 1980 – REVISED MAY 1995

## recommended operating conditions

	MIN	NOM	MAX	UNIT
Supply voltage, $V_{CC}$	4.75	5	5.25	V
High-level input voltage, $V_{IH}$	2			V
Low-level input voltage, $V_{IL}$			0.8	V
Operating free-air temperature, $T_A$	0		70	°C

## electrical characteristics over recommended ranges of supply voltage and operating free-air temperature (unless otherwise noted)

PARAMETER	TEST CONDITIONS	MIN	MAX	UNIT
$V_{IK}$ Input clamp voltage	$I_I = -18$ mA		-1.5	V
$V_{OH}$ High-level output voltage	$V_{IL} = 0.8$ V, $V_{IH} = 2$ V, $I_{OH} = -20$ mA	2.5		V
$V_{OL}$ Low-level output voltage	$V_{IL} = 0.8$ V, $V_{IH} = 2$ V, $I_{OL} = 48$ mA		0.5	V
$ V_{OD} $ Differential output voltage	$R_L = 100$ $\Omega$ , See Figure 1	2		
$\Delta V_{OD} $ Change in magnitude of differential output voltage <sup>†</sup>	$R_L = 100$ $\Omega$ , See Figure 1		$\pm 0.4$	V
$V_{OC}$ Common-mode output voltage <sup>‡</sup>	$R_L = 100$ $\Omega$ , See Figure 1		3	V
$\Delta V_{OC} $ Change in magnitude of common-mode output voltage <sup>†</sup>	$R_L = 100$ $\Omega$ , See Figure 1		$\pm 0.4$	V
$I_O$ Output current with power off	$V_{CC} = 0$ $V_O = 6$ V $V_O = -0.25$ V		100 -100	$\mu$ A
$I_{OZ}$ High-impedance-state output current	Output enables at 0.8 V $V_O = 2.7$ V $V_O = 0.5$ V		100 -100	$\mu$ A
$I_I$ Input current at maximum input voltage	$V_I = 5.5$ V		100	$\mu$ A
$I_{IH}$ High-level input current	$V_I = 2.7$ V		50	$\mu$ A
$I_{IL}$ Low-level input current	$V_I = 0.5$ V		-400	$\mu$ A
$I_{OS}$ Short-circuit output current <sup>§</sup>	$V_I = 2$ V	-40	-140	mA
$I_{CC}$ Supply current (all drivers)	Outputs disabled Outputs enabled, No load		105 85	mA

<sup>†</sup>  $\Delta|V_{OD}|$  and  $\Delta|V_{OC}|$  are the changes in magnitude of  $V_{OD}$  and  $V_{OC}$ , respectively, that occur when the input is changed from a high level to a low level.

<sup>‡</sup> In ANSI Standard EIA/TIA-422-B,  $V_{OC}$ , which is the average of the two output voltages with respect to ground, is called output offset voltage,  $V_{OS}$ .

<sup>§</sup> Only one output at a time should be shorted, and duration of the short circuit should not exceed one second.

## switching characteristics over recommended operating free-air temperature range, $V_{CC} = 5$ V

PARAMETER	TEST CONDITIONS	MIN	MAX	UNIT
$t_{PLH}$ Propagation delay time, low- to high-level output	$C_L = 15$ pF, See Figure 2		20	ns
$t_{PHL}$ Propagation delay time, high- to low-level output			20	ns
Skew time			6	ns
$t_t(OD)$ Differential-output transition time	$C_L = 15$ pF, See Figure 3		20	ns
$t_{PZH}$ Output enable time to high level	$C_L = 50$ pF, See Figure 4		30	ns
$t_{PZL}$ Output enable time to low level			30	ns
$t_{PHZ}$ Output disable time from high level			25	ns
$t_{PLZ}$ Output disable time from low level			30	ns



# MC3487 QUADRUPLE DIFFERENTIAL LINE DRIVER

SLLS098A – MAY 1980 – REVISED MAY 1995

## PARAMETER MEASUREMENT INFORMATION

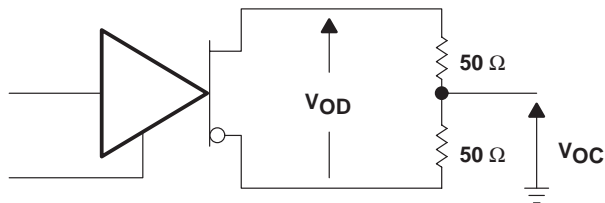
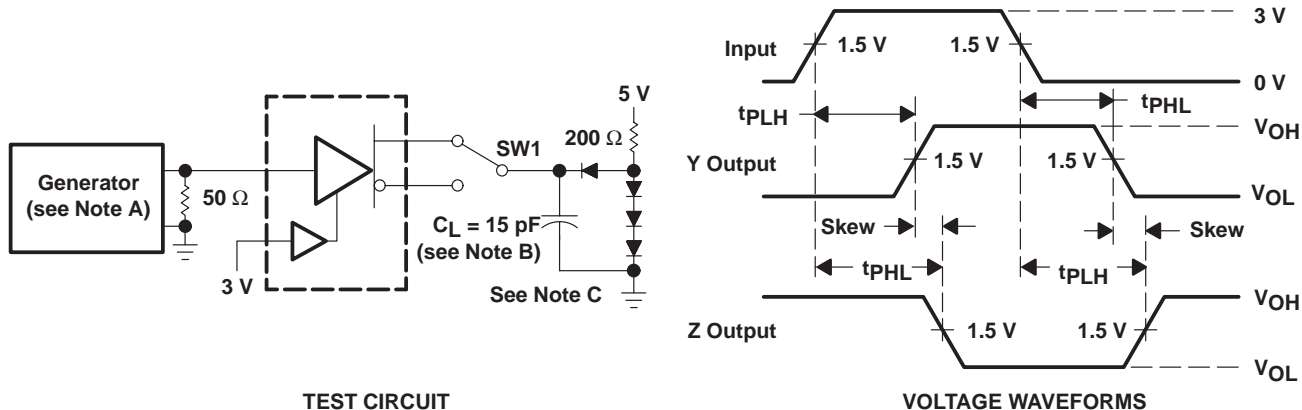
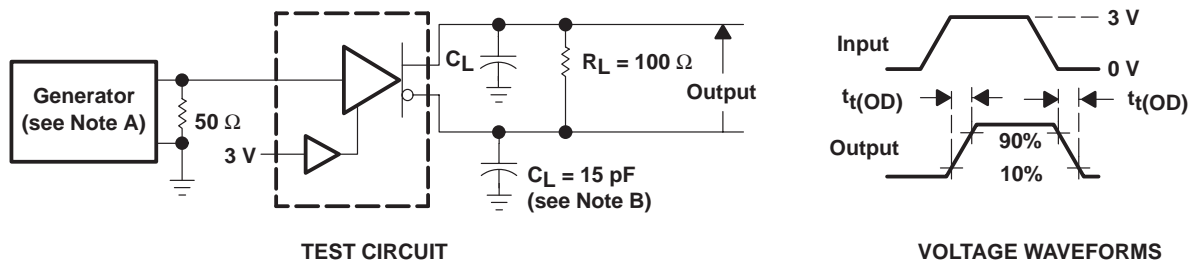


Figure 1. Differential and Common-Mode Output Voltages



- NOTES: A. The input pulse is supplied by a generator having the following characteristics:  $t_r \leq 5$  ns,  $t_f \leq 5$  ns,  $PRR \leq 1$  MHz, duty cycle = 50%,  $Z_O = 50 \Omega$ .  
 B.  $C_L$  includes probe and stray capacitance.  
 C. All diodes are 1N916 or 1N3064.

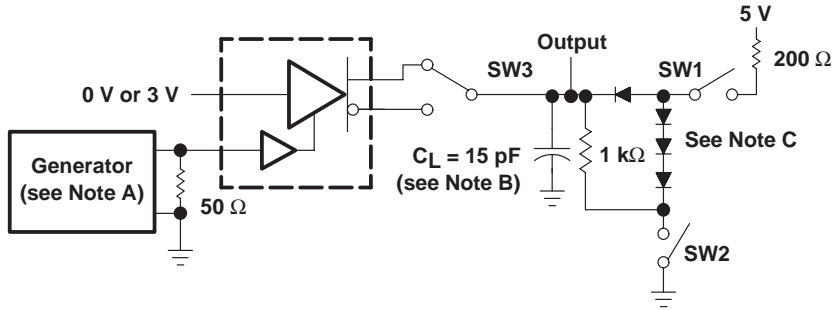
Figure 2. Test Circuit and Voltage Waveforms



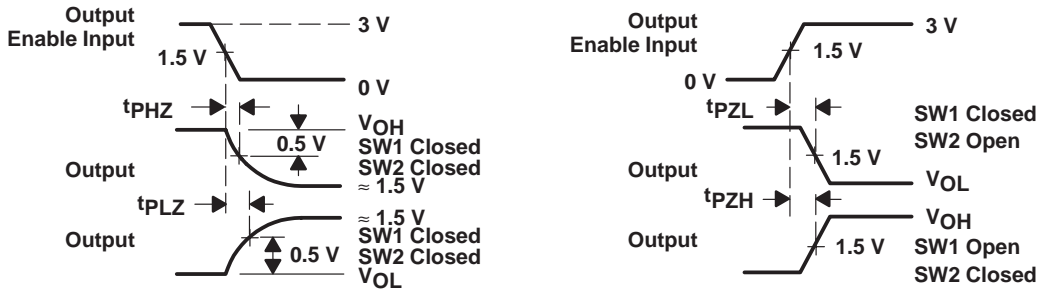
- NOTES: A. The input pulse is supplied by a generator having the following characteristics:  $t_r \leq 5$  ns,  $t_f \leq 5$  ns,  $PRR \leq 1$  MHz, duty cycle = 50%,  $Z_O = 50 \Omega$ .  
 B.  $C_L$  includes probe and stray capacitance.

Figure 3. Test Circuit and Voltage Waveforms

PARAMETER MEASUREMENT INFORMATION



TEST CIRCUIT



VOLTAGE WAVEFORMS

- NOTES: A. The input pulse is supplied by a generator having the following characteristics:  $t_r \leq 5 \text{ ns}$ ,  $t_f \leq 5 \text{ ns}$ ,  $\text{PRR} \leq 1 \text{ MHz}$ , duty cycle = 50%,  $Z_O = 50 \Omega$ .  
 B.  $C_L$  includes probe and stray capacitance.  
 C. All diodes are 1N916 or 1N3064.

Figure 4. Driver Test Circuit and Voltage Waveforms

## **IMPORTANT NOTICE**

Texas Instruments and its subsidiaries (TI) reserve the right to make changes to their products or to discontinue any product or service without notice, and advise customers to obtain the latest version of relevant information to verify, before placing orders, that information being relied on is current and complete. All products are sold subject to the terms and conditions of sale supplied at the time of order acknowledgement, including those pertaining to warranty, patent infringement, and limitation of liability.

TI warrants performance of its semiconductor products to the specifications applicable at the time of sale in accordance with TI's standard warranty. Testing and other quality control techniques are utilized to the extent TI deems necessary to support this warranty. Specific testing of all parameters of each device is not necessarily performed, except those mandated by government requirements.

**CERTAIN APPLICATIONS USING SEMICONDUCTOR PRODUCTS MAY INVOLVE POTENTIAL RISKS OF DEATH, PERSONAL INJURY, OR SEVERE PROPERTY OR ENVIRONMENTAL DAMAGE ("CRITICAL APPLICATIONS"). TI SEMICONDUCTOR PRODUCTS ARE NOT DESIGNED, AUTHORIZED, OR WARRANTED TO BE SUITABLE FOR USE IN LIFE-SUPPORT DEVICES OR SYSTEMS OR OTHER CRITICAL APPLICATIONS. INCLUSION OF TI PRODUCTS IN SUCH APPLICATIONS IS UNDERSTOOD TO BE FULLY AT THE CUSTOMER'S RISK.**

In order to minimize risks associated with the customer's applications, adequate design and operating safeguards must be provided by the customer to minimize inherent or procedural hazards.

TI assumes no liability for applications assistance or customer product design. TI does not warrant or represent that any license, either express or implied, is granted under any patent right, copyright, mask work right, or other intellectual property right of TI covering or relating to any combination, machine, or process in which such semiconductor products or services might be or are used. TI's publication of information regarding any third party's products or services does not constitute TI's approval, warranty or endorsement thereof.