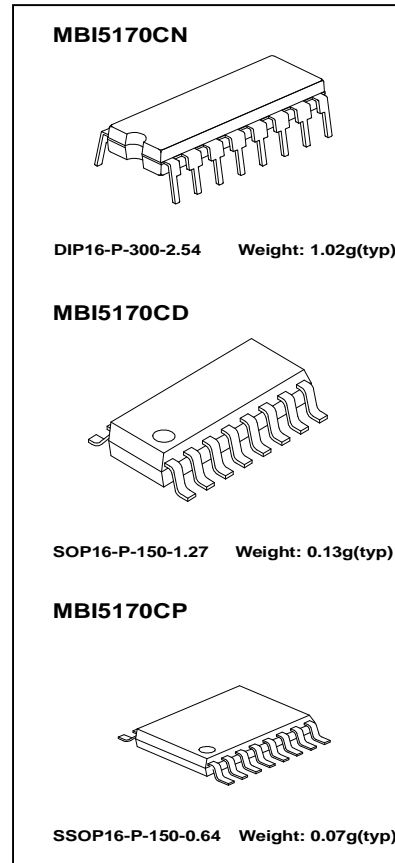




8-bit Constant Current LED Sink Driver with Gain Control

Features

- | 8 constant-current output channels
- | Output current adjustable through an external resistor
- | Output current gain programmable for White Balance
- | Constant output current range: 5 -120 mA
- | Excellent output current accuracy, between channels <math>< \pm 4\% </math> (max.), and between ICs <math>< \pm 6\% </math> (max.).
- | Constant output current invariant to load voltage change
- | Fast response of output current, \overline{OE} (min.): 400 ns
- | 25MHz clock frequency
- | Schmitt trigger input
- | 5V supply voltage



Current Accuracy		Conditions
Between Channels	Between ICs	
<math>< \pm 4\% </math>	<math>< \pm 6\% </math>	$I_{OUT} = 10 \text{ mA to } 60 \text{ mA}, V_{DS} = 0.6V$
<math>< \pm 6\% </math>	<math>< \pm 12\% </math>	$I_{OUT} = 60 \text{ mA to } 100 \text{ mA}, V_{DS} = 0.8V$

MBI5170 8-bit Constant Current LED Sink Driver with Gain Control

Product Description

MBI5170 succeeds MBI5168 and is designed for LED displays with Gain Control extension. MBI5170 exploits PrecisionDrive™ technology to enhance its output characteristics. MBI5170 contains a serial buffer and data latches, which convert serial input data into parallel output format. At MBI5170 output stage, eight regulated current ports are designed to provide constant current sinks for driving LEDs within a wide range of Vf variations.

MBI5170 provides users with great flexibility and device performance while using MBI5170 in their LED panel system design. Users may adjust the output current from 5 mA to 120 mA through an external resistor R_{ext} , which gives users flexibility in controlling the light intensity of LEDs. MBI5170 guarantees to endure maximum 17V at the output port. The high clock frequency, 25 MHz, also satisfies the system requirements of high volume data transmission.

MBI5170 also exploits Share-I-O™ technology and is backward compatible with MBI5168 in both electrical characteristics and package aspect. To utilize the Current Adjust feature with Share-I-O™ technology, users may not need to change the printed circuit board originally for MBI5168. To enter a special function mode- Current Adjust mode, users just need to set a sequence of signals on LE(CA1), \overline{OE} (CA2) and CLK input pins. Normally, the output current can be regulated only through an external resistor. In addition, in the Current Adjust mode, the output current can be software-programmable by a system controller. The system controller adjusts the output current by sending a 7-bit Current Adjust code to 8-bit Configuration Latch through MBI5170 SDI pin. The code will be latched and effective to control the output current regulator. A fine adjustment of the output current could be achieved by a gain ranging from 0.5 to 2 with 128 fine steps. By setting another sequence of signals on LE(CA1), \overline{OE} (CA2) and CLK input pins, MBI5170 may resume to a Normal mode and perform as MBI5168. The Shift Register, with SDI, SDO, and CLK, carries the image data as usual.

A Share-I-O™ technique is specifically applied to MBI5170. By means of the Share-I-O™ technique, an additionally effective function, Current Gain, can be added to LED drivers, however, without any extra pins. Thus, MBI5170 could be a drop-in replacement of MBI5168. The printed circuit board originally designed for MBI5168 may be also applicable for MBI5170.

For MBI5170, the pin 4, LE(CA1), and the pin 21, \overline{OE} (CA2), can be acted as different functions as follows:

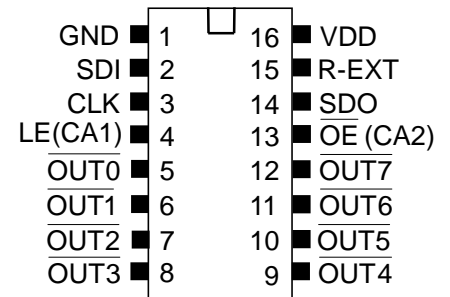
Pin	Device Name	MBI5170
Function Description of Pin 4		LE + Error Detection (CA1)
Function Description of Pin 13		\overline{OE} + Error Detection (CA2)

MBI5170 8-bit Constant Current LED Sink Driver with Gain Control

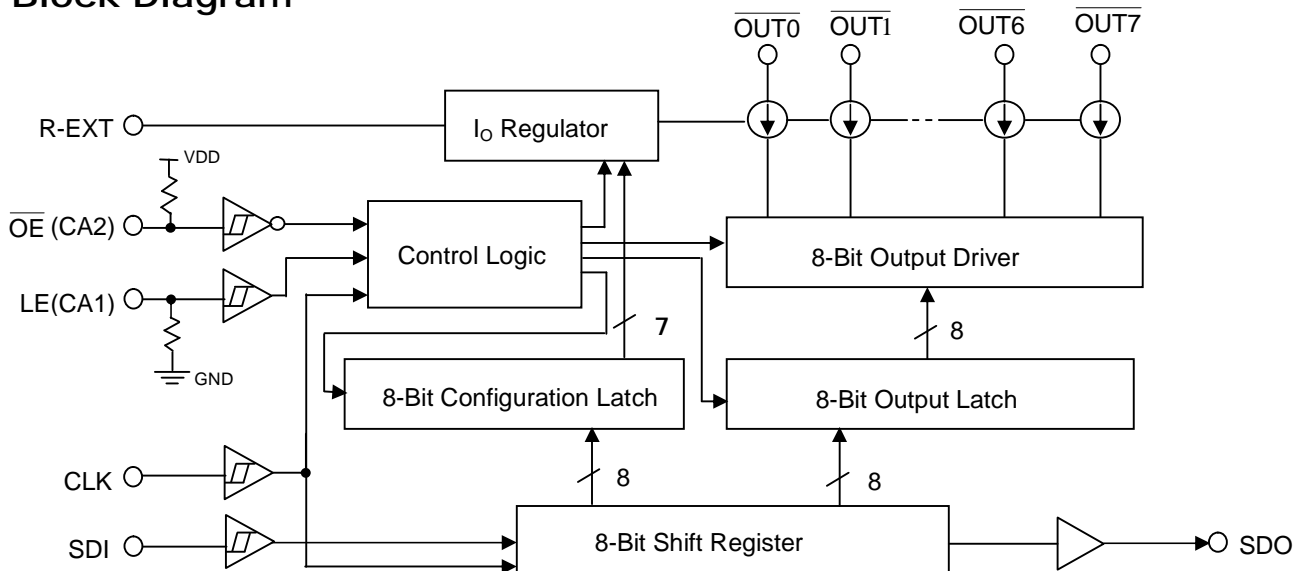
Terminal Description

PIN NO.	PIN NAME	FUNCTION
1	GND	Ground terminal for control logic and current sink
2	SDI	Serial-data input to the Shift Register
3	CLK	Clock input terminal for data shift on rising edge
4	LE(CA1)	Data strobe input terminal Serial data is transferred to the respective latch when LE(CA1) is high. The data is latched when LE(CA1) goes low. Also, a control signal input for Current Adjust mode (See Timing Diagram)
5-12	$\overline{\text{OUT0}} \sim \overline{\text{OUT7}}$	Constant current output terminals
13	$\overline{\text{OE}} \text{ (CA2)}$	Output enable terminal When (active) low, the output drivers are enabled; when high, all output drivers are turned OFF (blanked). Also, a second control signal input for Current Adjust mode (See Timing Diagram)
14	SDO	Serial-data output to the following SDI of next driver IC
15	R-EXT	Input terminal used to connect an external resistor for setting up all output current
16	VDD	5V supply voltage terminal

Pin Description



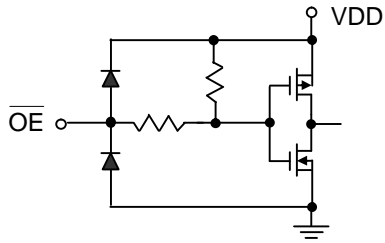
Block Diagram



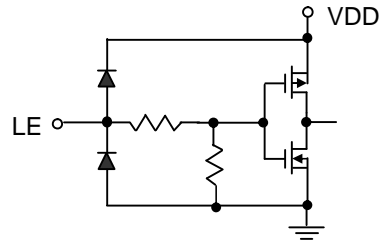
MBI5170 8-bit Constant Current LED Sink Driver with Gain Control

Equivalent Circuits of Inputs and Outputs

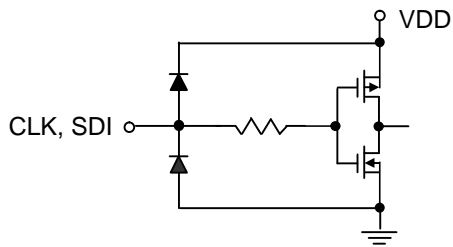
$\overline{\text{OE}}$ (CA2) terminal



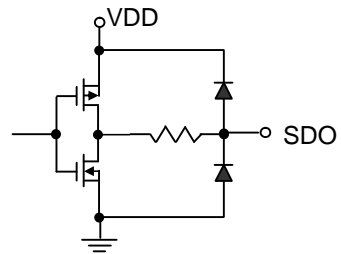
LE(CA1) terminal



CLK, SDI terminal



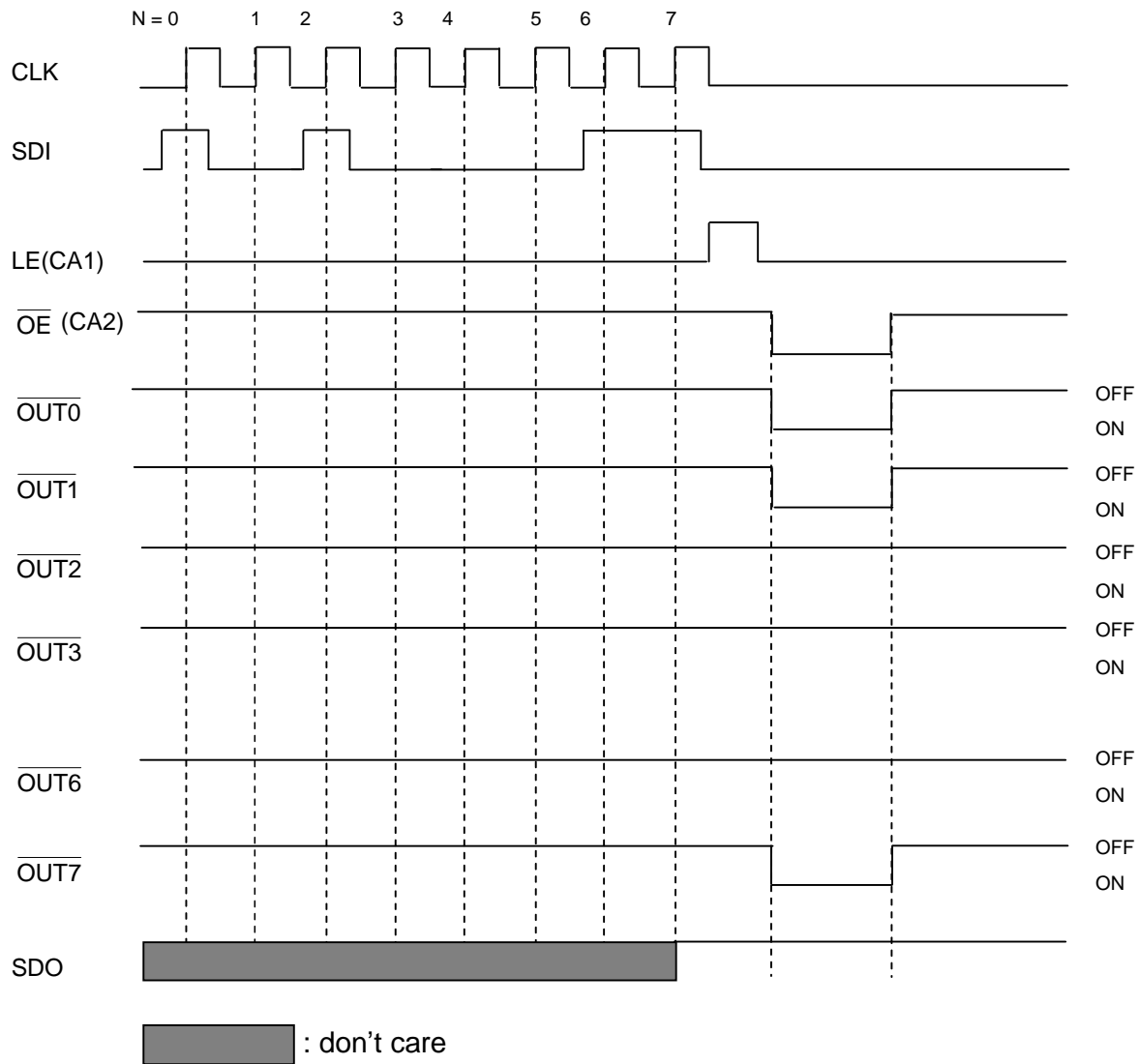
SDO terminal



MBI5170 8-bit Constant Current LED Sink Driver with Gain Control

Timing Diagram

Normal Mode

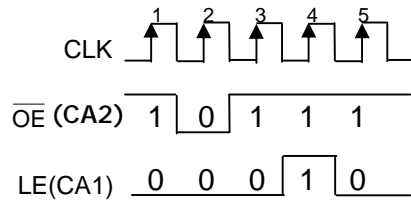


Truth Table (In Normal Mode)

CLK	LE	OE	SDI	OUT0 ... OUT5 ... OUT7	SDO
	H	L	D_n	$\overline{D_n} \dots \overline{D_{n-5}} \dots \overline{D_{n-7}}$	D_{n-7}
	L	L	D_{n+1}	No Change	D_{n-6}
	H	L	D_{n+2}	$\overline{D_{n+2}} \dots \overline{D_{n-3}} \dots \overline{D_{n-5}}$	D_{n-5}
	X	L	D_{n+3}	$\overline{D_{n+2}} \dots \overline{D_{n-3}} \dots \overline{D_{n-5}}$	D_{n-5}
	X	H	D_{n+3}	Off	D_{n-5}

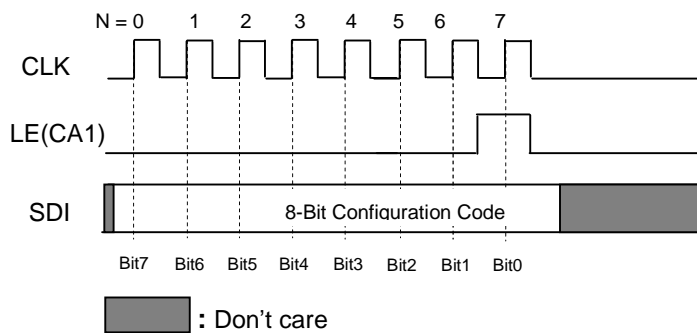
MBI5170 8-bit Constant Current LED Sink Driver with Gain Control

Entering Current Adjust Mode



The signal sequence makes MBI5170 enter a **Current Adjust** mode.

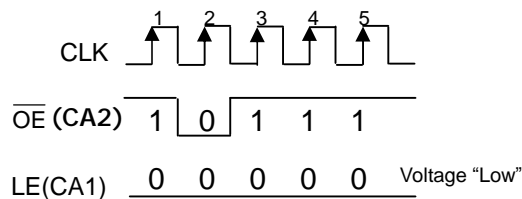
Writing Configuration Code



Note:

Pin $\overline{\text{OE}}$ (CA2) always enables the output port no matter MBI5170 enters a Current Adjust mode or not. When entering the Current Adjust mode, by sending the positive pulse of LE(CA1), the content of the Shift Register, a Current Adjust code, will be written to the 8-Bit Configuration Latch.

Resuming to Normal Mode



The signal sequence makes MBI5170 resume to a Normal mode.

Note:

If users want to know the whole process, that is how to enter a Current Adjust mode, write Current Adjust codes and resume to a Normal mode, please refer to the contents in **Application Information**.

MBI5170 8-bit Constant Current LED Sink Driver with Gain Control

Maximum Ratings

CHARACTERISTIC		SYMBOL	RATING	UNIT
Supply Voltage		V_{DD}	0~7.0	V
Input Voltage		V_{IN}	-0.4~ $V_{DD} + 0.4$	V
Output Current		I_{OUT}	+120	mA
Output Voltage		V_{DS}	-0.5~+20.0	V
Clock Frequency		F_{CLK}	25	MHz
GND Terminal Current		I_{GND}	960	mA
Power Dissipation (On PCB, $T_a=25^\circ\text{C}$)	CN – type	P_D	1.64	W
	CD – type		1.06	
	CP – type		0.88	
Thermal Resistance (On PCB, $T_a=25^\circ\text{C}$)	CN – type	$R_{th(j-a)}$	76	$^\circ\text{C/W}$
	CD – type		117	
	CP – type		141	
Operating Temperature		T_{opr}	-40~+85	$^\circ\text{C}$
Storage Temperature		T_{stg}	-55~+150	$^\circ\text{C}$

MBI5170 8-bit Constant Current LED Sink Driver with Gain Control

Recommended Operating Conditions

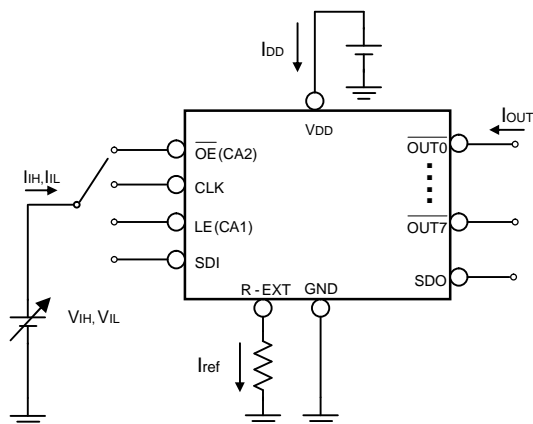
CHARACTERISTIC	SYMBOL	CONDITION	MIN.	TYP.	MAX.	UNIT
Supply Voltage	V_{DD}	-	4.5	5.0	5.5	V
Output Voltage	V_{DS}	$\overline{OUT0} \sim \overline{OUT7}$	-	-	17.0	V
Output Current	I_{OUT}	DC Test Circuit	5	-	120	mA
	I_{OH}	SDO	-	-	-1.0	mA
	I_{OL}	SDO	-	-	1.0	mA
Input Voltage	V_{IH}	CLK, \overline{OE} (CA2), LE(ED1) and SDI	$0.8V_{DD}$	-	$V_{DD}+0.3$	V
	V_{IL}	CLK, \overline{OE} (CA2), LE(CA1) and SDI	-0.3	-	$0.3V_{DD}$	V
LE(CA1) Pulse Width	$t_{w(L)}$	Normal Mode $V_{DD}=4.5\sim 5.5V$	40	-	-	ns
CLK Pulse Width	$t_{w(CLK)}$		20	-	-	ns
\overline{OE} (CA2) Pulse Width	$t_{w(OE)}$		400	-	-	ns
Setup Time for SDI	$t_{su(D)}$		5	-	-	ns
Hold Time for SDI	$t_{h(D)}$		10	-	-	ns
Setup Time for LE(CA1)	$t_{su(L)}$		15	-	-	ns
Hold Time for LE(CA1)	$t_{h(L)}$		15	-	-	ns
CLK Pulse Width	$t_{w(CLK)}$	Current Adjust Mode $V_{DD}=4.5\sim 5.5V$	20	-	-	ns
Setup Time for LE(CA1)	$t_{su(CA1)}$		5	-	-	ns
Hold Time for LE(CA1)	$t_{h(CA1)}$		10	-	-	ns
Setup Time for \overline{OE} (CA2)	$t_{su(CA2)}$		5	-	-	ns
Hold Time for \overline{OE} (CA2)	$t_{h(CA2)}$		10	-	-	ns
Clock Frequency	F_{CLK}	Cascade Operation	-	-	25.0	MHz
Power Dissipation	P_D	$T_a=85^\circ C$	-	-	0.85	W
			-	-	0.55	
			-	-	0.46	

MBI5170 8-bit Constant Current LED Sink Driver with Gain Control

Electrical Characteristics

CHARACTERISTIC		SYMBOL	CONDITION	MIN.	TYP.	MAX.	UNIT
Input Voltage	“H” level	V_{IH}	$T_a = -40\sim 85^\circ\text{C}$	$0.8V_{DD}$	-	V_{DD}	V
	“L” level	V_{IL}	$T_a = -40\sim 85^\circ\text{C}$	GND	-	$0.3V_{DD}$	V
Output Leakage Current		I_{OH}	$V_{OH}=17.0\text{V}$	-	-	0.5	μA
Output Voltage	SDO	V_{OL}	$I_{OL}=+1.0\text{mA}$	-	-	0.4	V
		V_{OH}	$I_{OH}=-1.0\text{mA}$	4.6	-	-	V
Output Current 1		I_{OUT1}	$V_{DS}=0.6\text{V}; R_{ext}=744\ \Omega; G = 1.984$	-	25.0	-	mA
Current Skew		dI_{OUT1}	$I_{OUT}=25\text{mA}$ $V_{DS}=0.6\text{V}$ $R_{ext}=744\ \Omega$	-	± 1	± 4	%
Output Current 2		I_{OUT2}	$V_{DS}=0.6\text{V}; R_{ext}=372\ \Omega; G = 1.984$	-	50.0	-	mA
Current Skew		dI_{OUT2}	$I_{OUT}=50\text{mA}$ $V_{DS}=0.6\text{V}$ $R_{ext}=372\ \Omega$	-	± 1	± 4	%
Output Current 3		I_{OUT3}	$V_{DS}=0.8\text{V}; R_{ext}=186\ \Omega; G = 1.984$	-	100	-	mA
Current Skew		dI_{OUT3}	$I_{OUT}=100\text{mA}$ $V_{DS}=0.8\text{V}$ $R_{ext}=186\ \Omega$	-	± 1	± 6	%
Output Current vs. Output Voltage Regulation		$\%/dV_{DS}$	V_{DS} within 1.0V and 3.0V	-	± 0.1	-	% / V
Output Current vs. Supply Voltage Regulation		$\%/dV_{DD}$	V_{DD} within 4.5V and 5.5V	-	± 1	-	% / V
Pull-up Resistor		$R_{IN(up)}$	\overline{OE} (CA2)	250	500	800	K Ω
Pull-down Resistor		$R_{IN(down)}$	LE(CA1)	250	500	800	K Ω
Supply Current	“OFF”	$I_{DD(off) 1}$	$R_{ext}=\text{Open}, \overline{OUT0} \sim \overline{OUT7} = \text{Off}$	-	9	-	mA
		$I_{DD(off) 2}$	$R_{ext}=744\ \Omega, \overline{OUT0} \sim \overline{OUT7} = \text{Off}$	-	10	-	
		$I_{DD(off) 3}$	$R_{ext}=372\ \Omega, \overline{OUT0} \sim \overline{OUT7} = \text{Off}$	-	11	-	
	“ON”	$I_{DD(on) 1}$	$R_{ext}=744\ \Omega, \overline{OUT0} \sim \overline{OUT7} = \text{On}$	-	10	-	
		$I_{DD(on) 2}$	$R_{ext}=372\ \Omega, \overline{OUT0} \sim \overline{OUT7} = \text{On}$	-	11	-	

Test Circuit for Electrical Characteristics



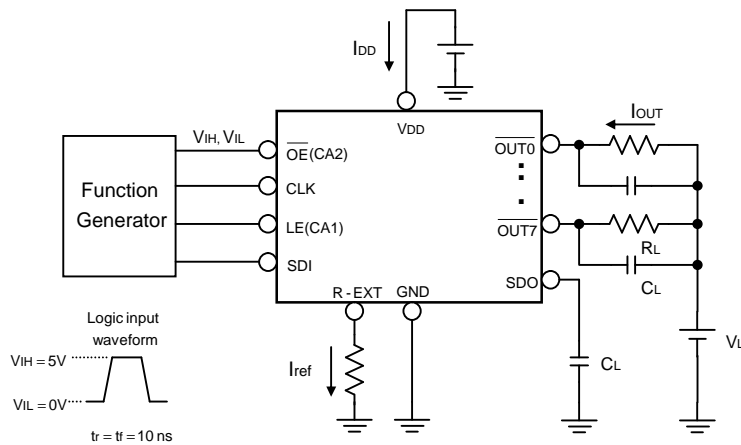
MBI5170 8-bit Constant Current LED Sink Driver with Gain Control

Switching Characteristics

CHARACTERISTIC		SYMBOL	CONDITION	MIN.	TYP.	MAX.	UNIT
Propagation Delay Time ("L" to "H")	CLK - $\overline{\text{OUT}}_n$	t_{pLH1}	$V_{DD}=5.0\text{ V}$ $V_{DS}=0.8\text{ V}$ $V_{IH}=V_{DD}$ $V_{IL}=\text{GND}$ $R_{ext}=366\ \Omega$ $V_L=4.0\text{ V}$ $R_L=52\ \Omega$ $C_L=10\text{ pF}$	-	50	100	ns
	LE(CA1) - $\overline{\text{OUT}}_n$	t_{pLH2}		-	50	100	ns
	$\overline{\text{OE}}$ (CA2) - $\overline{\text{OUT}}_n$	t_{pLH3}		-	20	100	ns
	CLK - SDO	t_{pLH}		15	20	-	ns
Propagation Delay Time ("H" to "L")	CLK - $\overline{\text{OUT}}_n$	t_{pHL1}		-	100	150	ns
	LE(CA1) - $\overline{\text{OUT}}_n$	t_{pHL2}		-	100	150	ns
	$\overline{\text{OE}}$ (CA2) - $\overline{\text{OUT}}_n$	t_{pHL3}		-	50	150	ns
	CLK - SDO	t_{pHL}		15	20	-	ns
Pulse Width	CLK	$t_{w(\text{CLK})}$		20	-	-	ns
	LE(CA1)	$t_{w(L)}$		20	-	-	ns
	$\overline{\text{OE}}$ (CA2)	$t_{w(\text{OE})}$		400	-	-	ns
Hold Time for LE(CA1)		$t_{h(L)}$		5	-	-	ns
Setup Time for LE(CA1)		$t_{su(L)}$		5	-	-	ns
Maximum CLK Rise Time		t_r^{**}		-	-	500	ns
Maximum CLK Fall Time		t_f^{**}		-	-	500	ns
Output Rise Time of Iout		t_{or}		-	70	200	ns
Output Fall Time of Iout		t_{of}	-	40	120	ns	

**If the devices are connected in cascade and t_r or t_f is large, it may be critical to achieve the timing required for data transfer between two cascaded devices.

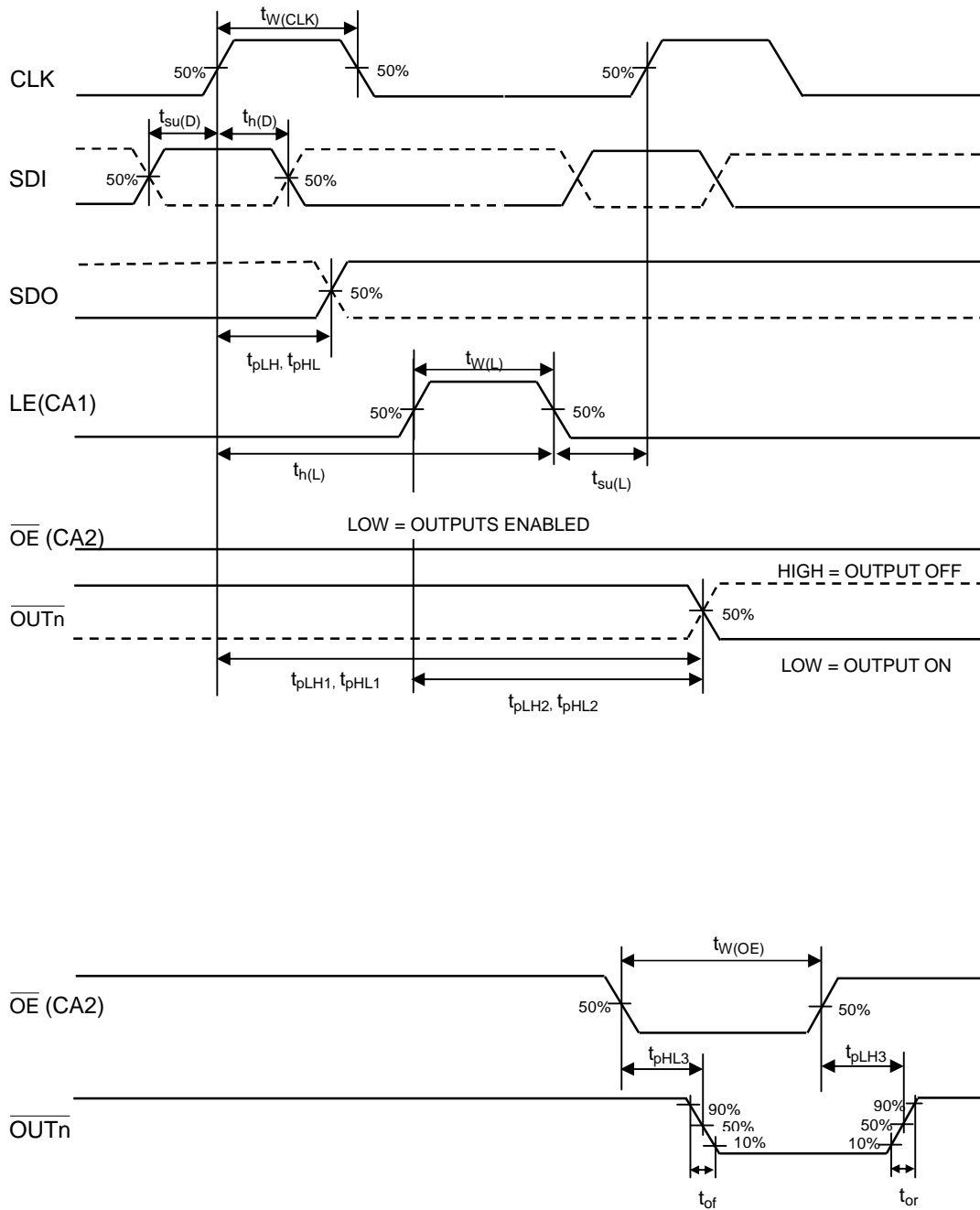
Test Circuit for Switching Characteristics



MBI5170 8-bit Constant Current LED Sink Driver with Gain Control

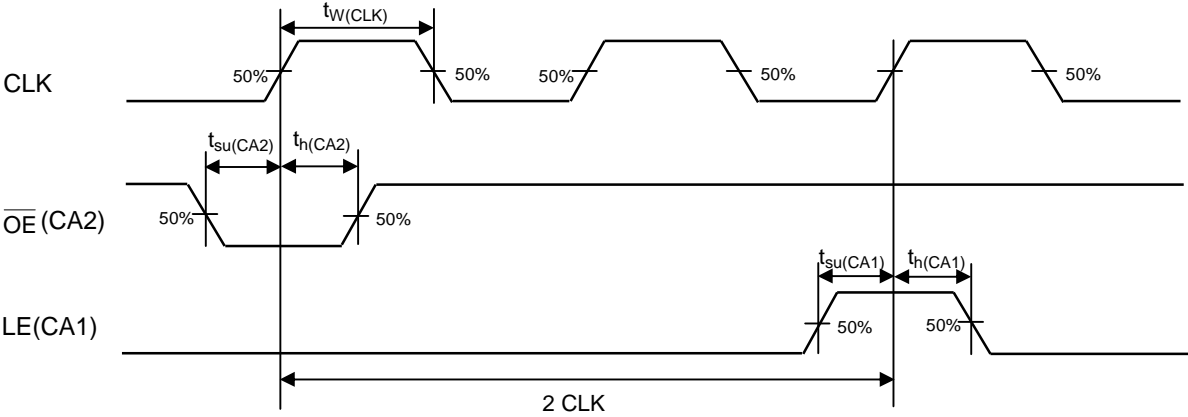
Timing Waveform

Normal Mode



MBI5170 8-bit Constant Current LED Sink Driver with Gain Control

Entering Current Adjust Mode



Application Information

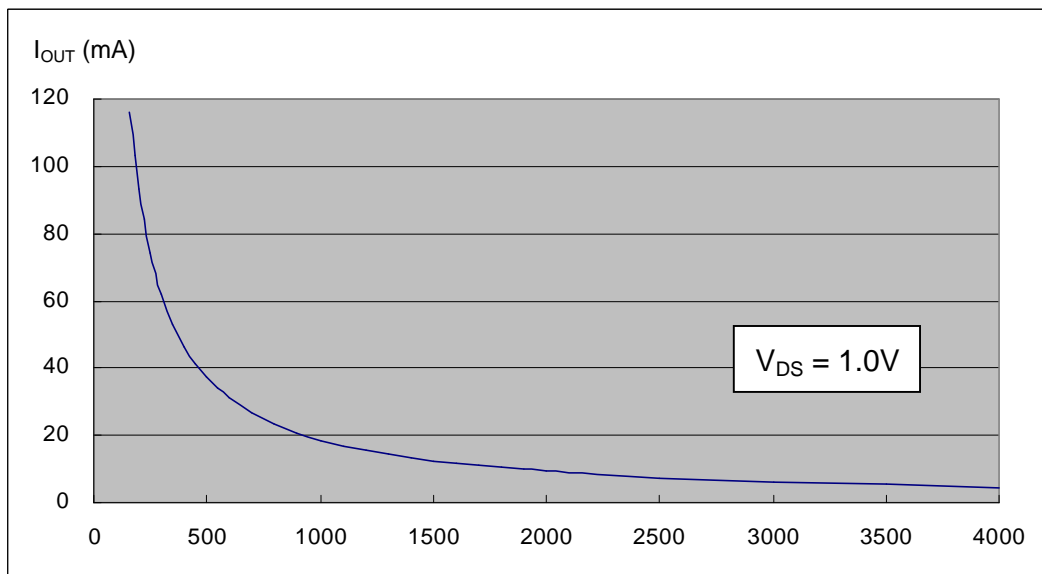
Constant Current

To design LED displays, MBI5170 provides nearly no variations in current from channel to channel and from IC to IC. This can be achieved by:

- 1) While $I_{OUT} \leq 60\text{mA}$, the maximum current variation between channels is less than $\pm 4\%$, and that between ICs is less than $\pm 6\%$.
- 2) In addition, the current characteristic of output stage is flat and users can refer to the figure as shown below. The output current can be kept constant regardless of the variations of LED forward voltages (V_f). This performs as a perfection of load regulation.

Adjusting Output Current

The output current of each channel (I_{OUT}) is set by an external resistor, R_{ext} . The relationship between I_{out} and R_{ext} is shown in the following figure.



Resistance of the external resistor, R_{ext} , in Ω

Also, the output current in milliamps can be calculated from the equation:

I_{OUT} is $(620 / R_{ext}) \times 15 \times G$, approximately,

where R_{ext} , in Ω , is the resistance of the external resistor connected to R-EXT terminal.

Conceptually, G is the digital current gain.

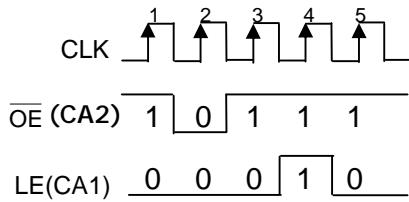
After a power-on status, the default value of G is 1.984.

Based on $I_{OUT} = (620 / R_{ext}) \times 15 \times G$, thus, I_{OUT} is $(620 / R_{ext}) \times 30$

The magnitude of current is around 50mA at 372 Ω and 25mA at 744 Ω .

MBI5170 8-bit Constant Current LED Sink Driver with Gain Control

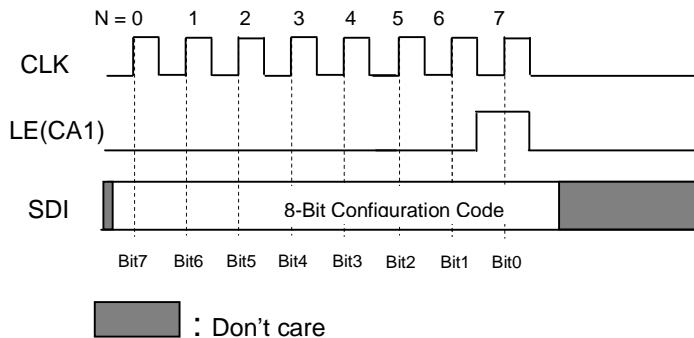
Entering Current Adjust Mode



Each time the system controller sends the sequence patterns shown above, MBI5170 can enter the Current Adjust mode. During this phase, the system controller can still send data through SDI pin.

The state of \overline{OE} (CA2) and LE (CA1) is sampled by the rising edge of each CLK. We use “0” and “1” to represent the state of “Voltage Low” and “Voltage High” respectively. The states of the successive five \overline{OE} (CA2) and LE (CA1) are (1, 0), (0, 0), (1, 0), (1, 1) and (1, 0).

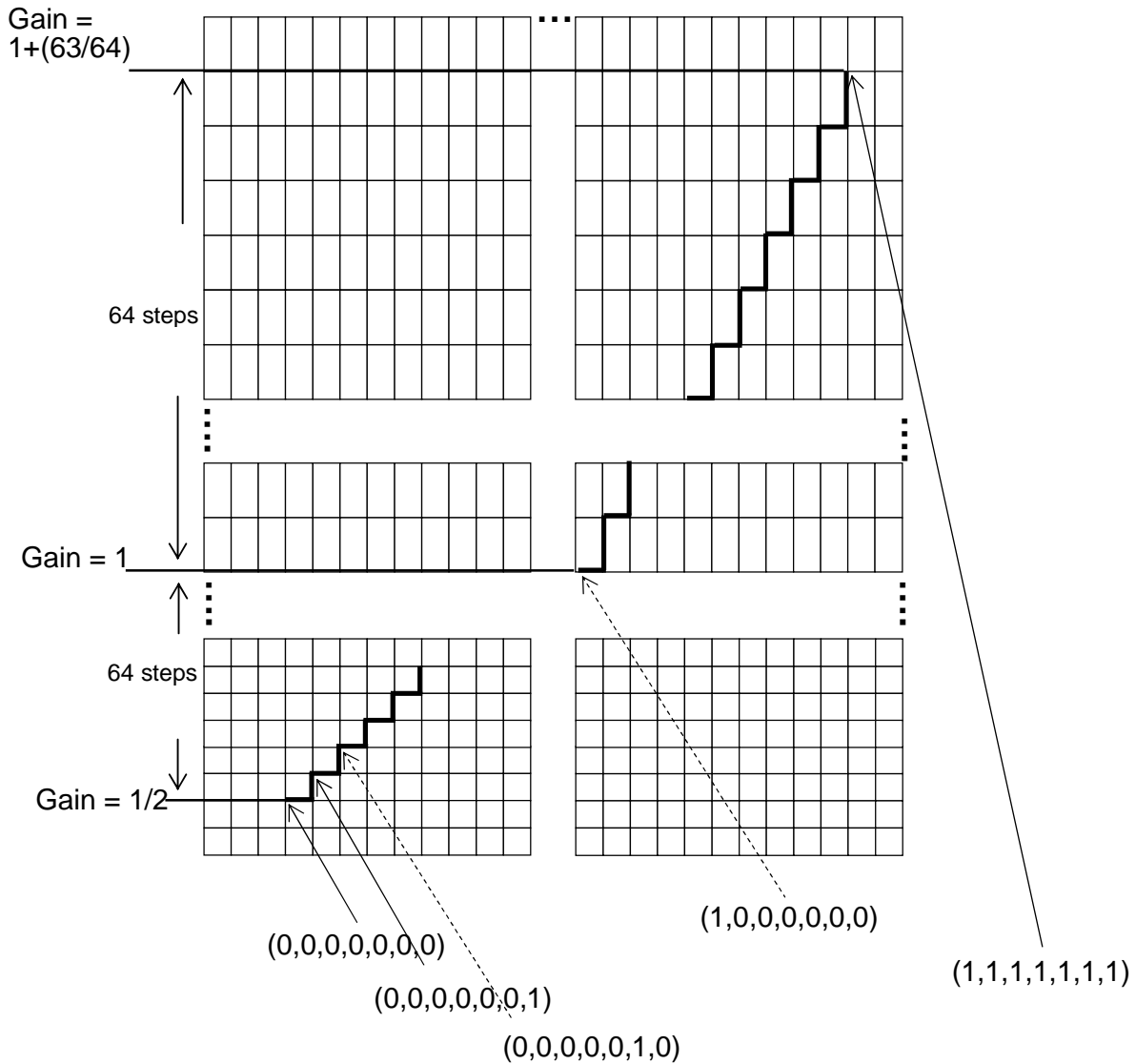
Writing Configuration Code



After entering the Current Adjust mode, the system controller sends a 7-bit Current Adjust code to 8-bit Shift Register through MBI5170 SDI pin. Then sending LE (CA1) will transfer the contents in the Shift Register to a 8-bit Configuration Latch rather than the 8-bit Output Latch in a Normal mode. The 7-bit Current Adjust code in the Configuration Latch will directly affect the I_O Regulator by a gain, G. The output current resulted by the gain values will be then defined as:

$$(620 / R_{ext}) \times 15 \times G$$

Current Gain



8-Bit Configuration Code

	Bit 0	Bit 1	Bit 2	Bit 3	Bit 4	Bit 5	Bit 6	Bit 7
Meaning	-	HC	CC0	CC1	CC2	CC3	CC4	CC5
Default Value	-	1	1	1	1	1	1	1

← 7-bit Current Adjust Code →

Binary Representation of the Current Adjust Code = { HC, CC [0:5] }

Gain, $G = (1 + HC) \times (1 + D/64)/2$

where HC is 1 or 0 (HC=0 : Low current band; HC=1 : High current band) and

$D = CC0 \times 2^5 + CC1 \times 2^4 + CC2 \times 2^3 + CC3 \times 2^2 + CC4 \times 2^1 + CC5 \times 2^0$;

So, the Current Adjust Code is a floating number with one bit exponent HC and 6-bit mantissa.

MBI5170 8-bit Constant Current LED Sink Driver with Gain Control

For example,

when the Current Adjust Code is (1,1,1,1,1,1,1,1)

$$\text{Gain, } G = (1+1) \times (1 + 63/64)/2 = 1.984$$

when the Current Adjust Code is (1,0,0,0,0,0,0,0)

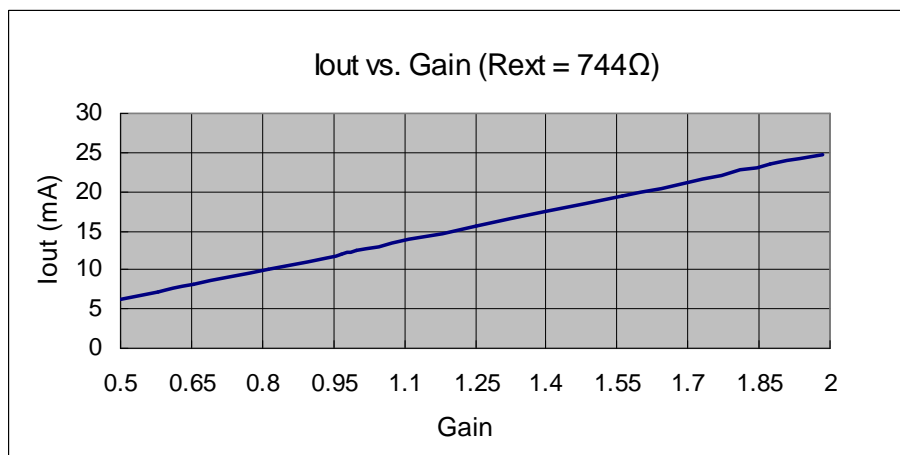
$$\text{Gain, } G = (1+1) \times (1 + 0/64)/2 = 1$$

when the Current Adjust Code is (0,0,0,0,0,0,0,0)

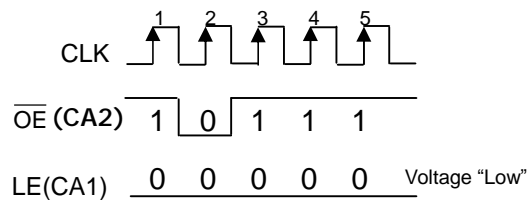
$$\text{Gain, } G = (1+0) \times (1 + 0/64)/2 = 0.5$$

After power on, the default value of Current Adjust Code is (1,1,1,1,1,1,1,1). Thus, G is 1.984.

Typically, the output current resulted by the digital current gain, G, is shown as the figure below.



Resuming to Normal Mode



Each time the system controller sends the sequence patterns shown above, MBI5170 can resume to a Normal mode. During this phase, the system controller can still send data through SDI pin.

The state of $\overline{\text{OE}}$ (CA2) and LE(CA1) is sampled by the rising edge of each CLK. We use "0" and "1" to represent the state of "Voltage Low" and "Voltage High" respectively. The states of the successive five $\overline{\text{OE}}$ (CA2) and LE(CA1) are (1, 0), (0, 0), (1, 0), (1, 0) and (1, 0).

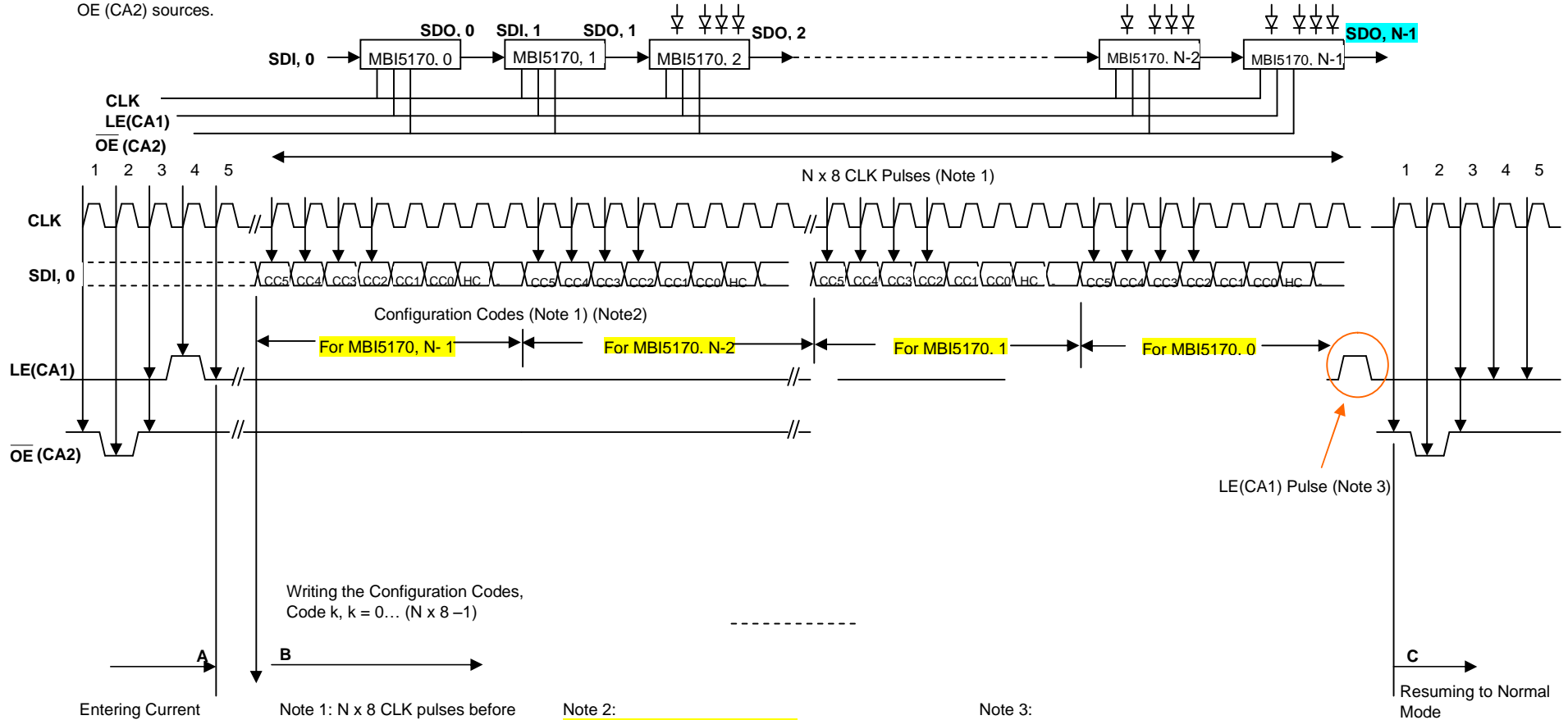
After resuming to the Normal mode, the Shift Register is again merely used for conveying the image data sent from the system controller. The gain will always be effective until power off or the Configuration Latch is re-written.

MBI5170

8-bit Constant Current LED Sink Driver with Gain Control

Timing Chart for Current Adjust Mode (An Example)

N x MBI5170 are connected in cascade, ie, SDO, k --> SDI, k+1.
 And, all MBI5170 ICs are connected to the same CLK, LE(CA1) and OE (CA2) sources.



Entering Current Adjust Mode

Note 1: N x 8 CLK pulses before the next LE(CA1) shift the configuration codes. N 8-bit Configuration Codes are required, although only 7 bits are significant.

Note 2:
 Gain $G = (1 + HC) \times (1 + D/64)/2$
 $D = CC0 \times 2^5 + CC1 \times 2^4 + CC2 \times 2^3 + CC3 \times 2^2 + CC4 \times 2^1 + CC5 \times 2^0$.

Note 3:
 The LE(CA1) pulse writes the Configuration Codes to each MBI5170.

MBI5170 8-bit Constant Current LED Sink Driver with Gain Control

Package Power Dissipation (P_D)

The maximum allowable package power dissipation is determined as $P_{D(max)} = (T_j - T_a) / R_{th(j-a)}$. When 8 output channels are turned on simultaneously, the actual package power dissipation is $P_{D(act)} = (I_{DD} \times V_{DD}) + (I_{OUT} \times \text{Duty} \times V_{DS} \times 8)$. Therefore, to keep $P_{D(act)} \leq P_{D(max)}$, the allowable maximum output current as a function of duty cycle is:

$$I_{OUT} = \{ [(T_j - T_a) / R_{th(j-a)}] - (I_{DD} \times V_{DD}) \} / V_{DS} / \text{Duty} / 8,$$

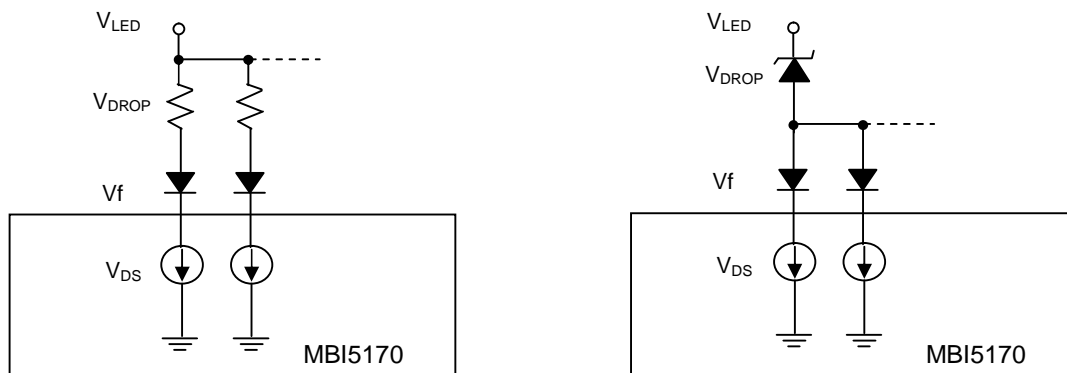
where $T_j = 150^\circ\text{C}$.

Load Supply Voltage (V_{LED})

MBI5168 are designed to operate with V_{DS} ranging from 0.4V to 1.0V considering the package power dissipating limits. V_{DS} may be higher enough to make $P_{D(act)} > P_{D(max)}$ when $V_{LED} = 5V$ and $V_{DS} = V_{LED} - V_f$. In this case, it is recommended to use the lowest possible supply voltage or to set an external voltage reducer, V_{DROP} .

A voltage reducer lets $V_{DS} = (V_{LED} - V_f) - V_{DROP}$.

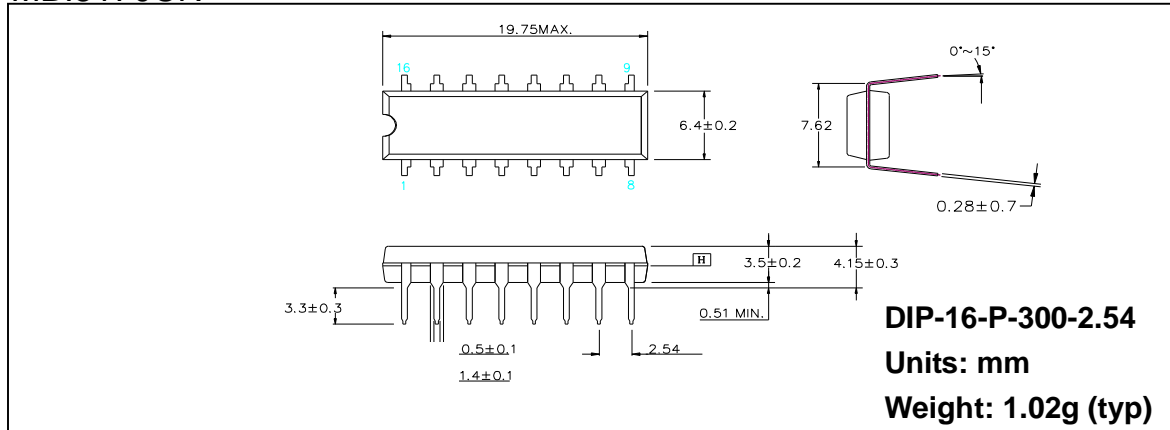
Resistors or Zener diode can be used in the applications as shown in the following figures.



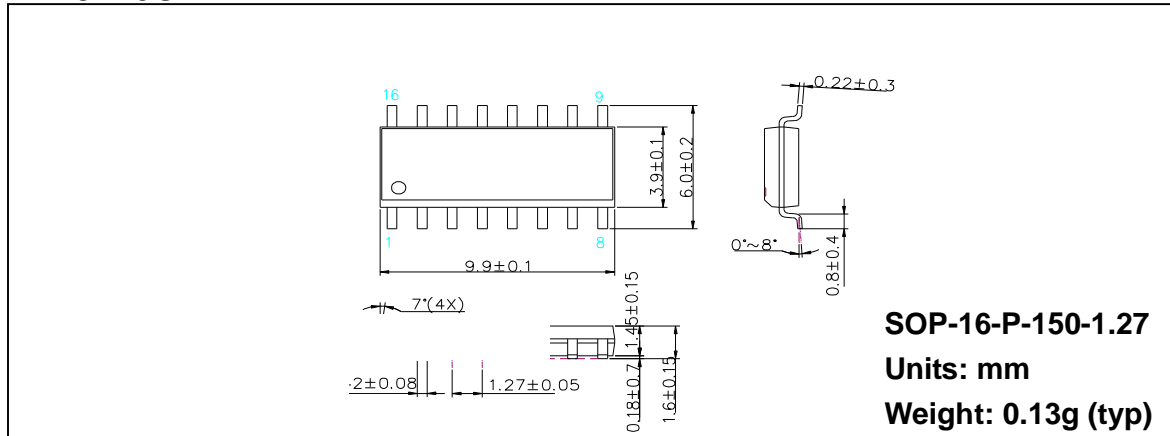
MBI5170 8-bit Constant Current LED Sink Driver with Gain Control

Outline Drawings

MBI5170CN



MBI5170CD



MBI5170CP

