



Micropower, Single-Supply, Rail-to-Rail, Precision Instrumentation Amplifiers

General Description

The MAX4194 is a variable-gain precision instrumentation amplifier that combines Rail-to-Rail® single-supply operation, outstanding precision specifications, and a high gain bandwidth. This amplifier is also offered in three fixed-gain versions: the MAX4195 ($G = +1V/V$), the MAX4196 ($G = +10V/V$), and the MAX4197 ($G = +100V/V$). The fixed-gain instrumentation amplifiers feature a shutdown function that reduces the quiescent current to $8\mu A$. A traditional three operational amplifier configuration is used to achieve maximum DC precision.

The MAX4194–MAX4197 have rail-to-rail outputs and inputs that can swing to within 200mV of the negative rail and to within 1.1V of the positive rail. All parts draw only $93\mu A$ and operate from a single +2.7V to +7.5V supply or from dual $\pm 1.35V$ to $\pm 3.75V$ supplies. These amplifiers are offered in 8-pin SO packages and are specified for the extended temperature range ($-40^{\circ}C$ to $+85^{\circ}C$).

See the MAX4198/MAX4199 data sheet for single-supply, precision differential amplifiers.

Applications

Medical Equipment
 Thermocouple Amplifier
 4–20mA Loop Transmitters
 Data-Acquisition Systems
 Battery-Powered/Portable Equipment
 Transducer Interface
 Bridge Amplifier

Features

- ◆ **+2.7V Single-Supply Operation**
- ◆ **Low Power Consumption**
93 μA Supply Current
8 μA Shutdown Current (MAX4195/96/97)
- ◆ **High Common-Mode Rejection: 115dB ($G = +10V/V$)**
- ◆ **Low 50 μV Input Offset Voltage ($G \geq +100V/V$)**
- ◆ **Low $\pm 0.01\%$ Gain Error ($G = +1V/V$)**
- ◆ **250kHz -3dB Bandwidth ($G = +1V/V$, MAX4194)**
- ◆ **Rail-to-Rail Outputs**

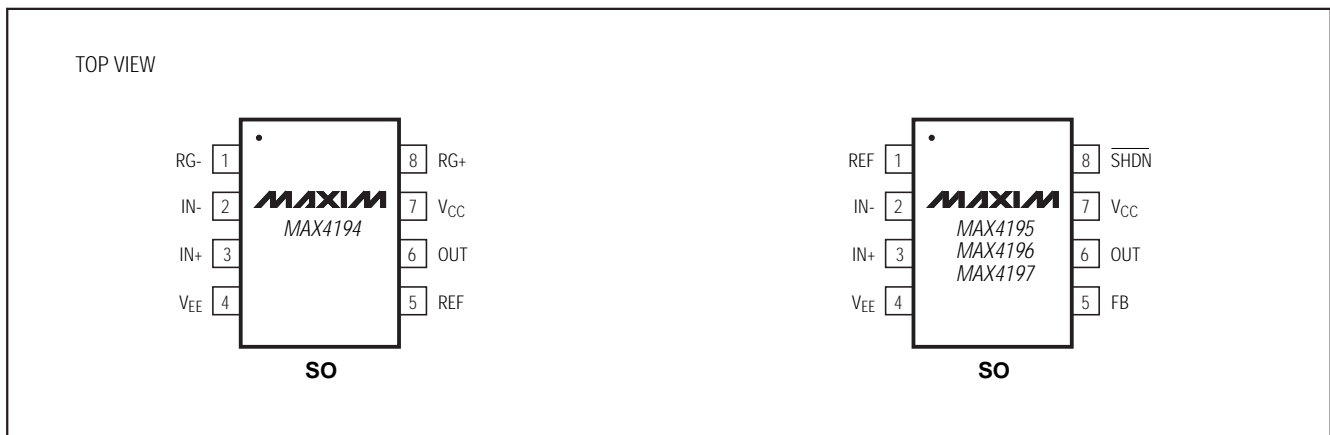
Ordering Information

PART	TEMP. RANGE	PIN-PACKAGE
MAX4194ESA	$-40^{\circ}C$ to $+85^{\circ}C$	8 SO
MAX4195ESA	$-40^{\circ}C$ to $+85^{\circ}C$	8 SO
MAX4196ESA	$-40^{\circ}C$ to $+85^{\circ}C$	8 SO
MAX4197ESA	$-40^{\circ}C$ to $+85^{\circ}C$	8 SO

Selector Guide

PART	SHUTDOWN	GAIN (V/V)	CMRR (dB)
MAX4194	No	Variable	95 ($G = +1V/V$)
MAX4195	Yes	+1	95
MAX4196	Yes	+10	115
MAX4197	Yes	+100	115

Pin Configurations



Rail-to-Rail is a registered trademark of Nippon Motorola, Ltd.



Micropower, Single-Supply, Rail-to-Rail, Precision Instrumentation Amplifiers

ABSOLUTE MAXIMUM RATINGS

Supply Voltage (V_{CC} to V_{EE}).....	+8V	Operating Temperature Range	-40°C to +85°C
All Other Pins	($V_{CC} + 0.3V$) to ($V_{EE} - 0.3V$)	Junction Temperature	+150°C
Current into Any Pin	±30mA	Storage Temperature Range	-65°C to +150°C
Output Short-Circuit Duration (to V_{CC} or V_{EE}).....	Continuous	Lead Temperature (soldering, 10sec)	+300°C
Continuous Power Dissipation ($T_A = +70^\circ\text{C}$) SO (derate 5.9mW/°C above +70°C).....	471mW		

Stresses beyond those listed under "Absolute Maximum Ratings" may cause permanent damage to the device. These are stress ratings only, and functional operation of the device at these or any other conditions beyond those indicated in the operational sections of the specifications is not implied. Exposure to absolute maximum rating conditions for extended periods may affect device reliability.

ELECTRICAL CHARACTERISTICS

($V_{CC} = +5V$, $V_{EE} = 0$, $R_L = 25k\Omega$ tied to $V_{CC}/2$, $V_{REF} = V_{CC}/2$, $T_A = T_{MIN}$ to T_{MAX} , unless otherwise noted. Typical values are at $T_A = +25^\circ\text{C}$.)

PARAMETER	SYMBOL	CONDITIONS		MIN	TYP	MAX	UNITS
Supply Voltage Range	V_{CC}	Inferred by PSR test	Single supply	2.7		7.5	V
			Dual supplies	±1.35		±3.75	
Quiescent Current	I_{CC}	$V_{IN+} = V_{IN-} = V_{CC}/2$, $V_{DIFF} = 0$			93	110	µA
Shutdown Current	I_{SHDN}	$I_{SHDN} = V_{IL}$, MAX4195/96/97 only			8	12	µA
Input Offset Voltage	V_{OS}	$G = +1V/V$, $V_{CM} = V_{CC}/2$, $T_A = +25^\circ\text{C}$			±100	±450	µV
		$G = +10V/V$, $V_{CM} = V_{CC}/2$, $T_A = +25^\circ\text{C}$			±75	±225	
		$G = +100V/V$, $V_{CM} = V_{CC}/2$, $T_A = +25^\circ\text{C}$			±50	±225	
		$G = +1000V/V$, $V_{CM} = V_{CC}/2$, $T_A = +25^\circ\text{C}$			±50		
		$G = +1V/V$, $V_{CM} = V_{CC}/2$, $T_A = T_{MIN}$ to T_{MAX}			±100	±690	
		$G = +10V/V$, $V_{CM} = V_{CC}/2$, $T_A = T_{MIN}$ to T_{MAX}			±75	±345	
		$G = +100V/V$, $V_{CM} = V_{CC}/2$, $T_A = T_{MIN}$ to			±50	±345	
Input Offset Voltage Drift (Note 1)	TC_{VOS}	$G = +1V/V$			±1.0	±4.0	µV/°C
		$G \geq +10V/V$			±0.5	±2.0	
Input Resistance	R_{IN}	$V_{CM} = V_{CC}/2$	Differential		1000		MΩ
			Common mode		1000		
Input Capacitance	C_{IN}	$V_{CM} = V_{CC}/2$	Differential		1		pF
			Common mode		4		
Input Voltage Range	V_{IN}	Inferred from CMR test		$V_{EE} + 0.2$		$V_{CC} - 1.1$	V
DC Common-Mode Rejection	CMR_{DC}	$V_{CM} = V_{EE} + 0.2V$ to $V_{CC} - 1.1V$, $T_A = +25^\circ\text{C}$, $\Delta R_S = 1k\Omega$	$G = +1V/V$	78	95	dB	
			$G = +10V/V$	93	115		
			$G = +100V/V$	95	115		
			$G = +1000V/V$		115		
		$V_{CM} = V_{EE} + 0.2V$ to $V_{CC} - 1.1V$, $T_A = T_{MIN}$ to T_{MAX} , $\Delta R_S = 1k\Omega$	$G = +1V/V$	73	95		
			$G = +10V/V$	88	115		
			$G = +100V/V$	90	115		
			$G = +1000V/V$		115		
AC Common-Mode Rejection	CMR_{AC}	$V_{CM} = V_{EE} + 0.2V$ to $V_{CC} - 1.1V$, $f = 120\text{Hz}$	$G = +1V/V$		85	dB	
			$G = +10V/V$		101		
			$G = +100V/V$		106		

Micropower, Single-Supply, Rail-to-Rail, Precision Instrumentation Amplifiers

MAX4194-MAX4197

ELECTRICAL CHARACTERISTICS (continued)

($V_{CC} = +5V$, $V_{EE} = 0$, $R_L = 25k\Omega$ tied to $V_{CC}/2$, $V_{REF} = V_{CC}/2$, $T_A = T_{MIN}$ to T_{MAX} , unless otherwise noted. Typical values are at $T_A = +25^\circ C$.)

PARAMETER	SYMBOL	CONDITIONS		MIN	TYP	MAX	UNITS
Power-Supply Rejection	PSR	$+2.7V \leq V_{CC} \leq +7.5V$; $V_{CM} = +1.5V$; $V_{OUT} = +1.5V$; $V_{REF} = +1.5V$; $R_L = 25k\Omega$ to $+1.5V$; $G = +1V/V$, $+10V/V$, $+100V/V$		90	120		dB
Input Bias Current	I_B	$V_{CM} = V_{CC}/2$			6	20	nA
Input Bias Current Drift	TC_{IB}	$V_{CM} = V_{CC}/2$			15		pA/ $^\circ C$
Input Offset Current	I_{OS}	$V_{CM} = V_{CC}/2$			± 1.0	± 3.0	nA
Input Offset Current Drift	TC_{IOS}	$V_{CM} = V_{CC}/2$			15		pA/ $^\circ C$
Input Noise Voltage	e_n	$G = +1V/V$	$f = 10Hz$		85		nV \sqrt{Hz}
			$f = 100Hz$		75		
			$f = 10KHz$		72		
			$f = 0.1Hz$ to $10Hz$		1.4		
		$G = +10V/V$	$f = 10Hz$		35		nV \sqrt{Hz}
			$f = 100Hz$		32		
			$f = 10KHz$		31		
			$f = 0.1Hz$ to $10Hz$		0.7		
		$G = +100V/V$	$f = 10Hz$		32		nV \sqrt{Hz}
			$f = 100Hz$		31		
			$f = 10KHz$		8.7		
			$f = 0.1Hz$ to $10Hz$		0.6		
Input Noise Current	i_n	$f = 10Hz$			2.4		pA \sqrt{Hz}
		$f = 100Hz$			0.76		
		$f = 10kHz$			0.1		
		$f = 0.1Hz$ to $10Hz$			16		
Output Voltage Swing	V_{OH} , V_{OL}	$R_L = 25k\Omega$ to $V_{CC}/2$	$V_{CC} - V_{OH}$		30	100	mV
			V_{OL}		30	100	
		$R_L = 5k\Omega$ to $V_{CC}/2$	$V_{CC} - V_{OH}$		100	200	
			V_{OL}		100	200	
Short-Circuit Current (Note 2)	I_{SC}				± 4.5		mA
Gain Equation		MAX4194 only			$1 + (50k\Omega/R_G)$		
Gain Error		$T_A = +25^\circ C$, $V_{CM} = V_{CC}/2$, $R_L = 25k\Omega$, $V_{EE} + 0.1V \leq V_{OUT} \leq V_{CC} - 0.1V$	$G = +1V/V$		± 0.01	± 0.1	%
			$G = +10V/V$		± 0.03	± 0.3	
			$G = +100V/V$		± 0.05	± 0.5	
			$G = +1000V/V$, MAX4194		± 0.5		
		$T_A = +25^\circ C$, $V_{CM} = V_{CC}/2$, $R_L = 5k\Omega$, $V_{EE} + 0.2V \leq V_{OUT} \leq V_{CC} - 0.2V$	$G = +1V/V$		± 0.01	± 0.1	
			$G = +10V/V$		± 0.03	± 0.3	
			$G = +100V/V$		± 0.05	± 0.5	
			$G = +1000V/V$, MAX4194		± 0.5		

Micropower, Single-Supply, Rail-to-Rail, Precision Instrumentation Amplifiers

ELECTRICAL CHARACTERISTICS (continued)

($V_{CC} = +5V$, $V_{EE} = 0$, $R_L = 25k\Omega$ tied to $V_{CC}/2$, $V_{REF} = V_{CC}/2$, $T_A = T_{MIN}$ to T_{MAX} , unless otherwise noted. Typical values are at $T_A = +25^\circ C$.)

PARAMETER	SYMBOL	CONDITIONS		MIN	TYP	MAX	UNITS
Gain Temperature Coefficient (Note 1)		MAX4194/MAX4195, $G = +1V/V$			± 1	± 8	ppm/ $^\circ C$
		MAX4196/MAX4197			± 1	± 15	
50k Ω Resistance Temperature Coefficient (Note 3)	TC50k Ω	MAX4194			± 16		ppm/ $^\circ C$
Nonlinearity		$V_{EE} + 0.1V \leq V_{OUT} \leq V_{CC} - 0.1V$, $V_{CM} = V_{CC}/2$, $G = +1V/V, +10V/V, +100V/V, +1000V/V$			± 0.001		%
Capacitive Load Stability	C_L				300		pF
-3dB Bandwidth	BW-3dB	$V_{OUT} \leq 0.1V_{p-p}$, $V_{CM} = V_{CC}/2$	$G = +1V/V$	MAX4194	250		kHz
				MAX4195	220		
			$G = +10V/V$	MAX4194	17		
				MAX4196	34		
			$G = +100V/V$	MAX4194	1.5		
MAX4197	3.1						
$G = +1000V/V$	MAX4194	0.147					
	SR	$V_{OUT} = 2V_{p-p}$, $G = +1V/V$			0.06		V/ μs
Settling Time	t_s	0.1%, $V_{OUT} = 2V_{p-p}$	$G = +1V/V$	0.05		ms	
			$G = +10V/V$	0.04			
			$G = +100V/V$	5			
			$G = +1000V/V$	7			
Total Harmonic Distortion	THD	$V_{OUT} = 2V_{p-p}$, $G = +1V/V$, $f = 1kHz$			0.001		%
Input Logic Voltage High	V_{IH}			$V_{CC} - 1.5$			V
Input Logic Voltage Low	V_{IL}					$V_{CC} - 2.5$	V
\overline{SHDN} Input Current		$V_{EE} < V_{\overline{SHDN}} < V_{CC}$	MAX4195/MAX4196/ MAX4197 only			± 0.1	μA
Time to Shutdown	$t_{\overline{SHDN}}$	$G = +1V/V$, 0.1%, $V_{OUT} = +3V$	MAX4195/MAX4196/ MAX4197 only		0.5		ms
Enable Time From Shutdown	t_{ENABLE}	$G = +1V/V$, 0.1%, $V_{OUT} = +3.5V$	MAX4195/MAX4196/ MAX4197 only		0.5		ms
Power-Up Delay		$G = +1V/V$, 0.1%, $V_{OUT} = +3.5V$			1		ms
On/Off Settling Time	$t_{ON/OFF}$	$V_{\overline{SHDN}} = V_{CC} - 2.5V$ to $V_{CC} - 1.5V$, $G = +100V/V$, 0.1%, $V_{OUT} = +3.5V$			0.5		ms

Note 1: Guaranteed by design.

Note 2: Maximum output current (sinking/sourcing) in which the gain changes by less than 0.1%.

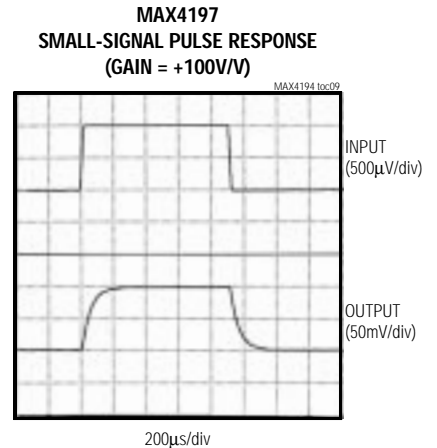
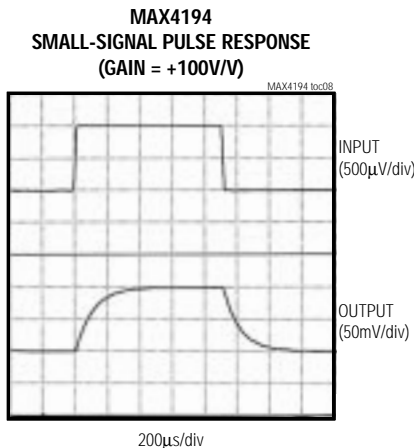
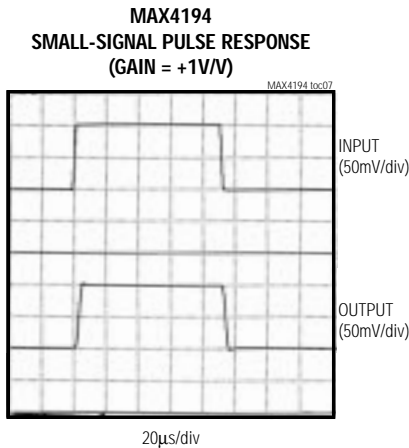
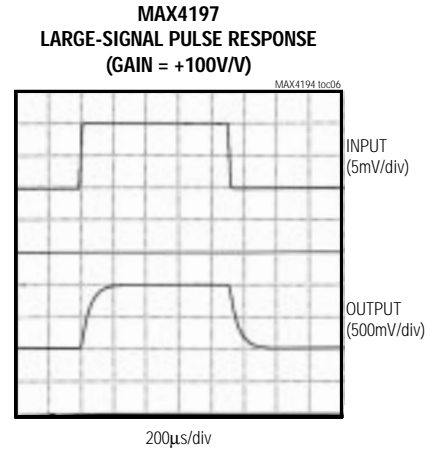
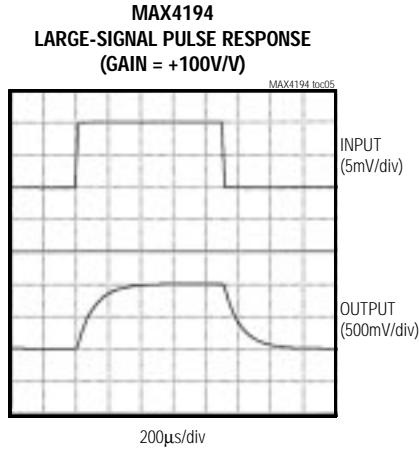
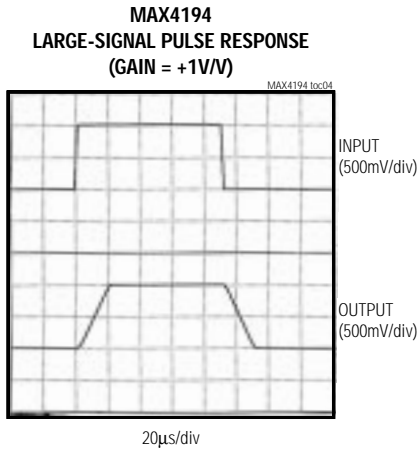
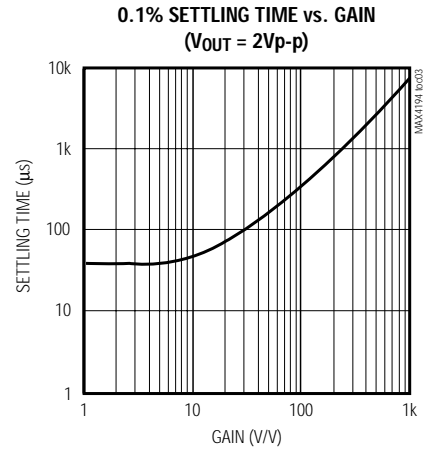
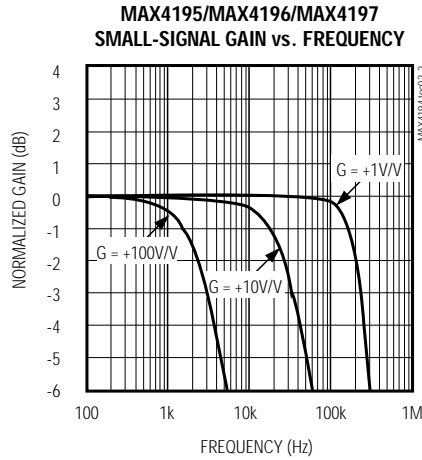
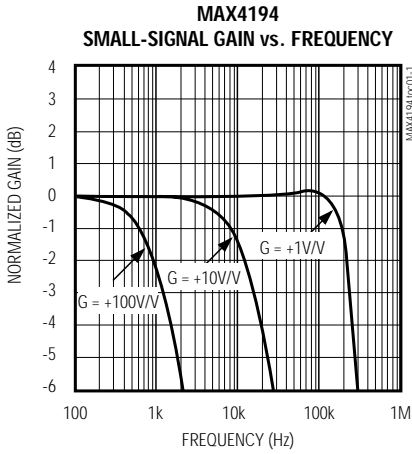
Note 3: This specification represents the typical temperature coefficient of an on-chip thin film resistor. In practice, the temperature coefficient of the gain for the MAX4194 will be dominated by the temperature coefficient of the external gain-setting resistor.

Micropower, Single-Supply, Rail-to-Rail, Precision Instrumentation Amplifiers

Typical Operating Characteristics

($V_{CC} = +5V$, $V_{EE} = 0$, $R_L = 25k\Omega$ tied to $V_{CC}/2$, $T_A = +25^\circ C$, unless otherwise noted.)

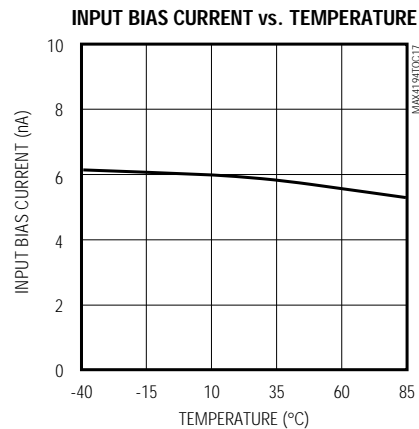
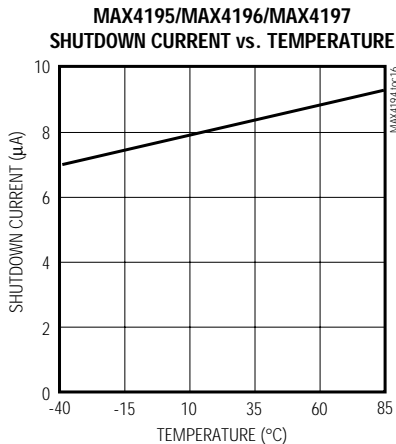
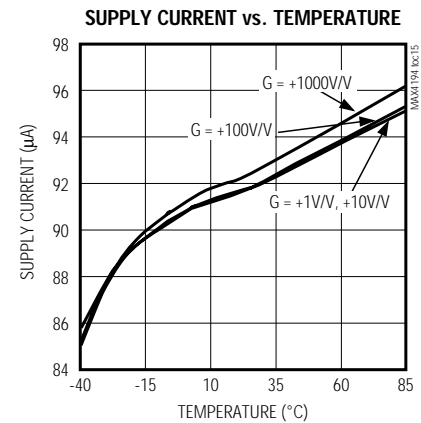
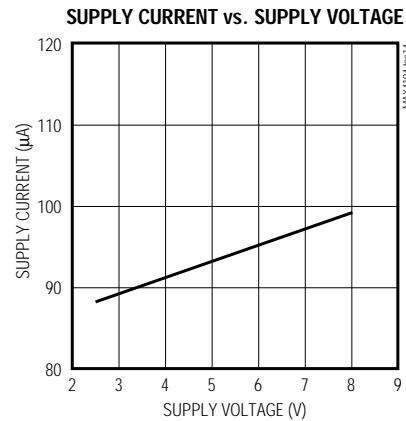
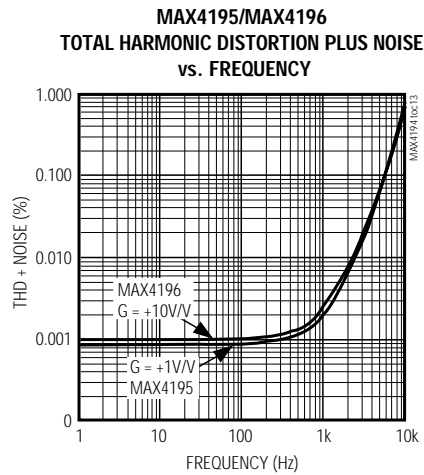
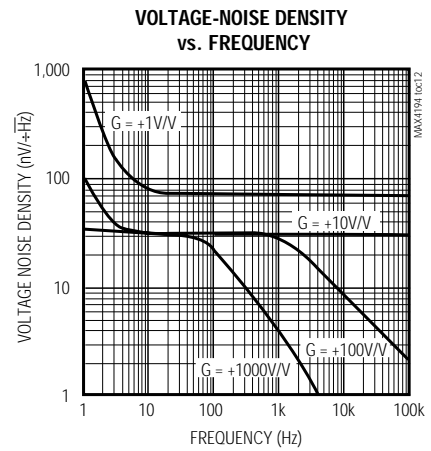
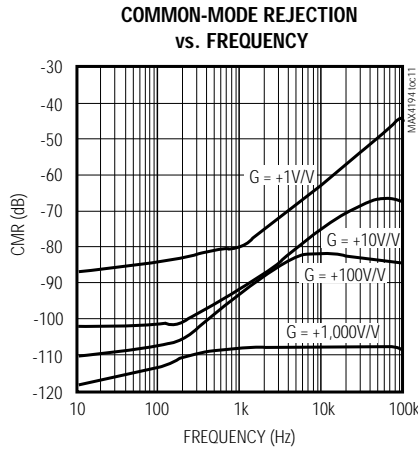
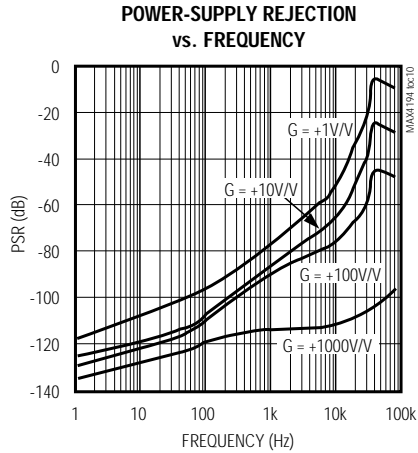
MAX4194-MAX4197



Micropower, Single-Supply, Rail-to-Rail, Precision Instrumentation Amplifiers

Typical Operating Characteristics (continued)

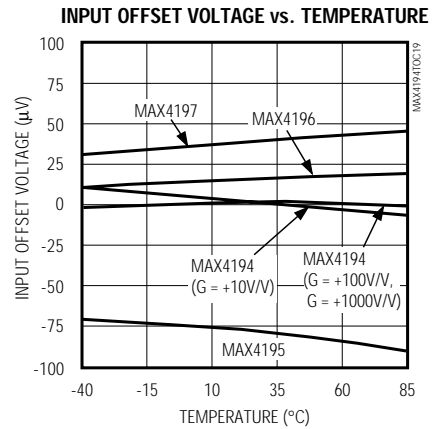
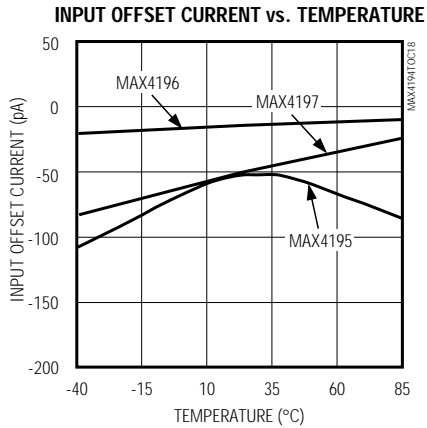
($V_{CC} = +5V$, $V_{EE} = 0$, $R_L = 25k\Omega$ tied to $V_{CC}/2$, $T_A = +25^\circ C$, unless otherwise noted.)



Micropower, Single-Supply, Rail-to-Rail, Precision Instrumentation Amplifiers

Typical Operating Characteristics (continued)

($V_{CC} = +5V$, $V_{EE} = 0$, $R_L = 25k\Omega$ tied to $V_{CC}/2$, $T_A = +25^\circ C$, unless otherwise noted.)



MAX4194-MAX4197

Pin Description

PIN		NAME	FUNCTION
MAX4194	MAX4195 MAX4196 MAX4197		
1, 8	—	RG-, RG+	Connection for Gain Setting Resistor
5	1	REF	Reference Voltage. Offsets output voltage.
2	2	IN-	Inverting Input
3	3	IN+	Noninverting Input
4	4	V_{EE}	Negative Supply Voltage
—	5	FB	Feedback. Connects to OUT.
6	6	OUT	Amplifier Output
7	7	V_{CC}	Positive Supply Voltage
—	8	\overline{SHDN}	Shutdown Control

Micropower, Single-Supply, Rail-to-Rail, Precision Instrumentation Amplifiers

Detailed Description

Input Stage

The MAX4194-MAX4197 family of low-power instrumentation amplifiers implements a three-amplifier topology (Figure 1). The input stage is composed of two operational amplifiers that together provide a fixed-gain differential and a unity common-mode gain. The output stage is a conventional differential amplifier that provides an overall common-mode rejection of 115dB ($G =$

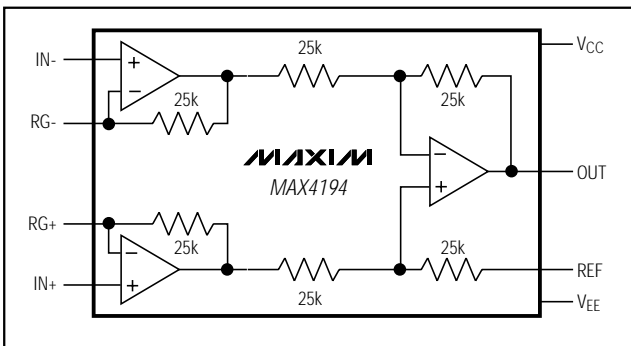


Figure 1. MAX4194 Simplified Block Diagram

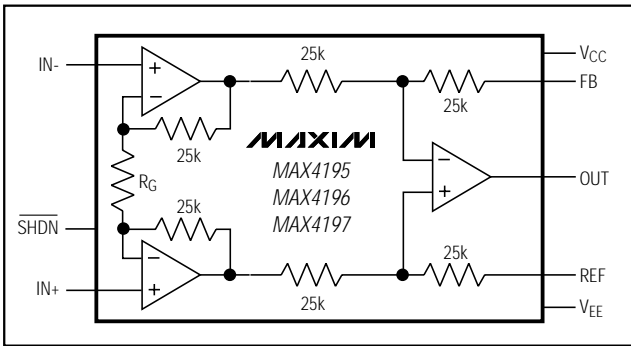


Figure 2. MAX4195/MAX4196/MAX4197 Simplified Block Diagram

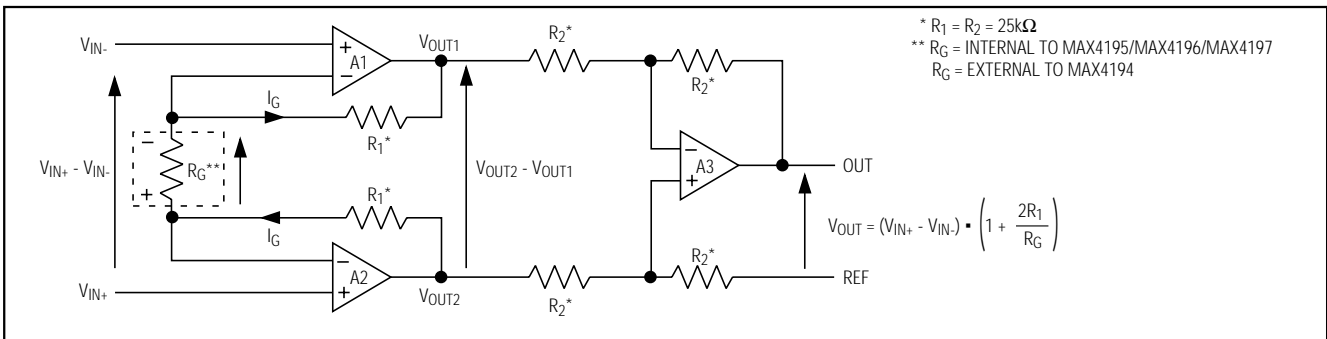


Figure 3. Instrumentation Amplifier Configuration

$+10V/V$). The MAX4194's gain can be externally set between $+1V/V$ and $+10,000V/V$ (Table 1). The MAX4195/MAX4196/MAX4197 have on-chip gain-setting resistors (Figure 2), and their gains are fixed at $+1V/V$, $+10V/V$, and $+100V/V$, respectively.

Input Voltage Range and Detailed Operation

The common-mode input range for all of these amplifiers is $V_{EE} + 0.2V$ to $V_{CC} - 1.1V$. Ideally, the instrumentation amplifier (Figure 3) responds only to a differential voltage applied to its inputs, $IN+$ and $IN-$. If both inputs are at the same voltage, the output is V_{REF} . A differential voltage at $IN+$ (V_{IN+}) and $IN-$ (V_{IN-}) develops an identical voltage across the gain-setting resistor, causing a current (I_G) to flow. This current also flows through the feedback resistors of the two input amplifiers A1 and A2, generating a differential voltage of:

$$V_{OUT2} - V_{OUT1} = I_G \cdot (R_1 + R_G + R_1)$$

where V_{OUT1} and V_{OUT2} are the output voltages of A1 and A2, R_G is the gain-setting resistor (internal or external to the part), and R_1 is the feedback resistor of the input amplifiers.

I_G is determined by the following equation:

$$I_G = (V_{IN+} - V_{IN-}) / R_G$$

The output voltage (V_{OUT}) for the instrumentation amplifier is expressed in the following equation:

$$V_{OUT} = (V_{IN+} - V_{IN-}) \cdot [(2 \cdot R_1) / R_G] + 1$$

The common-mode input range is a function of the amplifier's output voltage and the supply voltage. With a power supply of V_{CC} , the largest output signal swing can be obtained with REF tied to $V_{CC}/2$. This results in an output voltage swing of $\pm V_{CC}/2$. An output voltage swing less than full-scale increases the common-mode input range.

* $R_1 = R_2 = 25k\Omega$
 ** $R_G =$ INTERNAL TO MAX4195/MAX4196/MAX4197
 $R_G =$ EXTERNAL TO MAX4194

Micropower, Single-Supply, Rail-to-Rail, Precision Instrumentation Amplifiers

Table 1. MAX4194 External Gain Resistor Selection

GAIN (V/V)	CLOSEST R _G (1%) (Ω)	CLOSEST R _G (5%) (Ω)
+1	∞ *	∞ *
+2	49.9k	51k
+5	12.4k	12k
+10	5.62k	5.6k
+20	2.61k	2.7k
+50	1.02k	1.0k
+100	511	510
+200	249	240
+500	100	100
+1,000	49.9	51
+2,000	24.9	24
+5,000	10	10
+10,000	4.99	5.1

* Leave pins 1 and 8 open for G = +1V/V.

V_{CM} vs. V_{OUT} Characterization

Figure 4 illustrates the MAX4194 typical common-mode input voltage range over output voltage swing at unity-gain (pins 1 and 8 left floating), with a single-supply voltage of V_{CC} = +5V and a bias reference voltage of V_{REF} = V_{CC}/2 = +2.5V. Points A and D show the full input voltage range of the input amplifiers (V_{EE} + 0.2V to V_{CC} - 1.1V) since, with +2.5V output, there is zero input differential swing. The other points (B, C, E, and F) are determined by the input voltage range of the input amps minus the differential input amplitude necessary to produce the associated V_{OUT}. For the higher gain configurations, the V_{CM} range will increase at the endpoints (B, C, E, and F) since a smaller differential voltage is necessary for the given output voltage.

Rail-to-Rail Output Stage

The MAX4194-MAX4197's output stage incorporates a common-source structure that maximizes the dynamic range of the instrumentation amplifier.

The output can drive up to a 25kΩ (tied to V_{CC}/2) resistive load and still typically swing within 30mV of the rails. With an output load of 5kΩ tied to V_{CC}/2, the output voltage swings within 100mV of the rails.

Shutdown Mode

The MAX4195-MAX4197 feature a low-power shutdown mode. When the shutdown pin (SHDN) is pulled low, the internal amplifiers are switched off and the supply current drops to 8μA typically (Figures 5a, 5b, and 5c).

This disables the instrumentation amplifier and puts its output in a high-impedance state. Pulling SHDN high enables the instrumentation amplifier.

Applications Information

Setting the Gain (MAX4194)

The MAX4194's gain is set by connecting a single, external gain resistor between the two R_G pins (pin 1 and pin 8), and can be described as:

$$G = 1 + 50k\Omega / R_G$$

where G is the instrumentation amplifier's gain and R_G is the gain-setting resistor.

The 50kΩ resistor of the gain equation is the sum of the two resistors internally connected to the feedback loops of the IN+ and IN- amplifiers. These embedded feedback resistors are laser trimmed, and their accuracy and temperature coefficients are included in the gain and drift specification for the MAX4194.

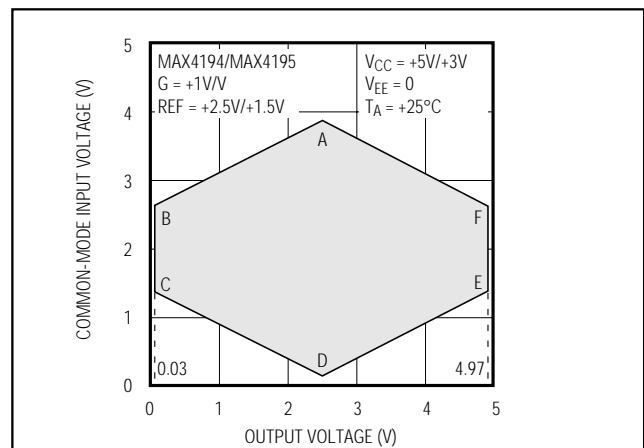


Figure 4. Common-Mode Input Voltage vs. Output Voltage

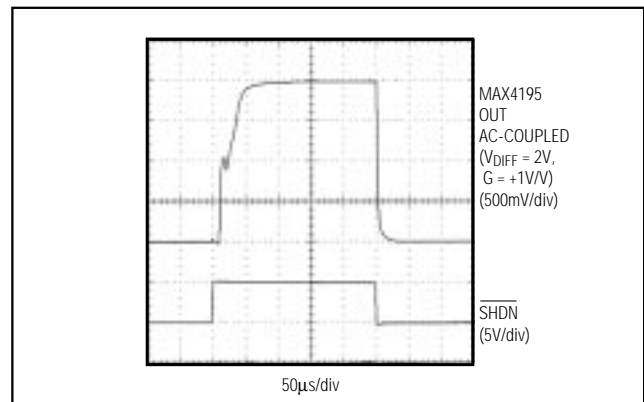


Figure 5a. MAX4195 Shutdown Mode

Micropower, Single-Supply, Rail-to-Rail, Precision Instrumentation Amplifiers

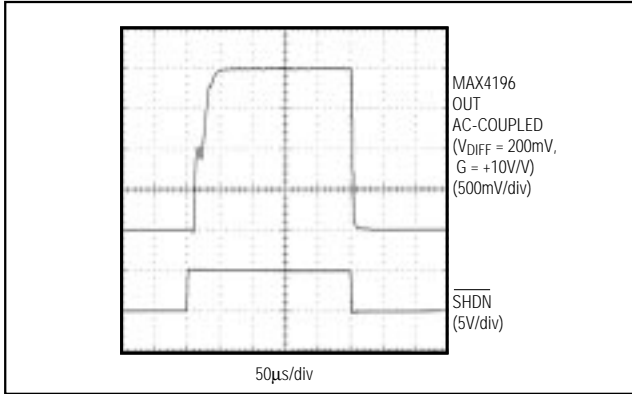


Figure 5b. MAX4196 Shutdown Mode

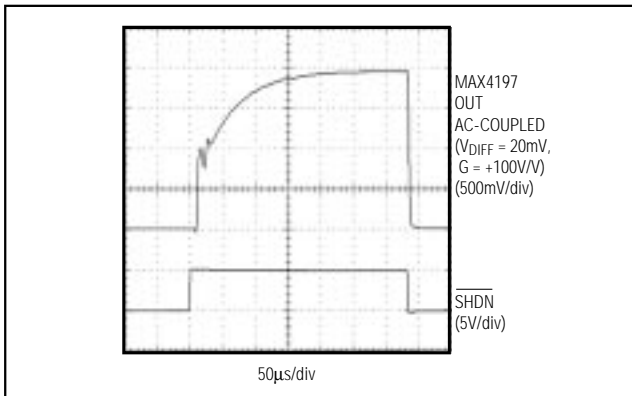


Figure 5c. MAX4197 Shutdown Mode

The accuracy and temperature drift of the R_G resistors also influence the IC's precision and gain drift, and can be derived from the equation above. With low R_G values, which are required for high-gain operation, parasitic resistances may significantly increase the gain error.

Capacitive Load Stability

The MAX4194-MAX4197 are stable for capacitive loads up to 300pF (Figure 6a). Applications that require greater capacitive-load driving capability can use an isolation resistor (Figure 6b) between the output and the capacitive load to reduce ringing on the output signal. However, this alternative reduces gain accuracy because R_{ISO} (Figure 6c) forms a potential divider with the load resistor.

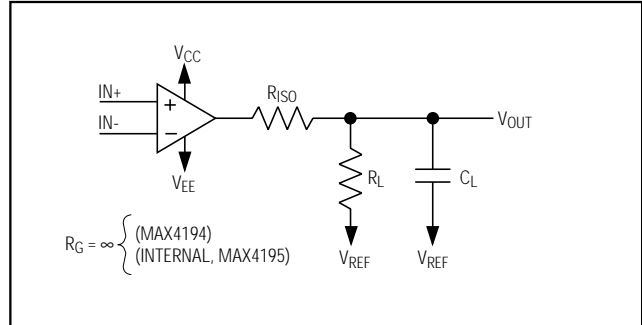


Figure 6a. Using a Resistor to Isolate a Capacitive Load from the Instrumentation Amplifier ($G = +1V/V$)

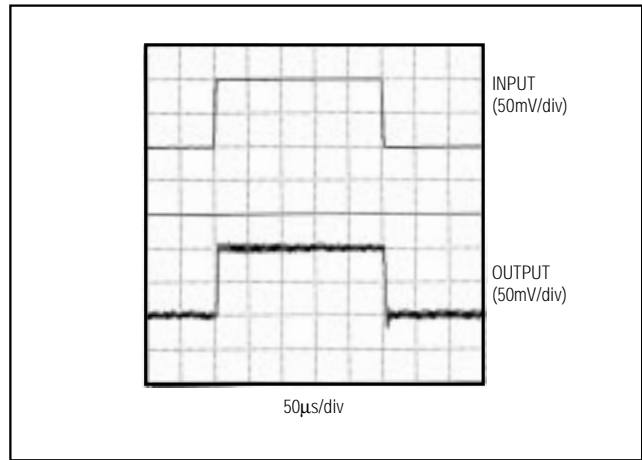


Figure 6b. Small-Signal Pulse Response with Excessive Capacitive Load ($R_L = 25k\Omega$, $C_L = 1000pF$)

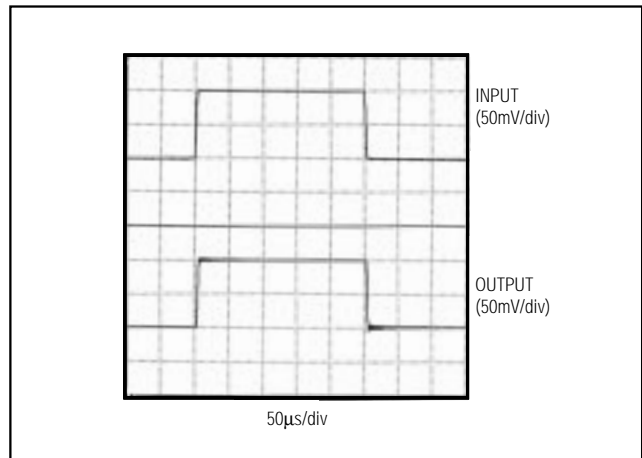


Figure 6c. Small-Signal Pulse Response with Excessive Capacitive Load and Isolating Resistor ($R_{ISO} = 75\Omega$, $R_L = 25k\Omega$, $C_L = 1000pF$)

Micropower, Single-Supply, Rail-to-Rail, Precision Instrumentation Amplifiers

Power-Supply Bypassing and Layout

Good layout technique optimizes performance by decreasing the amount of stray capacitance at the instrumentation amplifier's gain-setting pins. Excess capacitance will produce peaking in the amplifier's frequency response. To decrease stray capacitance, minimize trace lengths by placing external components as close to the instrumentation amplifier as possible. For best performance, bypass each power supply to ground with a separate 0.1µF capacitor.

Transducer Applications

The MAX4194-MAX4197 instrumentation amplifiers can be used in various signal-conditioning circuits for thermocouples, PT100s, strain gauges (displacement sensors), piezoresistive transducers (PRTs), flow sensors, and bioelectrical applications. Figure 7 shows a simplified example of how to attach four strain gauges (two

identical two-element strain gauges) to the inputs of the MAX4194. The bridge contains four resistors, two of which increase and two of which decrease by the same ratio.

With a fully balanced bridge, points A (IN+) and B (IN-) see half the excitation voltage (V_{BRIDGE}). The low impedance (120Ω to 350Ω) of the strain gauges, however, could cause significant voltage drop contributions by the wires leading to the bridge, which would cause excitation variations. Output voltage V_{OUT} can be calculated as follows:

$$V_{OUT} = V_{AB} \cdot G$$

where $G = (1 + 50k\Omega / R_G)$ is the gain of the instrumentation amplifier.

Since V_{AB} is directly proportional to the excitation, gain errors may occur.

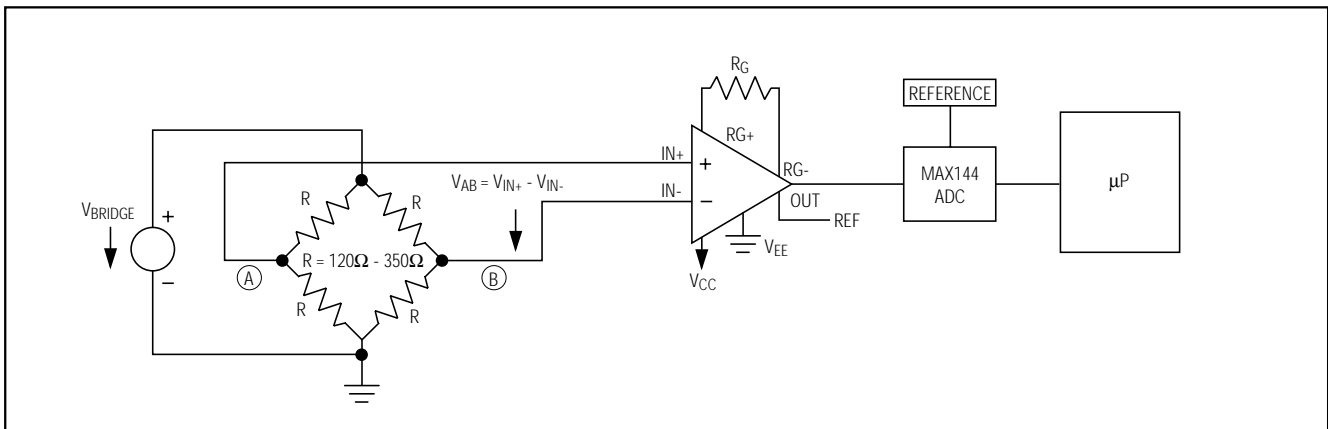


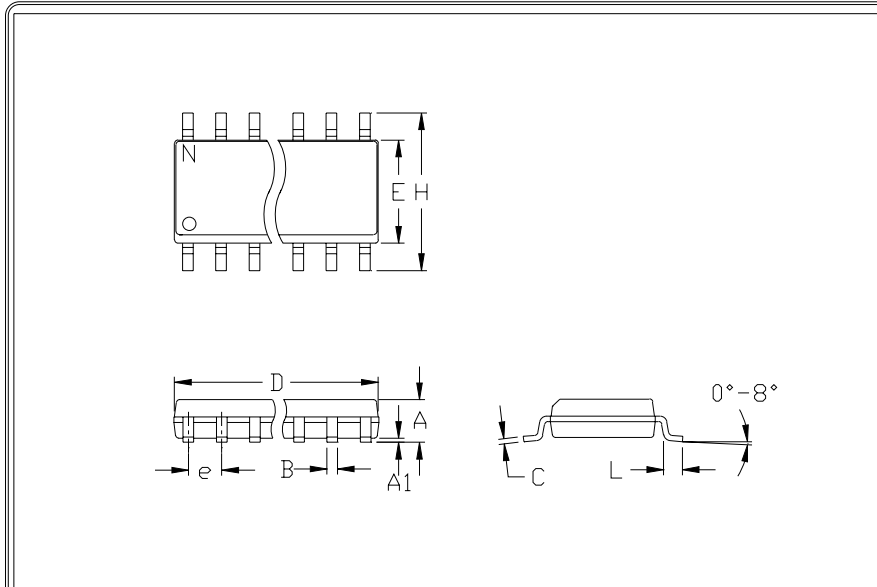
Figure 7. Strain Gauge Connection to the MAX4194

_____ Chip Information

TRANSISTOR COUNT: 432

Micropower, Single-Supply, Rail-to-Rail, Precision Instrumentation Amplifiers

Package Information



	INCHES		MILLIMETERS	
	MIN	MAX	MIN	MAX
A	0.053	0.069	1.35	1.75
A1	0.004	0.010	0.10	0.25
B	0.014	0.019	0.35	0.49
C	0.007	0.010	0.19	0.25
e	0.050		1.27	
E	0.150	0.157	3.80	4.00
H	0.228	0.244	5.80	6.20
h	0.010	0.020	0.25	0.50
L	0.016	0.050	0.40	1.27

	INCHES		MILLIMETERS		N	MS012
	MIN	MAX	MIN	MAX		
D	0.189	0.197	4.80	5.00	8	A
D	0.337	0.344	8.55	8.75	14	B
D	0.386	0.394	9.80	10.00	16	C

- NOTES:
1. D&E DO NOT INCLUDE MOLD FLASH
 2. MOLD FLASH OR PROTRUSIONS NOT TO EXCEED .15mm (.006")
 3. LEADS TO BE COPLANAR WITHIN .102mm (.004")
 4. CONTROLLING DIMENSION: MILLIMETER
 5. MEETS JEDEC MS012-XX AS SHOWN IN ABOVE TABLE
 6. N = NUMBER OF PINS


PACKAGE FAMILY OUTLINE: SOIC .150"

21-0041 A

120 SAN GABRIEL DR. SUNNYVALE CA 94086 FAX (408) 737 7754
PROPRIETARY - UNPUBLISHED
TITLE
DOCUMENT CONTROL NUMBER
REV

Maxim cannot assume responsibility for use of any circuitry other than circuitry entirely embodied in a Maxim product. No circuit patent licenses are implied. Maxim reserves the right to change the circuitry and specifications without notice at any time.

12 _____ Maxim Integrated Products, 120 San Gabriel Drive, Sunnyvale, CA 94086 408-737-7600