

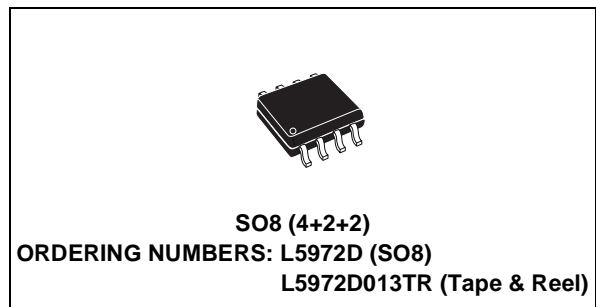


2A SWITCH STEP DOWN SWITCHING REGULATOR

- 2A INTERNAL SWITCH
- OPERATING INPUT VOLTAGE FROM 4.4V TO 36V
- OUTPUT VOLTAGE ADJUSTABLE FROM 1.235V TO 35V
- LOW DROPOUT OPERATION: 100% DUTY CYCLE
- 250KHz INTERNALLY FIXED FREQUENCY
- VOLTAGE FEEDFORWARD
- ZERO LOAD CURRENT OPERATION
- INTERNAL CURRENT LIMITING
- PROTECTION AGAINST FEEDBACK DISCONNECTION
- THERMAL SHUTDOWN

APPLICATIONS:

- CONSUMER: STB, DVD, TV, VCR, CAR RADIO, LCD MONITORS
- NETWORKING: XDSL, MODEMS, DC-DC MODULES
- COMPUTER: PRINTERS, AUDIO/GRAPHIC CARDS, OPTICAL STORAGE, HARD DISK DRIVE
- INDUSTRIAL: CHARGERS, CAR BATTERY DC-DC CONVERTERS



DESCRIPTION

The L5972D is a step down monolithic power switching regulator with a minimum switch current limit of 2A so it is able to deliver more than 1.5A DC current to the load depending on the application conditions.

The output voltage can be set from 1.235V to 35V.

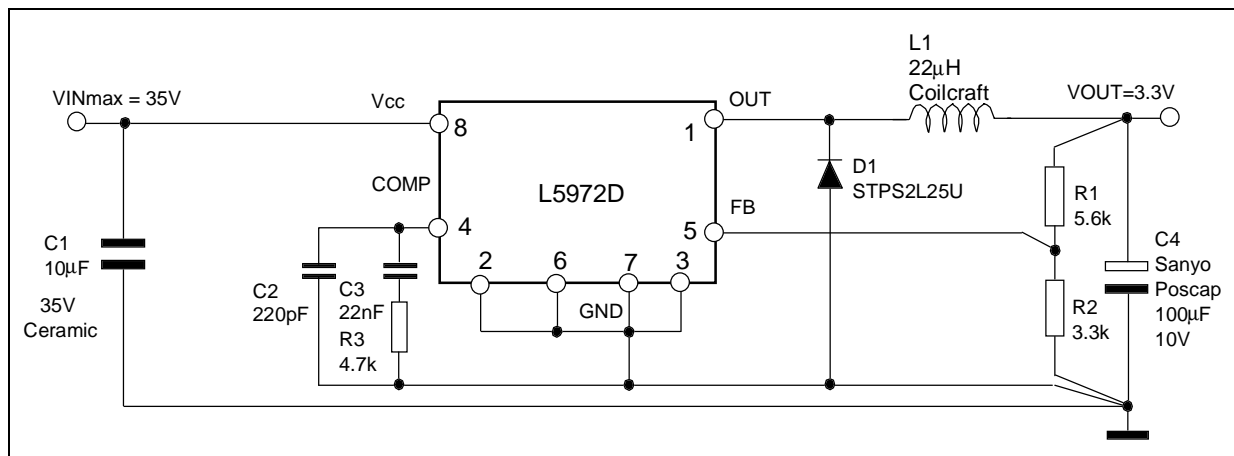
The device uses an internal P-Channel D-MOS transistor (with a typical R_{dson} of 250m Ω) as switching element to minimize the size of the external components.

An internal oscillator fixes the switching frequency at 250KHz.

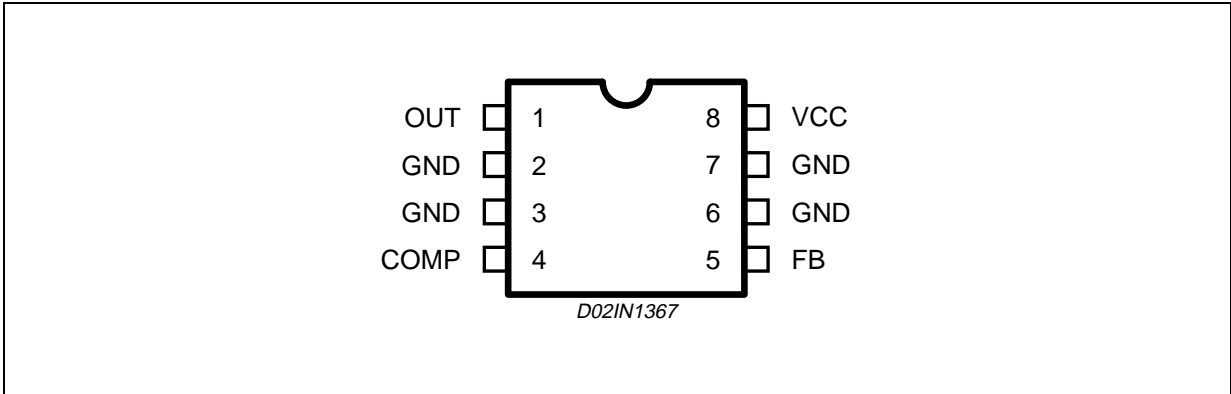
Having a minimum input voltage of 4.4V only, it is particularly suitable for 5V bus, available in all computer related applications.

Pulse by pulse current limit with the internal frequency modulation offers an effective constant current short circuit protection.

TEST APPLICATION CIRCUIT



PIN CONNECTION



PIN DESCRIPTION

| N° | Pin | Function |
|---------|------|--|
| 1 | OUT | Regulator Output. |
| 2,3,6,7 | GND | Ground. |
| 4 | COMP | E/A output for frequency compensation. |
| 5 | FB | Feedback input. Connecting directly to this pin results in an output voltage of 1.23V. An external resistive divider is required for higher output voltages. |
| 8 | VCC | Unregulated DC input voltage. |

THERMAL DATA

| Symbol | Parameter | Value | Unit |
|------------------------|--|-------------|------|
| R _{th(j-amb)} | Thermal Resistance Junction to ambient | Max. 65 (*) | °C/W |

(*) Package mounted on board (4cm² ground-plane)

ABSOLUTE MAXIMUM RATINGS

| Symbol | Parameter | Value | Unit |
|---------------------------------|--------------------------------------|-------------|------|
| V ₈ | Input Voltage | 40 | V |
| V ₁ | Out pin DC voltage | -1 to 40 | V |
| | Out pin peak voltage at Δt = 0.1μs | -5 to 40 | V |
| I ₁ | Maximum output current | int. limit. | |
| V ₄ , V ₅ | Analog pins | 4 | V |
| P _{tot} | Power dissipation at Tamb ≤ 70°C | 1.2 | W |
| T _j | Operating junction temperature range | -40 to 150 | °C |
| T _{stg} | Storage temperature range | -55 to 150 | °C |

ELECTRICAL CHARACTERISTICS ($T_j = 25^\circ\text{C}$, $V_{CC} = 12\text{V}$, unless otherwise specified.)(*) Specification Referred to T_j from -40 to 125°C .

| Symbol | Parameter | Test Condition | | Min. | Typ. | Max. | Unit |
|---|-----------------------------------|--|---|-------|-------|-------|---------------|
| V_{CC} | Operating input voltage range | $V_o = 1.235\text{V}; I_o = 1.5\text{A}$ | * | 4.4 | | 36 | V |
| V_d | Dropout voltage | $V_{CC} = 4.4\text{V}; I_o = 1.5\text{A}$ | * | | 0.375 | 0.75 | V |
| I_l | Maximum limiting current | $V_{CC} = 4.4\text{V to } 36\text{V}$ | * | 2 | 2.5 | 3 | A |
| f_s | Switching frequency | | * | 212 | 250 | 280 | KHz |
| | | | | 225 | 250 | 275 | KHz |
| | Duty cycle | | | 0 | | 100 | % |
| DYNAMIC CHARACTERISTICS (see test circuit). | | | | | | | |
| V_5 | Voltage feedback | $4.4\text{V} < V_{CC} < 36\text{V}$, $20\text{mA} < I_o < 1.5\text{A}$ | | 1.220 | 1.235 | 1.25 | V |
| | | | * | 1.198 | 1.235 | 1.272 | V |
| h | Efficiency | $V_o = 5\text{V}, V_{CC} = 12\text{V}$ | | | 90 | | % |
| DC CHARACTERISTICS | | | | | | | |
| I_{qop} | Total operating quiescent current | | * | | 3 | 5 | mA |
| I_q | Quiescent current | Duty Cycle = 0; $V_{FB} = 1.5\text{V}$ | | | | 2.5 | mA |
| ERROR AMPLIFIER | | | | | | | |
| V_{OH} | High level output voltage | $V_{FB} = 1\text{V}$ | | 3.5 | | | V |
| V_{OL} | Low level output voltage | $V_{FB} = 1.5\text{V}$ | | | | 0.4 | V |
| $I_{o\ source}$ | Source output current | $V_{COMP} = 1.9\text{V}; V_{FB} = 1\text{V}$ | | 200 | 300 | | μA |
| $I_{o\ sink}$ | Sink output current | $V_{COMP} = 1.9\text{V}; V_{FB} = 1.5\text{V}$ | | 1 | 1.5 | | mA |
| I_b | Source bias current | | | | 2.5 | 4 | μA |
| | DC open loop gain | $R_L = \infty$ | | 50 | 65 | | dB |
| gm | Transconductance | $I_{comp} = -0.1\text{mA to } 0.1\text{mA}$ $V_{COMP} = 1.9\text{V}$ | | | 2.3 | | mS |

Figure 1. Output Voltage vs. Junction Temperature

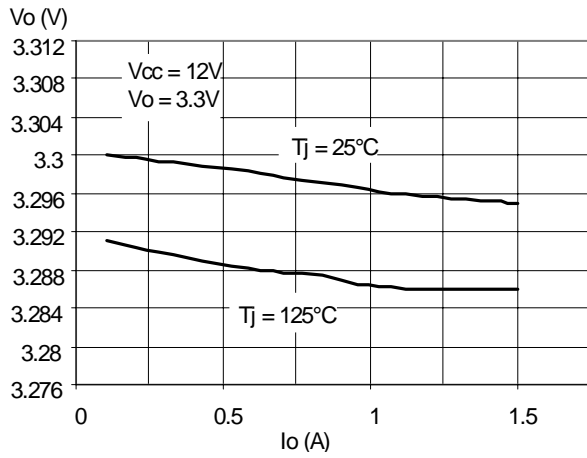


Figure 4. Quiescent Current vs. Junction Temperature

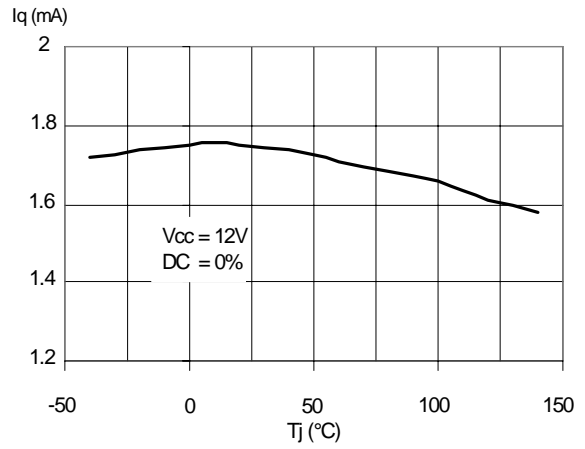


Figure 2. Line Regulation

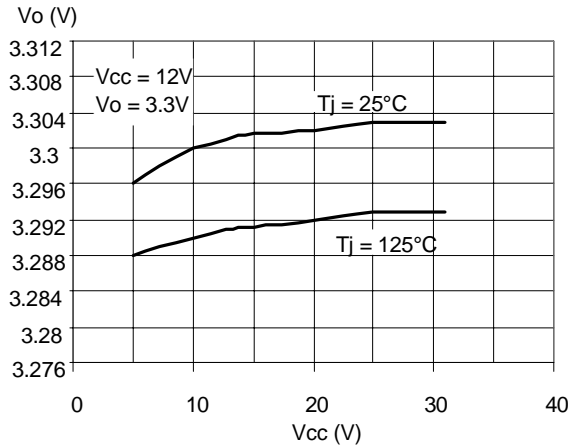


Figure 5. Shutdown Current vs. Junction Temperature

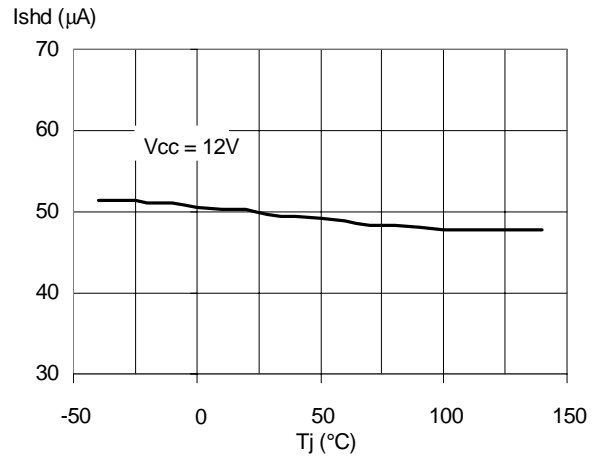


Figure 3. Output Voltage vs. Junction Temperature

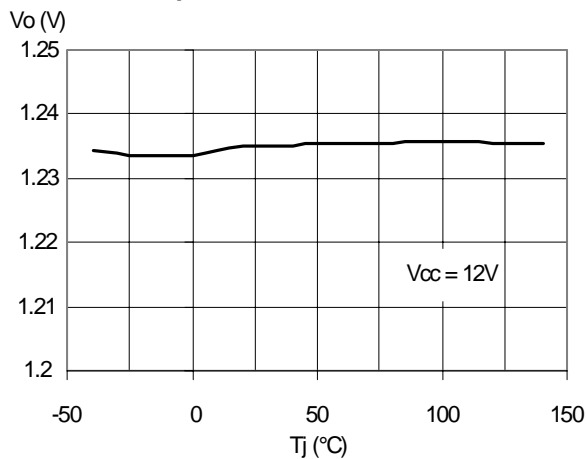
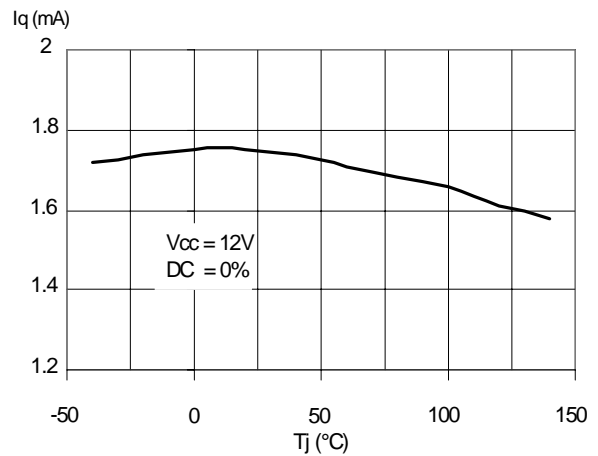


Figure 6. Switching Frequency vs. Junction Temperature



APPLICATION CIRCUIT

In figure 7 is shown the demo board application circuit for the device in SMD version, where the input supply voltage, V_{cc} , can range from 4.4V to 25V due to the rated voltage of the input capacitor and the output voltage is adjustable from 1.235V to V_{cc} .

Figure 7. Demo board Application Circuit

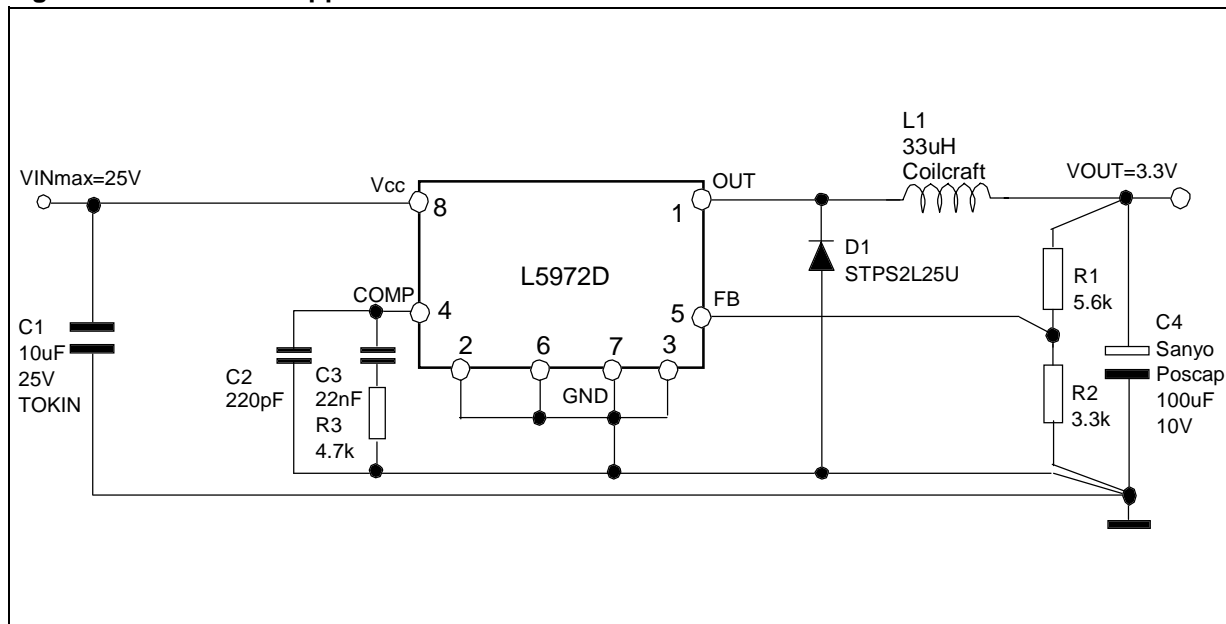


Table 1. Component List

| Reference | Part Number | Description | Manufacturer |
|-----------|----------------|-----------------|---------------|
| C1 | | 10µF, 25V | TOKIN |
| C2 | 10TPB100M | 100µF, 10V | Sanyo, POSCAP |
| C3 | C1206C223K5RAC | 22nF, 10%, 50V | KEMET |
| C4 | C1206C221J5GAC | 220pF, 5%, 50V | KEMET |
| R1 | | 5.6K, 1%, 0.25W | Neohm |
| R2 | | 3.3K, 1%, 0.25W | Neohm |
| R3 | | 2.7K, 1%, 0.25W | Neohm |
| D1 | STPS2L25U | 2A, 25V | ST |
| L1 | DO3316P-333 | 33µH, 2.1A | COILCRAFT |

Figure 8. PCB layout (component side)

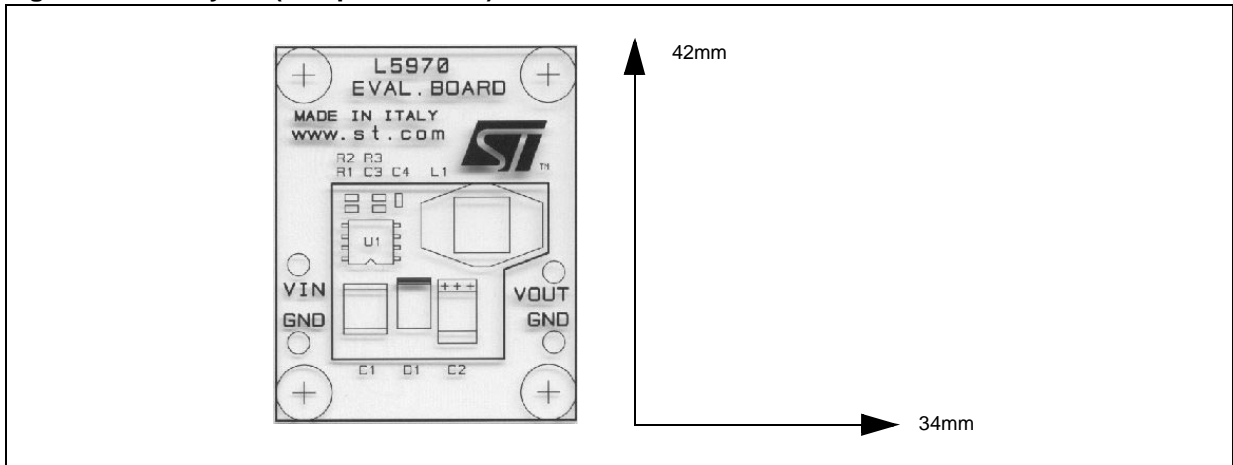


Figure 9. PCB layout (bottom side)

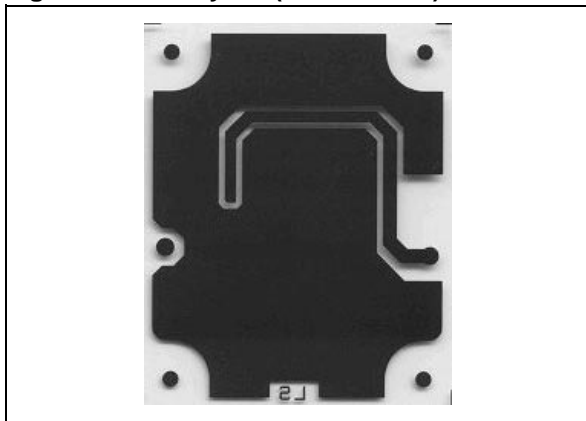


Figure 10. PCB layout (front side)

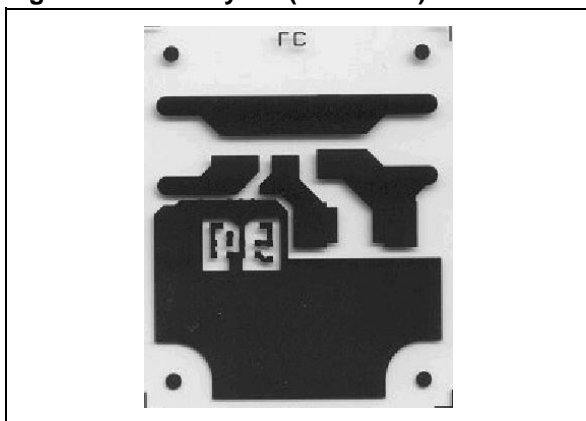


Figure 11. Junction Temperature vs. Output Current

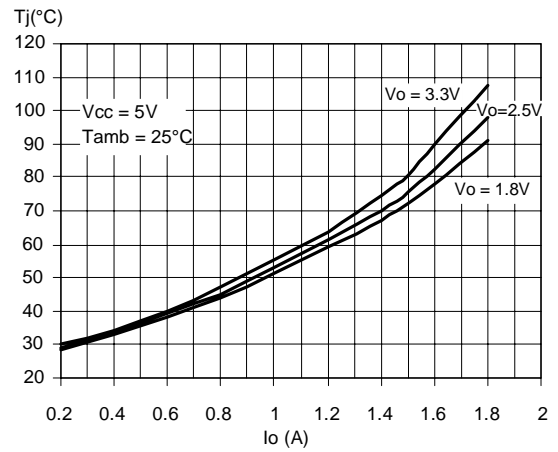
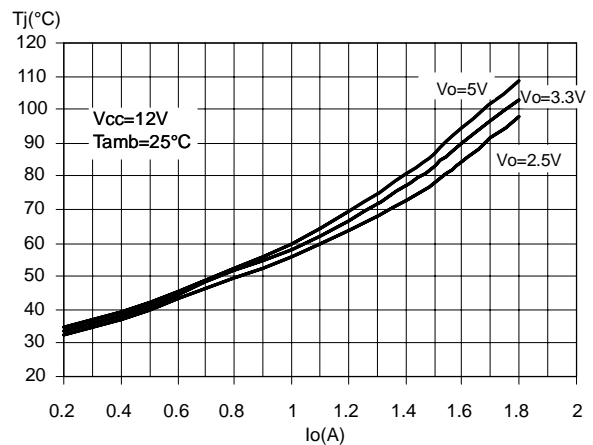


Figure 12. Junction Temperature vs. Output Current



Sideways two graphs show the Tj versus output current in different conditions of the input and output voltage.

APPLICATION IDEAS

Figure 13. Positive Buck-Boost regulator

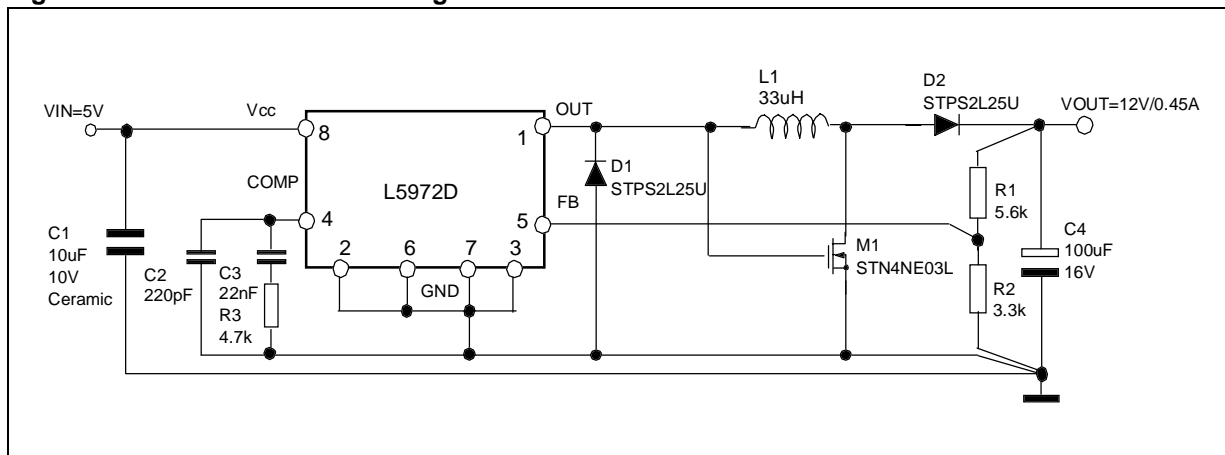


Figure 14. Buck-Boost regulator

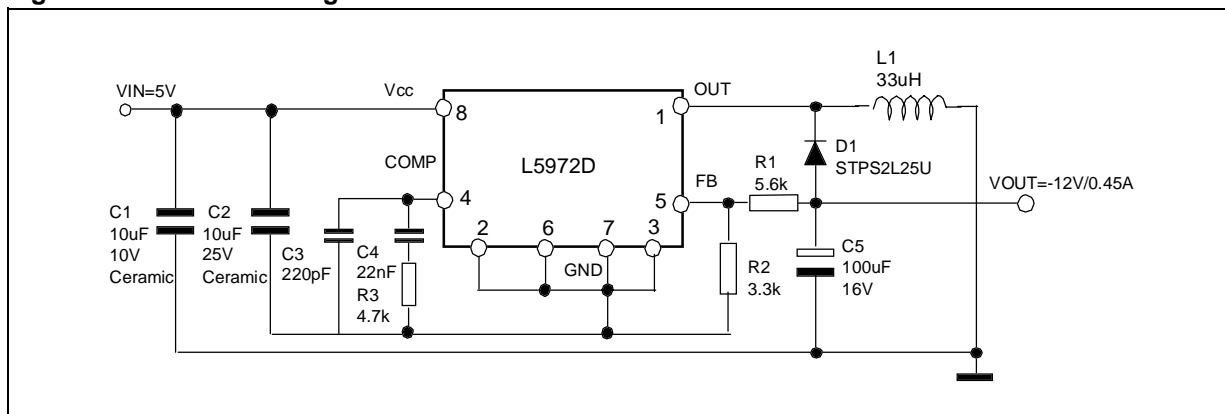
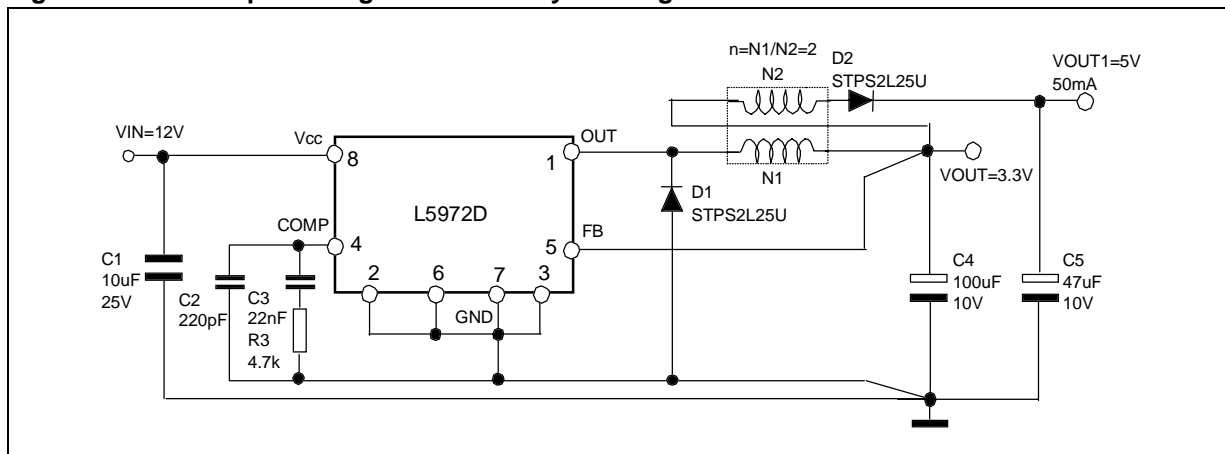
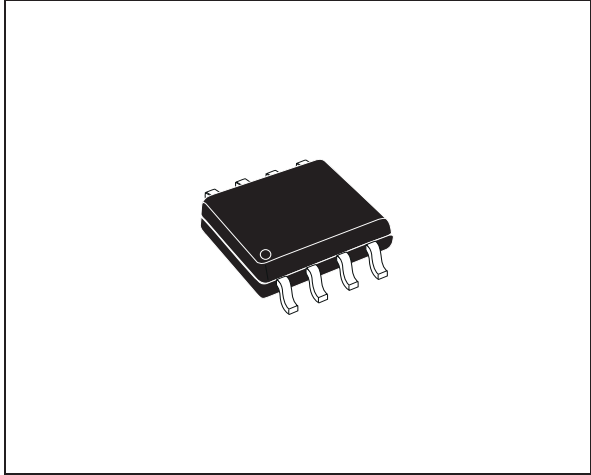


Figure 15. Dual output voltage with auxiliary winding



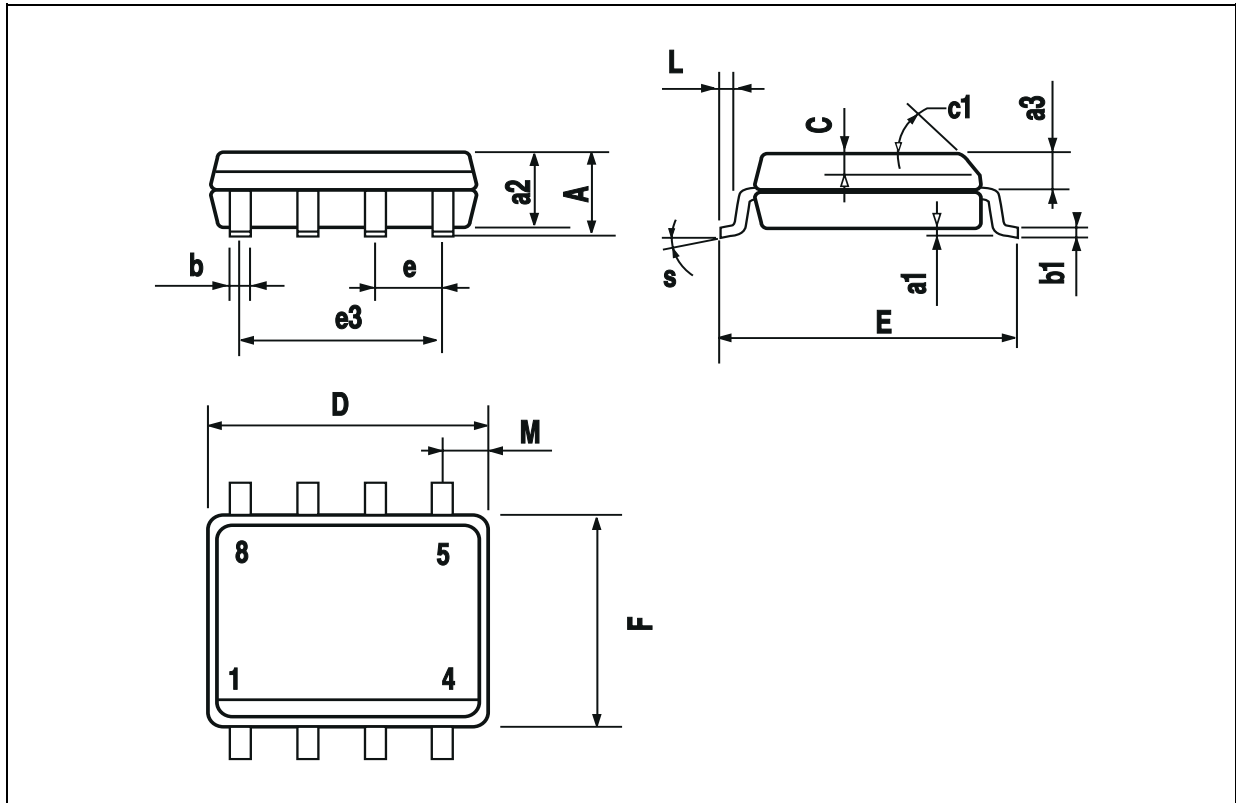
| DIM. | mm | | | inch | | |
|-------|------------|------|------|-------|-------|-------|
| | MIN. | TYP. | MAX. | MIN. | TYP. | MAX. |
| A | | | 1.75 | | | 0.069 |
| a1 | 0.1 | | 0.25 | 0.004 | | 0.010 |
| a2 | | | 1.65 | | | 0.065 |
| a3 | 0.65 | | 0.85 | 0.026 | | 0.033 |
| b | 0.35 | | 0.48 | 0.014 | | 0.019 |
| b1 | 0.19 | | 0.25 | 0.007 | | 0.010 |
| C | 0.25 | | 0.5 | 0.010 | | 0.020 |
| c1 | 45° (typ.) | | | | | |
| D (1) | 4.8 | | 5.0 | 0.189 | | 0.197 |
| E | 5.8 | | 6.2 | 0.228 | | 0.244 |
| e | | 1.27 | | | 0.050 | |
| e3 | | 3.81 | | | 0.150 | |
| F (1) | 3.8 | | 4.0 | 0.15 | | 0.157 |
| L | 0.4 | | 1.27 | 0.016 | | 0.050 |
| M | | | 0.6 | | | 0.024 |
| S | 8° (max.) | | | | | |

OUTLINE AND MECHANICAL DATA



SO8

(1) D and F do not include mold flash or protrusions. Mold flash or protrusions shall not exceed 0.15mm (.006inch).



Information furnished is believed to be accurate and reliable. However, STMicroelectronics assumes no responsibility for the consequences of use of such information nor for any infringement of patents or other rights of third parties which may result from its use. No license is granted by implication or otherwise under any patent or patent rights of STMicroelectronics. Specifications mentioned in this publication are subject to change without notice. This publication supersedes and replaces all information previously supplied. STMicroelectronics products are not authorized for use as critical components in life support devices or systems without express written approval of STMicroelectronics.

The ST logo is a registered trademark of STMicroelectronics
© 2002 STMicroelectronics - All Rights Reserved

STMicroelectronics GROUP OF COMPANIES
Australia - Brazil - Canada - China - Finland - France - Germany - Hong Kong - India - Israel - Italy - Japan -Malaysia - Malta - Morocco -
Singapore - Spain - Sweden - Switzerland - United Kingdom - United States.
<http://www.st.com>