

KA3525A

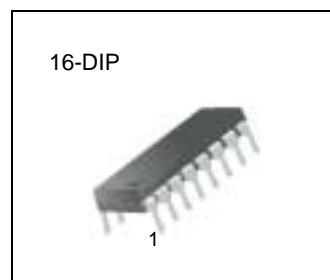
SMPS Controller

Features

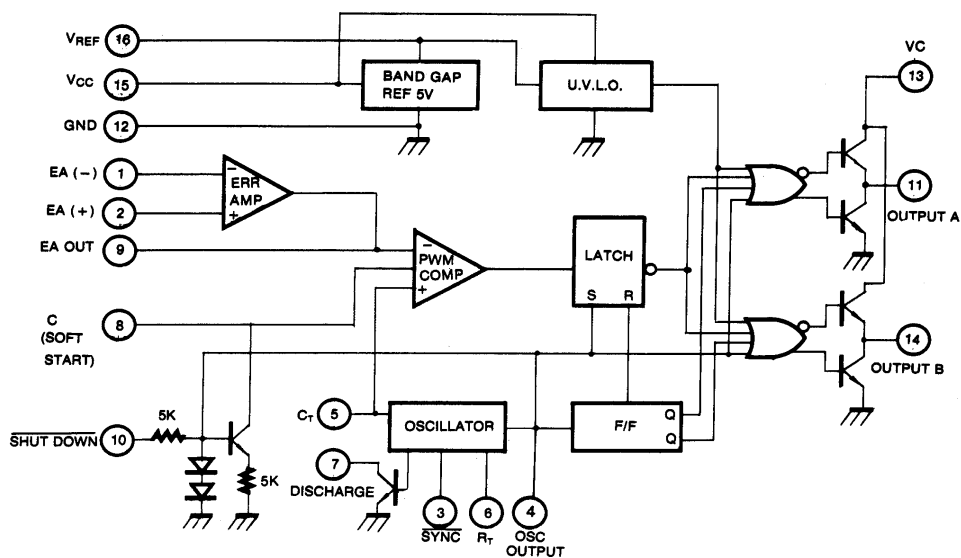
- 5V ± 1% Reference
- Oscillator Sync terminal
- Internal Soft Start
- Deadtime Control
- Under-Voltage Lockout

Description

The KA3525A is a monolithic integrated circuit that includes all of the control circuit necessary for a pulse width modulating regulator. There are a voltage reference, an error amplifier, a pulse width modulator, an oscillator, under-voltage lockout, soft start circuit, and output drivers in the chip.



Internal Block Diagram



Absolute Maximum Ratings

Parameter	Symbol	Value	Unit
Supply Voltage	V _{CC}	40	V
Collector Supply Voltage	V _C	40	V
Output Current, Sink or Source	I _O	500	mA
Reference Output Current	I _{REF}	50	mA
Oscillator Charging Current	I _{CHG(OSC)}	5	mA
Power Dissipation (T _A = 25°C)	P _D	1000	m/W
Operating Temperature	T _{OPR}	0 ~ +70	°C
Storage Temperature	T _{STG}	-65 ~ +150	°C
Lead Temperature (Soldering, 10 sec)	T _{LEAD}	+300	°C

Electrical Characteristics

(V_{CC} = 20V, T_A = -30°C to +85°C, unless otherwise specified)

Parameter	Symbol	Conditions	Min.	Typ.	Max.	Unit
REFERENCE SECTION						
Reference Output Voltage	V _{REF}	T _J = 25°C	5.0	5.1	5.2	V
Line Regulation	ΔV _{REF}	V _{CC} = 8 to 35V	-	9	20	mV
Load Regulation	ΔV _{REF}	I _{REF} = 0 to 20mA	-	20	50	mV
Short Circuit Output Current	I _{SC}	V _{REF} = 0, T _J = 25°C	-	80	100	mA
Total Output Variation (Note 1)	ΔV _{REF}	Line, Load and Temperature	4.95	-	5.25	V
Temperature Stability (Note 1)	ST _T	-	-	20	50	mV
Long Term Stability (Note 1)	ST	T _J = 125°C, 1 KHRs	-	20	50	mV
OSCILLATOR SECTION						
Initial Accuracy (Note 1, 2)	ACCUR	T _J = 25°C	-	± 3	± 6	%
Frequency Change With Voltage	Δf/ΔV _{CC}	V _{CC} = 8 to 35V (Note 1, 2)	-	± 0.8	± 2	%
Maximum Frequency	f _(MAX)	R _T = 2KΩ, C _T = 470pF	400	430	-	KHz
Minimum Frequency	f _(MIN)	R _T = 200KΩ, C _T = 0.1uF	-	60	120	Hz
Clock Amplitude (Note 1, 2)	V _(CLK)	-	3	4	-	V
Clock Width (Note 1, 2)	t _{W(CLK)}	T _J = 25°C	0.3	0.6	1	μs
Sync Threshold	V _{TH(SYNC)}	-	1.2	2	2.8	V
Sync Input Current	I _{I(SYNC)}	Sync = 3.5V	-	1.3	2.5	mA

Electrical Characteristics

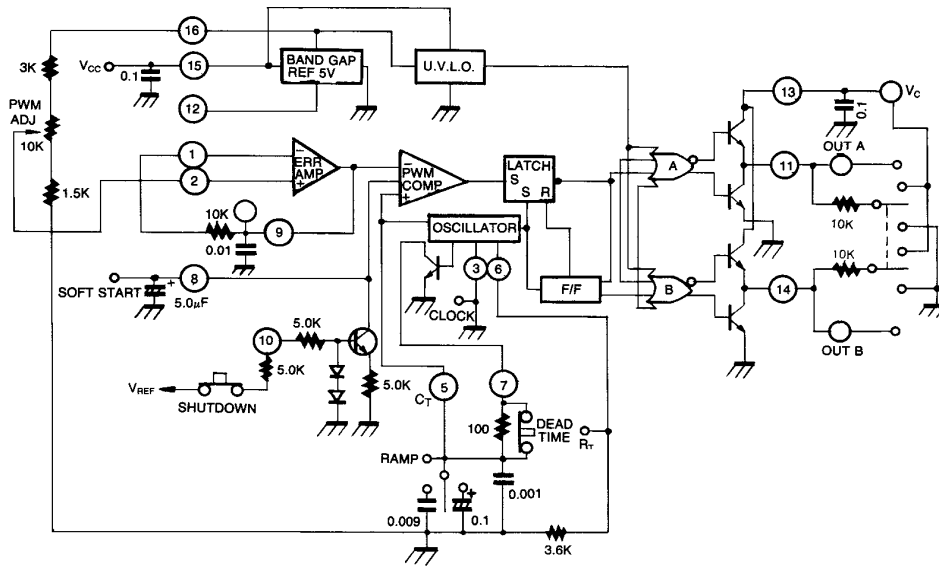
($V_{CC} = 20V$, $T_A = 0$ to $+85^{\circ}C$, unless otherwise specified)

Parameter	Symbol	Conditions	Min.	Typ.	Max.	Unit
ERROR AMPLIFIER SECTION ($V_{CM} = 5.1V$)						
Input Offset Voltage	V_{IO}	-	-	1.5	10	mV
Input Bias Current	I_{BIAS}	-	-	1	10	μA
Input Offset Current	I_{IO}	-	-	0.1	1	μA
Open Loop Voltage Gain	G_{VO}	$R_L \geq 10M\Omega$	60	80	-	dB
Common Mode Rejection Ratio	CMRR	$V_{CM} = 1.5$ to $5.2V$	60	90	-	dB
Power Supply Rejection Ratio	PSRR	$V_{CC} = 8$ to $3.5V$	50	60	-	dB
PWM COMPARATOR SECTION						
Minimum Duty Cycle	$D(MIN)$	-	-	-	0	%
Maximum Duty Cycle	$D(MAX)$	-	45	49	-	%
Input Threshold Voltage (Note 2)	V_{TH1}	Zero Duty Cycle	0.7	0.9	-	V
Input Threshold Voltage (Note 2)	V_{TH2}	Max Duty Cycle	-	3.2	3.6	V
SOFT-START SECTION						
Soft Start Current	I_{SOFT}	$V_{SD} = 0V$, $V_{SS} = 0V$	25	51	80	μA
Soft Start Low Level Voltage	V_{SL}	$V_{SD} = 25V$	-	0.3	0.7	V
Shutdown Threshold Voltage	$V_{TH(SD)}$	-	0.6	0.8	1	V
Shutdown Input Current	$I_{N(SD)}$	$V_{SD} = 2.5V$	-	0.3	1	mA
OUTPUT SECTION						
Low Output Voltage I	$V_{OL I}$	$I_{SINK} = 20mA$	-	0.1	0.4	V
Low Output Voltage II	$V_{OL II}$	$I_{SINK} = 100mA$	-	0.05	2	V
High Output Voltage I	$V_{CH I}$	$I_{SOURCE} = 20mA$	18	19	-	V
High Output Voltage II	$V_{CH II}$	$I_{SOURCE} = 100mA$	17	18	-	V
Under Voltage Lockout	V_{UV}	V_8 and $V_9 = High$	6	7	8	V
Collector Leakage Current	I_{LKG}	$V_{CC} = 35V$	-	80	200	μA
Rise Time (Note 1)	t_R	$C_L = 1\mu F$, $T_J = 25^{\circ}C$	-	80	600	ns
Fall Time (Note 1)	t_F	$C_L = 1\mu F$, $T_J = 25^{\circ}C$	-	70	300	ns
STANDBY CURRENT						
Supply Current	I_{CC}	$V_{CC} = 35V$	-	12	20	mA

Notes :

1. These parameters, although guaranteed over the recommended operating conditions, are not 100% tested in production
2. Tested at $f_{OSC} = 40$ KHz ($R_T = 3.6K$, $C_T = 0.01\mu F$, $R_I = 0\Omega$)

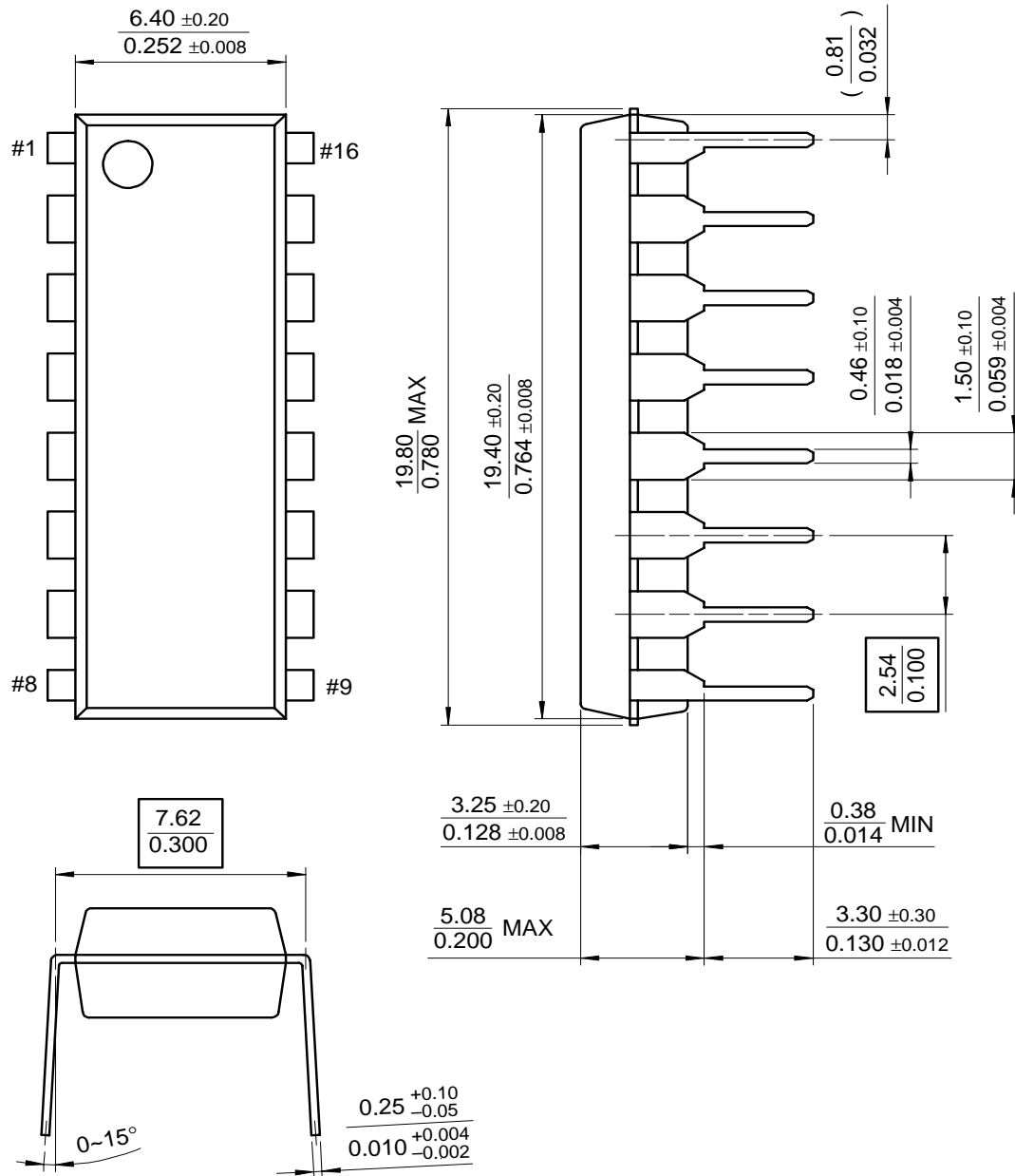
Test Circuit



Mechanical Dimensions

Package

16-DIP



Ordering Information

Product Number	Package	Operating Temperature
KA3525A	16-DIP	-30 ~ +85°C

LIFE SUPPORT POLICY

FAIRCHILD'S PRODUCTS ARE NOT AUTHORIZED FOR USE AS CRITICAL COMPONENTS IN LIFE SUPPORT DEVICES OR SYSTEMS WITHOUT THE EXPRESS WRITTEN APPROVAL OF THE PRESIDENT OF FAIRCHILD SEMICONDUCTOR INTERNATIONAL. As used herein:

1. Life support devices or systems are devices or systems which, (a) are intended for surgical implant into the body, or (b) support or sustain life, and (c) whose failure to perform when properly used in accordance with instructions for use provided in the labeling, can be reasonably expected to result in a significant injury of the user.
2. A critical component in any component of a life support device or system whose failure to perform can be reasonably expected to cause the failure of the life support device or system, or to affect its safety or effectiveness.