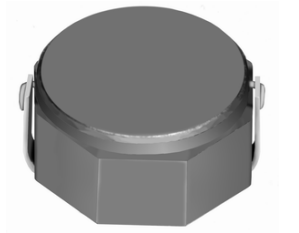
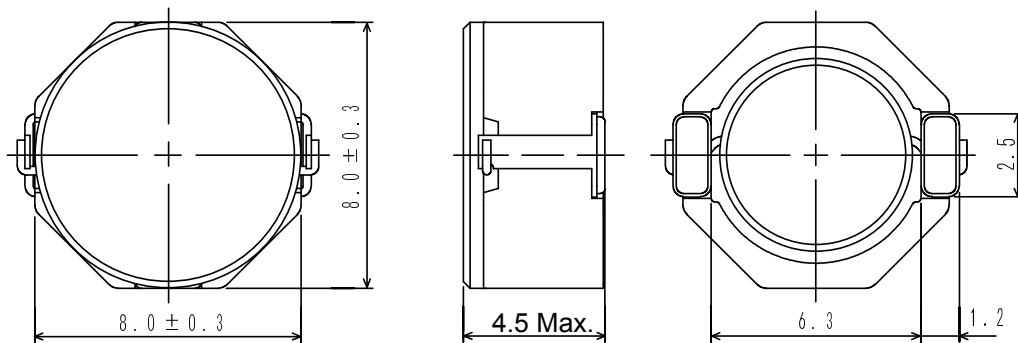
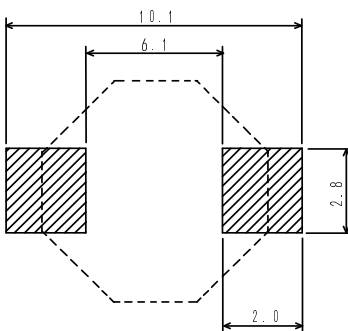


Type: CDRH8D43
◆ Product Description

- 8.3×8.3mm Max.(L×W), 4.5 mm Max. Height.
- Inductance range: 0.68~100 μ H.
- Rated current range: 0.8~6.9A.
- In addition to the standards versions shown here, custom inductors are also available to meet your exact requirements.


◆ Feature

- Magnetically shielded construction.
- Storage temperature range: -40°C ~+100°C.
- Operating temperature range: -40°C ~+100°C (Including coil's self temperature rise).
- Ideally used in Mobile phone, MP3, PDA ,HDD,DSC/DVC, etc as DC-DC converter inductors.
- Qualification to AEC-Q200.
- RoHS compliance and Halogen Free.

◆ Dimensions (mm)

◆ Land Pattern (mm)


Type: CDRH8D43
◆ Specification

Part Name ※	Stamp	Inductance (μ H) 100kHz/1V	D.C.R.(m Ω) Max.(Typ.) (at 20°C)	Saturation Current (A) ※1	Temperature Rise Current (A) ※2
CDRH8D43NP-R68N□	R68	0.68 \pm 35%	9.5(7.0)	9.0	6.9
CDRH8D43NP-1R2N□	1R2	1.2 \pm 35%	12.2(9.0)	8.0	6.2
CDRH8D43NP-2R0N□	2R0	2.0 \pm 30%	14(11)	7.0	5.5
CDRH8D43NP-3R9N□	3R9	3.9 \pm 30%	19(15)	5.9	4.5
CDRH8D43NP-4R7N□	4R7	4.7 \pm 30%	22(17)	5.6	4.1
CDRH8D43NP-6R8N□	6R8	6.8 \pm 30%	25(20)	4.4	3.9
CDRH8D43NP-100N□	100	10 \pm 30%	36(29)	4.0	3.2
CDRH8D43NP-150N□	150	15 \pm 30%	53(42)	2.9	2.3
CDRH8D43NP-220N□	220	22 \pm 30%	75(60)	2.6	1.8
CDRH8D43NP-330N□	330	33 \pm 30%	125(100)	2.2	1.4
CDRH8D43NP-470N□	470	47 \pm 30%	150(120)	1.8	1.3
CDRH8D43NP-680N□	680	68 \pm 30%	240(190)	1.5	1.0
CDRH8D43NP-101N□	101	100 \pm 30%	360(290)	1.3	0.8

※ Description of part name

CDRH8D43NP-R68N□

└─	B	Box
└─	C	Carrier Tape

※1. Saturation current: The DC current at which the inductance decreases to 65% of it's nominal value.

 ※2. Temperature rise current: The DC current at which the temperature rise is $\Delta t=40^{\circ}\text{C}$.($T_a=20^{\circ}\text{C}$).