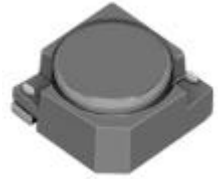


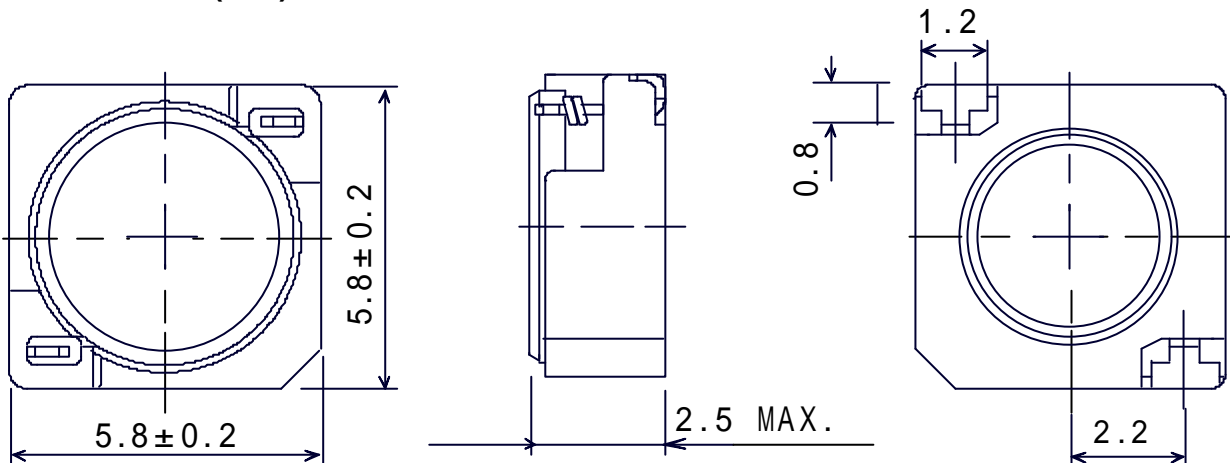
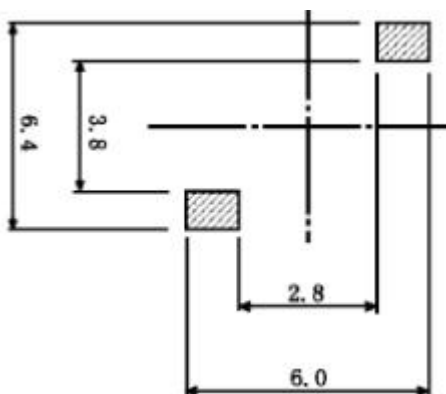
Type: CDC5D23B

Product Description

- 6.0× 6.0mm Max.(L× W), 2.5mm Max. Height.
- Inductance range: 2.2 μ H- 270 μ H
- Rated current range:0.19- 2.16A
- In addition to the standard versions of inductors shown here, custom inductors are available to meet your exact requirements.


Feature

- Magnetically unshielded construction.
- Ideally used in EL drive as EL lamp inverter inductors.
- RoHS Compliance.

Dimensions (mm)

Land Pattern (mm)


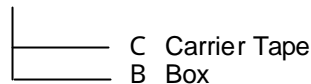
Type: CDC5D23B

Specification

Part Name	Stamp	Inductance (μH) [Within] 100kHz	D.C.R. (m Ω) Max.(Typ.) (at20 $^{\circ}\text{C}$)	Rated current (A) 1
CDC5D23BNP-2R2M	2R2	2.2 $\mu\text{H} \pm 20\%$	39 (30)	2.16
CDC5D23BNP-2R7M	2R7	2.7 $\mu\text{H} \pm 20\%$	44 (34)	2.08
CDC5D23BNP-3R3M	3R3	3.3 $\mu\text{H} \pm 20\%$	49 (38)	1.90
CDC5D23BNP-3R9M	3R9	3.9 $\mu\text{H} \pm 20\%$	56 (43)	1.84
CDC5D23BNP-4R7M	4R7	4.7 $\mu\text{H} \pm 20\%$	62 (48)	1.60
CDC5D23BNP-5R6M	5R6	5.6 $\mu\text{H} \pm 20\%$	78 (60)	1.44
CDC5D23BNP-6R8M	6R8	6.8 $\mu\text{H} \pm 20\%$	91 (70)	1.36
CDC5D23BNP-8R2M	8R2	8.2 $\mu\text{H} \pm 20\%$	103(87)	1.12
CDC5D23BNP-100L	100	10 $\mu\text{H} \pm 15\%$	133(102)	1.04
CDC5D23BNP-120L	120	12 $\mu\text{H} \pm 15\%$	148(114)	0.96
CDC5D23BNP-150K	150	15 $\mu\text{H} \pm 10\%$	166(128)	0.88
CDC5D23BNP-180K	180	18 $\mu\text{H} \pm 10\%$	213(164)	0.77
CDC5D23BNP-220K	220	22 $\mu\text{H} \pm 10\%$	248(191)	0.73
CDC5D23BNP-270K	270	27 $\mu\text{H} \pm 10\%$	328(252)	0.64
CDC5D23BNP-330K	330	33 $\mu\text{H} \pm 10\%$	378(291)	0.58
CDC5D23BNP-390K	390	39 $\mu\text{H} \pm 10\%$	438(337)	0.54
CDC5D23BNP-470K	470	47 $\mu\text{H} \pm 10\%$	546(420)	0.49
CDC5D23BNP-560K	560	56 $\mu\text{H} \pm 10\%$	621(478)	0.45
CDC5D23BNP-680K	680	68 $\mu\text{H} \pm 10\%$	715(550)	0.41
CDC5D23BNP-820K	820	82 $\mu\text{H} \pm 10\%$	1000(772)	0.35
CDC5D23BNP-101K	101	100 $\mu\text{H} \pm 10\%$	1070(820)	0.33
CDC5D23BNP-121K	121	120 $\mu\text{H} \pm 10\%$	1250(960)	0.32
CDC5D23BNP-151K	151	150 $\mu\text{H} \pm 10\%$	1660(1280)	0.26
CDC5D23BNP-181K	181	180 $\mu\text{H} \pm 10\%$	1900(1460)	0.23
CDC5D23BNP-221K	221	220 $\mu\text{H} \pm 10\%$	2440(1880)	0.21
CDC5D23BNP-271K	271	270 $\mu\text{H} \pm 10\%$	2730(2100)	0.19

Description of part name

CDC5D23BNP-2R2M



1 Rated current: The DC current at which the inductance decreases to 90 % of it's initial value or when $t = 40$, whichever is lower($T_a = 20$).