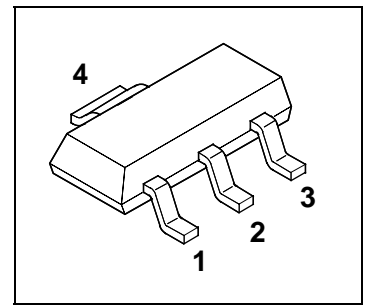


### MiniPROFET

- High-side switch
- Short-circuit protection
- Input protection
- Overtemperature protection with hysteresis
- Overload protection
- Overvoltage protection
- Switching inductive load
- Clamp of negative output voltage with inductive loads
- Undervoltage shutdown
- Maximum current internally limited
- **Electrostatic discharge (ESD)** protection
- Reverse battery protection<sup>1)</sup>



Package: SOT 223

Type	Ordering code
BSP 452	Q67000-S271

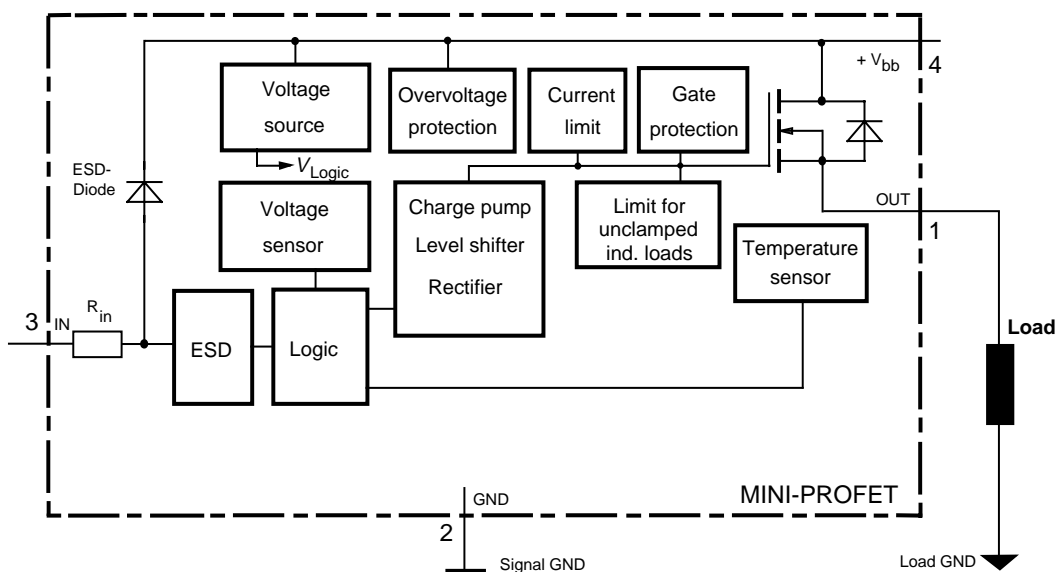
### Application

- $\mu$ C compatible power switch for 12 V DC grounded loads
- All types of resistive, inductive and capacitive loads
- Replaces electromechanical relays and discrete circuits

### General Description

N channel vertical power FET with charge pump, ground referenced CMOS compatible input, monolithically integrated in Smart SIPMOS® technology. Fully protected by embedded protection functions.

### Blockdiagramm:



<sup>1)</sup> With resistor  $R_{GND}=150 \Omega$  in GND connection, resistor in series with IN connections reverse load current limited by connected load.

Pin	Symbol	Function
1	OUT O	Output to the load
2	GND -	Logic ground
3	IN I	Input, activates the power switch in case of logical high signal
4	Vbb +	Positive power supply voltage

**Maximum Ratings** at  $T_j = 25\text{ °C}$  unless otherwise specified

Parameter	Symbol	Values	Unit
Supply voltage	$V_{bb}$	40	V
Load current self-limited	$I_L$	$I_{L(SC)}$	A
Maximum input voltage <sup>2)</sup>	$V_{IN}$	-5.0... $V_{bb}$	V
Maximum input current	$I_{IN}$	$\pm 5$	mA
Inductive load switch-off energy dissipation, single pulse $I_L = 0.5\text{ A}$ , $T_A = 150\text{ °C}$ (not tested, specified by design)	$E_{AS}$	0.5	J
Load dump protection <sup>3)</sup> $V_{LoadDump} = U_A + V_S$ $R_L = 24\Omega$ $R_I = 2\Omega$ , $t_d = 400\text{ ms}$ , IN= low or high, $U_A = 13,5\text{ V}$ $R_L = 80\Omega$ (not tested, specified by design)	$V_{Load\ dump}^{4)}$	60 80	V
Electrostatic discharge capability (ESD) <sup>5)</sup> PIN 3 PIN 1,2,4	$V_{ESD}$	$\pm 1$ $\pm 2$	kV
Operating temperature range	$T_j$	-40 ... +150	°C
Storage temperature range	$T_{stg}$	-55 ... +150	
Max. power dissipation (DC) <sup>6)</sup> $T_A = 25\text{ °C}$	$P_{tot}$	1.8	W
Thermal resistance chip - soldering point:	$R_{thJS}$	7	K/W
chip - ambient: <sup>6)</sup>	$R_{thJA}$	70	

<sup>2)</sup> At  $V_{IN} > V_{bb}$ , the input current is not allowed to exceed  $\pm 5\text{ mA}$ .

<sup>3)</sup> Supply voltages higher than  $V_{bb(AZ)}$  require an external current limit for the GND pin, e.g. with a  $150\ \Omega$  resistor in the GND connection. A resistor for the protection of the input is integrated.

<sup>4)</sup>  $V_{Load\ dump}$  is setup without the DUT connected to the generator per ISO 7637-1 and DIN 40839

<sup>5)</sup> HBM according to MIL-STD 883D, Methode 3015.7

<sup>6)</sup> BSP 452 on epoxy pcb 40 mm x 40 mm x 1.5 mm with  $6\text{ cm}^2$  copper area for  $V_{bb}$  connection



## Electrical Characteristics

Parameter and Conditions at $T_j = 25^\circ\text{C}$ , $V_{bb} = 13.5\text{V}$ unless otherwise specified	Symbol	Values			Unit
		min	typ	max	

## Load Switching Capabilities and Characteristics

On-state resistance (pin 4 to 1) $I_L = 0.5\text{ A}$ , $V_{in} = \text{high}$	$T_j = 25^\circ\text{C}$ $T_j = 150^\circ\text{C}$	$R_{ON}$	-- --	0.16 --	0.2 0.4	$\Omega$
Nominal load current (pin 4 to 1) <sup>7)</sup> ISO Standard: $V_{ON} = V_{bb} - V_{OUT} = 0.5\text{ V}$ $T_S = 85^\circ\text{C}$		$I_{L(ISO)}$	0.7	--	--	A
Turn-on time to 90% $V_{OUT}$		$t_{on}$	--	60	100	$\mu\text{s}$
Turn-off time to 10% $V_{OUT}$		$t_{off}$	--	60	150	$\mu\text{s}$
Slew rate on 10 to 30% $V_{OUT}$ , $R_L = 24\ \Omega$		$dV/dt_{on}$	--	2	4	$\text{V}/\mu\text{s}$
Slew rate off 70 to 40% $V_{OUT}$ , $R_L = 24\ \Omega$		$-dV/dt_{off}$	--	2	4	$\text{V}/\mu\text{s}$

## Input

Allowable input voltage range, (pin 3 to 2)		$V_{IN}$	-3.0	--	$V_{bb}$	V
Input turn-on threshold voltage  $T_j = -40\dots+150^\circ\text{C}$		$V_{IN(T+)}$	--	--	3.5	V
Input turn-off threshold voltage  $T_j = -40\dots+150^\circ\text{C}$		$V_{IN(T-)}$	1.5	--	--	V
Input threshold hysteresis		$\Delta V_{IN(T)}$	--	0.5	--	V
Off state input current (pin 3) $V_{IN(off)} = 1.2\text{ V}$ $T_j = -40\dots+150^\circ\text{C}$		$I_{IN(off)}$	10	--	60	$\mu\text{A}$
On state input current (pin 3) $V_{IN(on)} = 3.0\text{ V to } V_{bb}$ $T_j = -40\dots+150^\circ\text{C}$		$I_{IN(on)}$	10	--	100	$\mu\text{A}$
Input resistance		$R_{IN}$	1.5	2.8	3.5	$\text{k}\Omega$

<sup>7)</sup>  $I_{L(ISO)}$  is limited by current limitation, see  $I_{L(SC)}$

Parameter and Conditions at $T_j = 25^\circ\text{C}$ , $V_{bb} = 13.5\text{V}$ unless otherwise specified	Symbol	Values			Unit	
		min	typ	max		
<b>Operating Parameters</b>						
Operating voltage <sup>8)</sup>	$T_j = -40\dots+150^\circ\text{C}$	$V_{bb(\text{on})}$	5.0	--	34	V
Undervoltage shutdown	$T_j = -40\dots+150^\circ\text{C}$	$V_{bb(\text{under})}$	3.5	--	5	V
Undervoltage restart	$T_i = -40\dots+25^\circ\text{C}$ $T_j = +150^\circ\text{C}$	$V_{bb(\text{u rst})}$	--	--	6.5 7.0	V
Undervoltage restart of charge pump see diagram page 7		$V_{bb(\text{ucp})}$	--	5.6	7	V
Undervoltage hysteresis $\Delta V_{bb(\text{under})} = V_{bb(\text{u rst})} - V_{bb(\text{under})}$		$\Delta V_{bb(\text{under})}$	--	0.3	--	V
Overshoot shutdown	$T_j = -40\dots+150^\circ\text{C}$	$V_{bb(\text{over})}$	34	--	42	V
Overshoot restart	$T_j = -40\dots+150^\circ\text{C}$	$V_{bb(\text{o rst})}$	33	--	--	V
Overshoot hysteresis	$T_j = -40\dots+150^\circ\text{C}$	$\Delta V_{bb(\text{over})}$	--	0.7	--	V
Standby current (pin 4), $V_{in} = \text{low}$	$T_j = -40\dots+150^\circ\text{C}$	$I_{bb(\text{off})}$	--	10	25	$\mu\text{A}$
Operating current (pin 2), $V_{in} = 5\text{V}$		$I_{\text{GND}}$	--	1	1.6	mA
leakage current (pin 1) $V_{in} = \text{low}$	$T_j = -40\dots+25^\circ\text{C}$ $T_j = 150^\circ\text{C}$	$I_{L(\text{off})}$	--	2	5 7	$\mu\text{A}$

## Protection Functions

Current limit (pin 4 to 1)	$T_j = 25^\circ\text{C}$	$I_{L(\text{SC})}$	0.7	1.5	2	A
$V_{bb} = 20\text{V}$	$T_j = -40\dots+150^\circ\text{C}$		0.7	--	2.4	
Overshoot protection $I_{bb}=4\text{mA}$	$T_j = -40\dots+150^\circ\text{C}$	$V_{bb(\text{AZ})}$	41	--	--	V
Output clamp (ind. load switch off) at $V_{\text{OUT}}=V_{bb}-V_{\text{ON(CL)}}$ , $I_{bb} = 4\text{mA}$		$V_{\text{ON(CL)}}$	41	47	--	V
Thermal overload trip temperature		$T_{jt}$	150	--	--	$^\circ\text{C}$
Thermal hysteresis		$\Delta T_{jt}$	--	10	--	K
Inductive load switch-off energy dissipation <sup>9)</sup> $T_{j \text{ Start}} = 150^\circ\text{C}$ , single pulse, $I_L = 0.5\text{A}$ , $V_{bb} = 12\text{V}$ (not tested, specified by design)		$E_{\text{AS}}$	--	--	0.5	J
Reverse battery (pin 4 to 2) <sup>10)</sup> (not tested, specified by design)		$-V_{bb}$	--	--	30	V

<sup>8)</sup> At supply voltage increase up to  $V_{bb} = 5.6\text{V}$  typ without charge pump,  $V_{\text{OUT}} \approx V_{bb} - 2\text{V}$

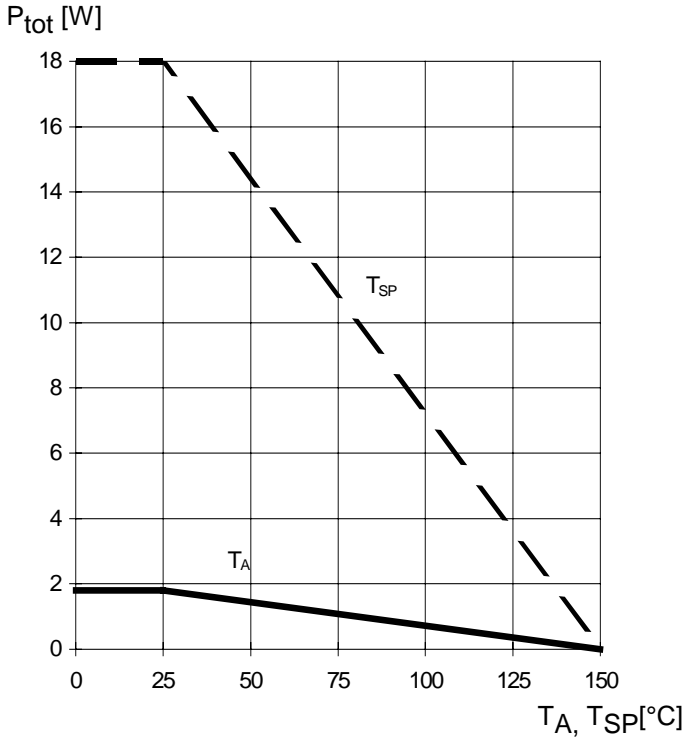
<sup>9)</sup> While demagnetizing load inductance, dissipated energy in PROFET is  $E_{\text{AS}} = \int V_{\text{ON(CL)}} \cdot i_L(t) dt$ , approx.

$$E_{\text{AS}} = \frac{1}{2} \cdot L \cdot I_L^2 \cdot \left( \frac{V_{\text{ON(CL)}}}{V_{\text{ON(CL)}} - V_{bb}} \right)$$

<sup>10)</sup> Requires  $150\ \Omega$  resistor in GND connection. Reverse load current (through intrinsic drain-source diode) is normally limited by the connected load.

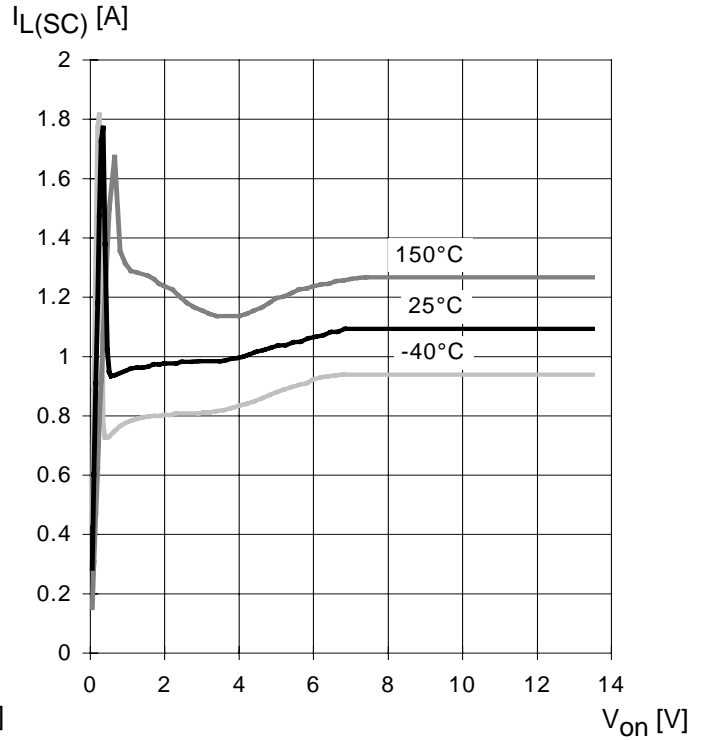
**Max. allowable power dissipation**

$P_{tot} = f(T_A, T_{SP})$



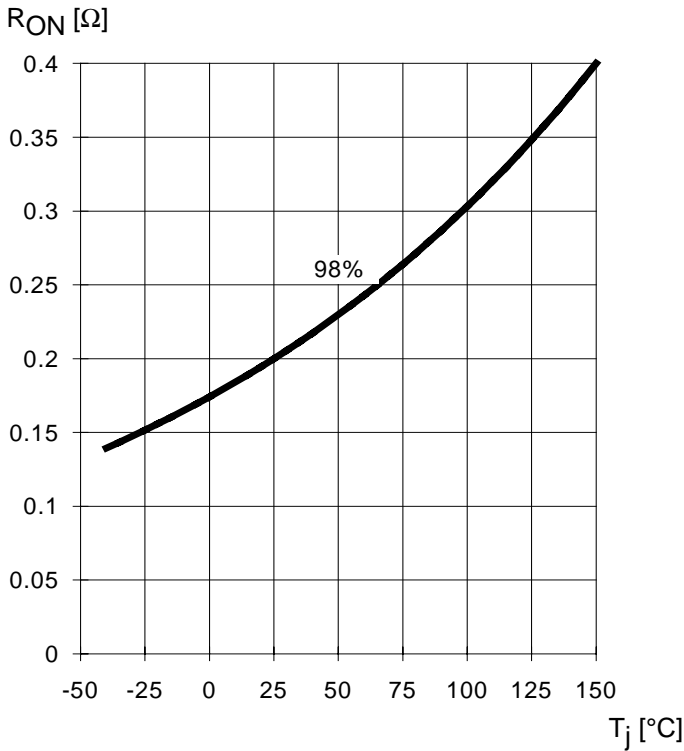
**Current limit characteristic**

$I_{L(SC)} = f(V_{on}); (V_{on} \text{ see testcircuit})$



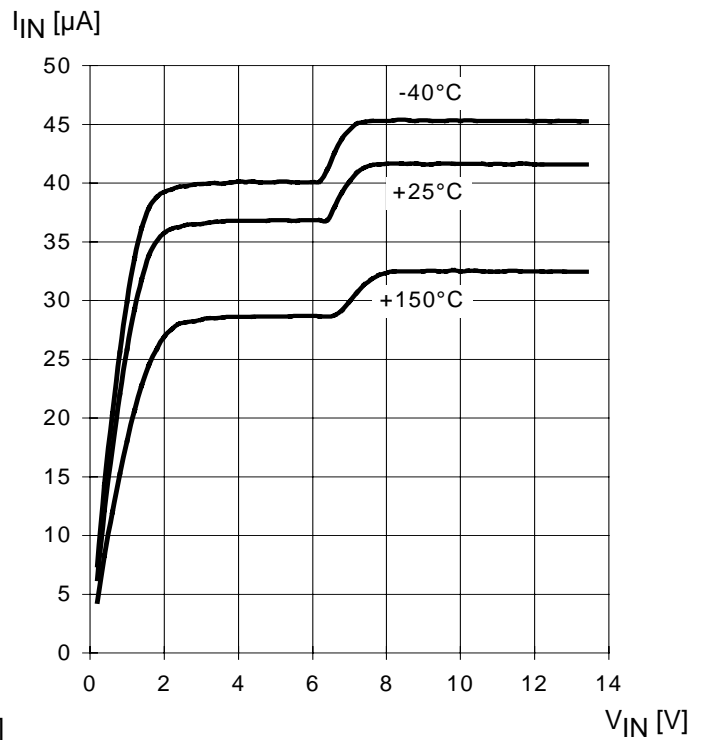
**On state resistance (Vbb-pin to OUT-pin)**

$R_{ON} = f(T_j); V_{bb} = 13.5 \text{ V}; I_L = 0.5 \text{ A}$



**Typ. input current**

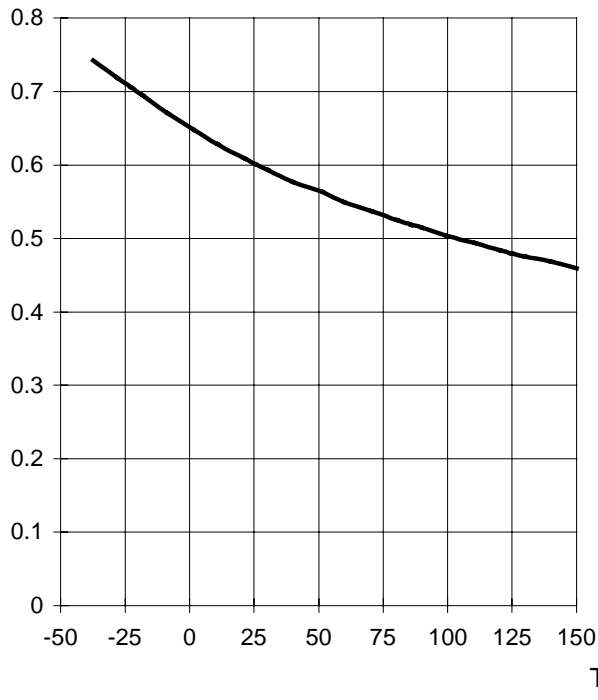
$I_{IN} = f(V_{IN}); V_{bb} = 13.5 \text{ V}$



### Typ. operating current

$I_{GND} = f(T_j)$ ;  $V_{bb} = 13,5\text{ V}$ ;  $V_{IN} = \text{high}$

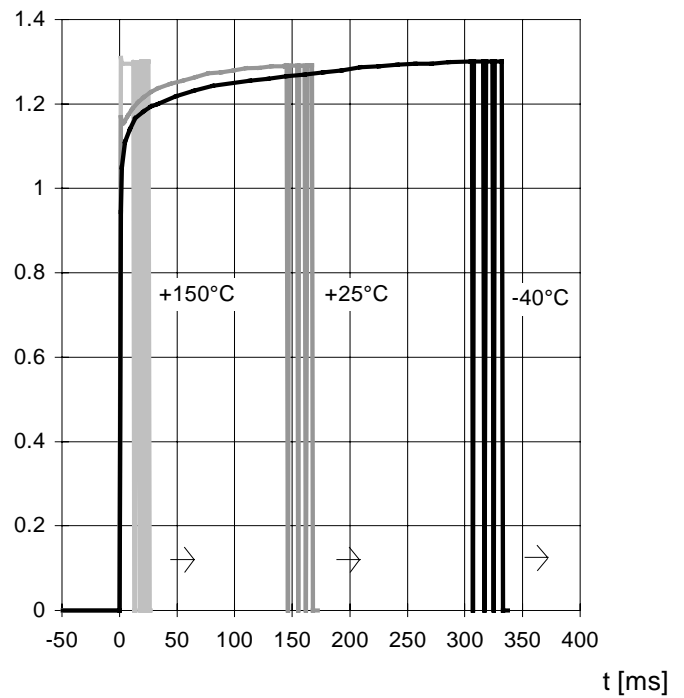
$I_{GND}$  [mA]



### Typ. overload current

$I_{L(\text{lim})} = f(t)$ ;  $V_{bb} = 13,5\text{ V}$ , no heatsink, Param.:  $T_{j\text{start}}$

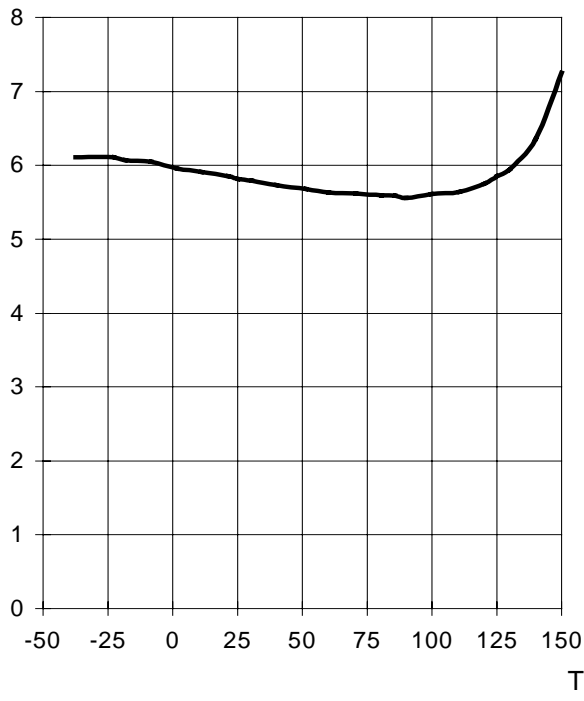
$I_{L(\text{lim})}$  [A]



### Typ. standby current

$I_{bb(\text{off})} = f(T_j)$ ;  $V_{bb} = 13,5\text{ V}$ ;  $V_{IN} = \text{low}$

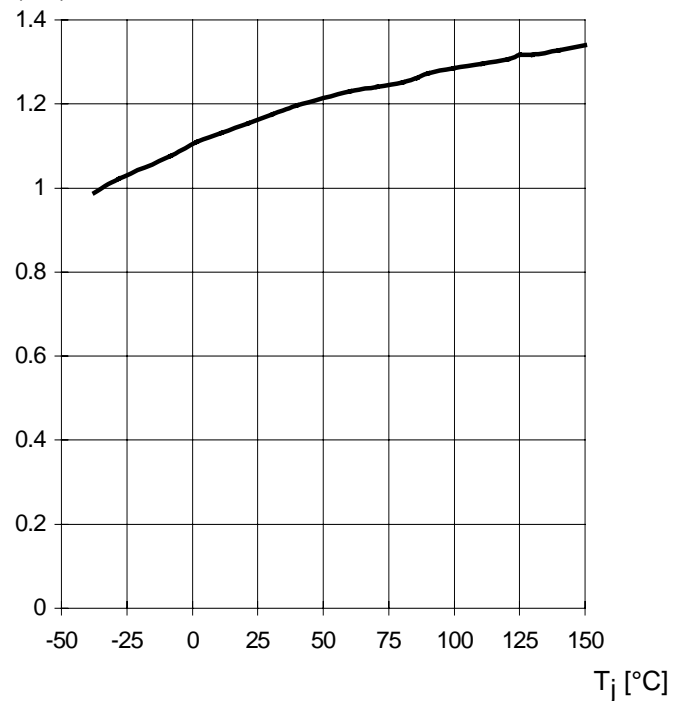
$I_{bb(\text{off})}$  [µA]



### Short circuit current

$I_{L(\text{SC})} = f(T_j)$ ;  $V_{bb} = 13,5\text{ V}$

$I_{L(\text{SC})}$  [A]



Typ. input turn on voltage threshold

$$V_{IN(T+)} = f(T_j);$$

$V_{IN(T+)} [V]$

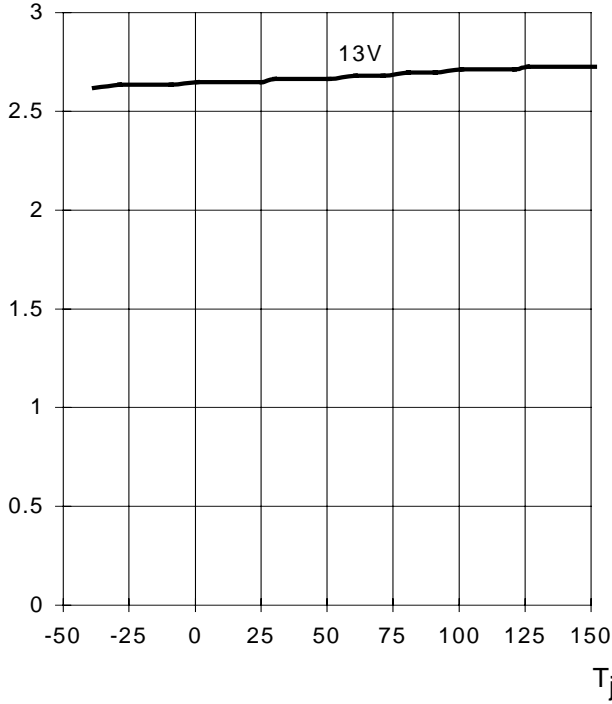
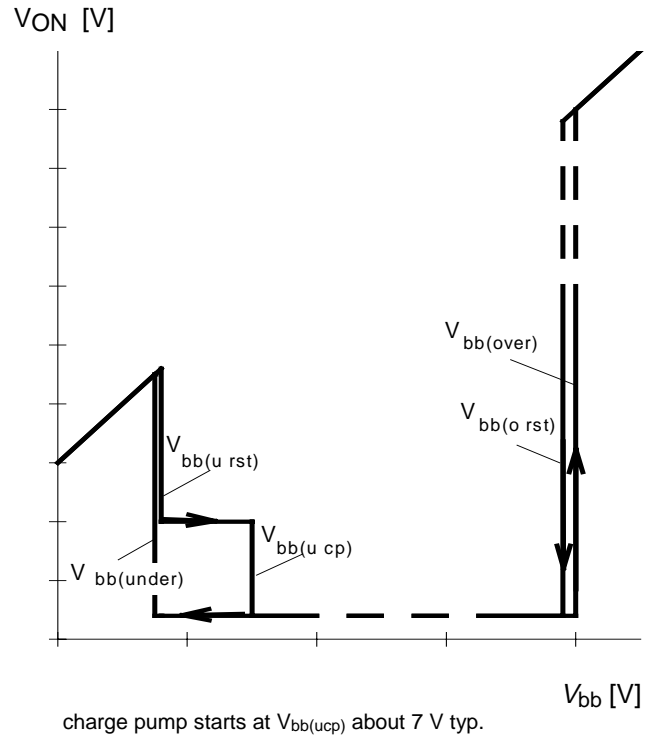


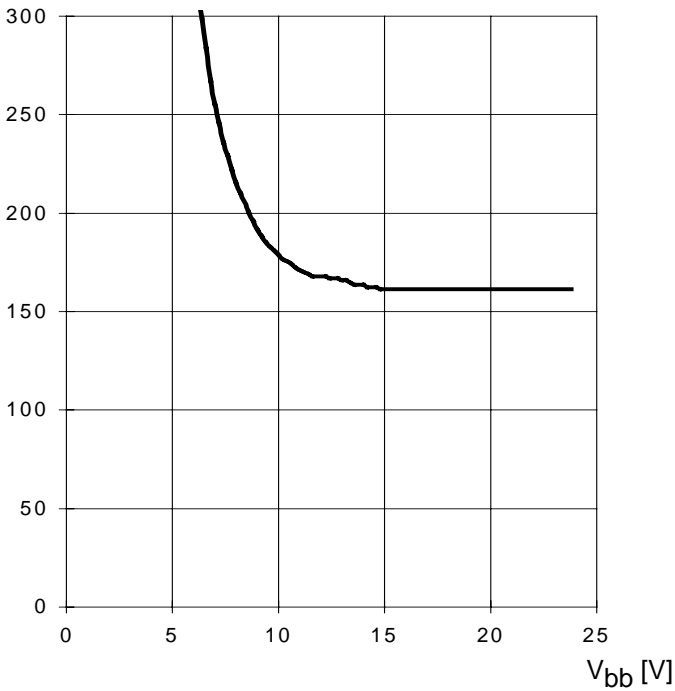
Figure 6: Undervoltage restart of charge pump



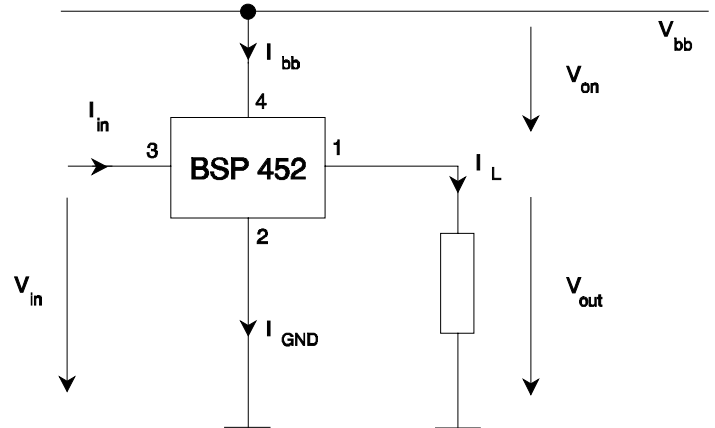
Typ. on-state resistance (Vbb-Pin to Out-Pin)

$$R_{ON} = f(V_{bb}, I_L); I_L = 0.5A, T_j = 25^{\circ}C$$

$R_{ON} [m\Omega]$



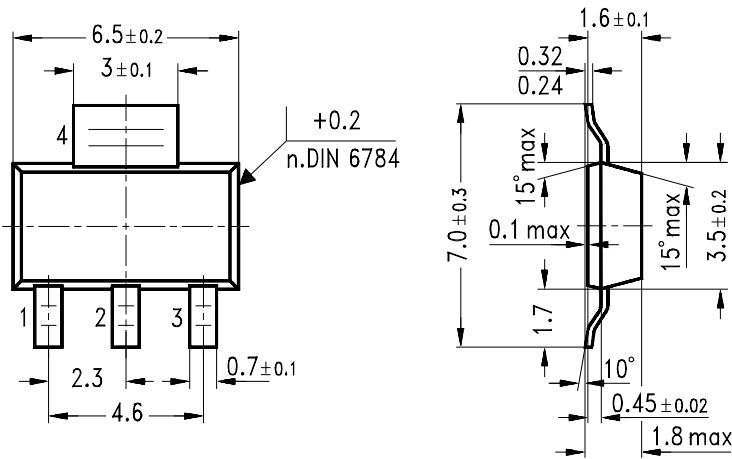
Test circuit



## Package:

all dimensions in mm.

SOT 223/4:



GPS05560

Published by Siemens AG,  
Bereich Halbleiter Vertrieb,  
Werbung, Balanstraße 73,  
81541 München

© Siemens AG 1997  
All Rights Reserved.

### Attention please!

As far as patents or other rights of third parties are concerned, liability is only assumed for components, not for applications, processes and circuits implemented within components or assemblies.

The information describes a type of component and shall not be considered as warranted characteristics.

Terms of delivery and rights to change design reserved.

For questions on technology, delivery and prices please contact the Semiconductor Group Offices in Germany or the Siemens Companies and Representatives worldwide (see address list).

Due to technical requirements components may contain dangerous substances. For information on the types in question please contact your nearest Siemens Office, Semiconductor Group.

Siemens AG is an approved CECC manufacturer.

### Packing

Please use the recycling operators known to you. We can also help you - get in touch with your nearest sales office. By agreement we will take packing material back, if it is sorted. You must bear the costs of transport.

For packing material that is returned to us unsorted or which we are not obliged to accept, we shall have to invoice you for any costs incurred.

### Components used in life-support devices or systems must be expressly authorized for such purpose!

Critical components<sup>1)</sup> of the Semiconductor Group of Siemens AG, may only be used in life-support devices or systems<sup>2)</sup> with the express written approval of the Semiconductor Group of Siemens AG.

1) A critical component is a component used in a life-support device or system whose failure can reasonably be expected to cause the failure of that life-support device or system, or to affect its safety or effectiveness of that device or system.

2) Life support devices or systems are intended (a) to be implanted in the human body, or (b) to support and/or maintain and sustain and/or protect human life. If they fail, it is reasonable to assume that the health of the user or other persons may be endangered.